

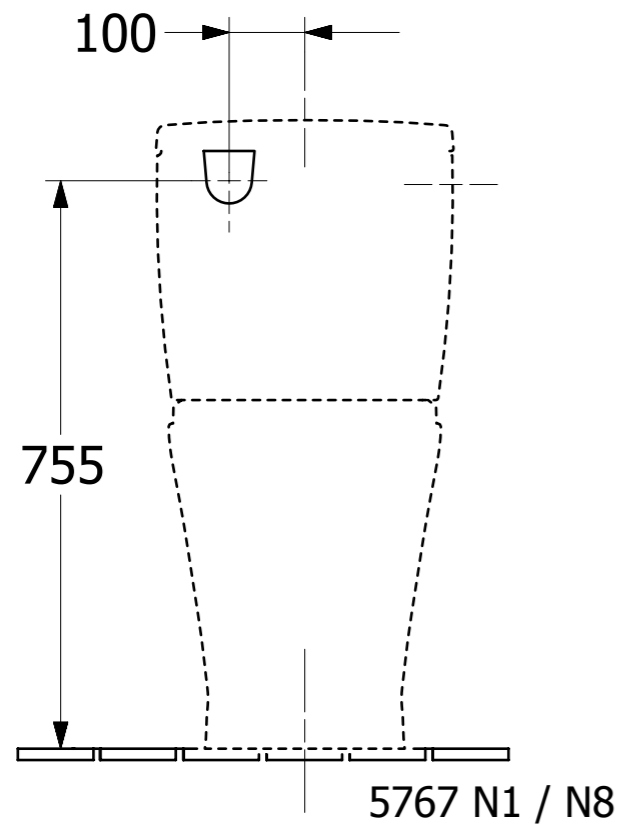
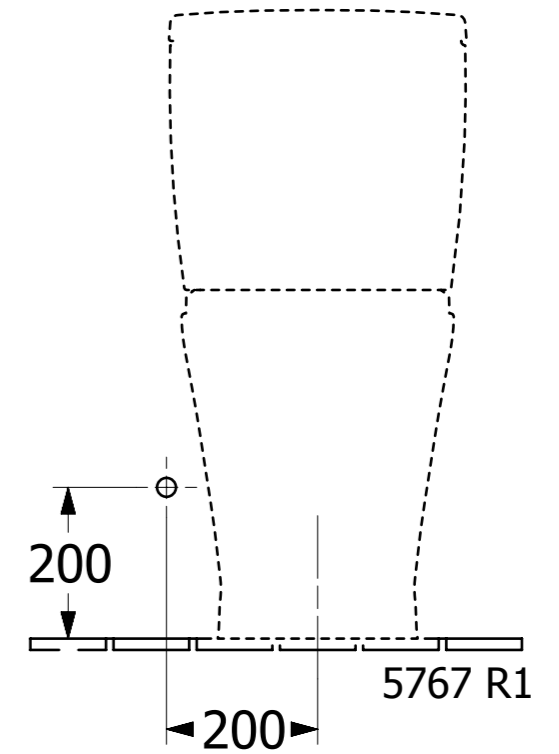



- *  8701 00 = 180 - 270
- *  8711 00 = 90 - 180



<p>O.novo 4606 R0 5767 N1 / N8 / R1</p>	
<p>V02 /31.07.2023</p>	<p>Villeroy & Boch 1748</p>