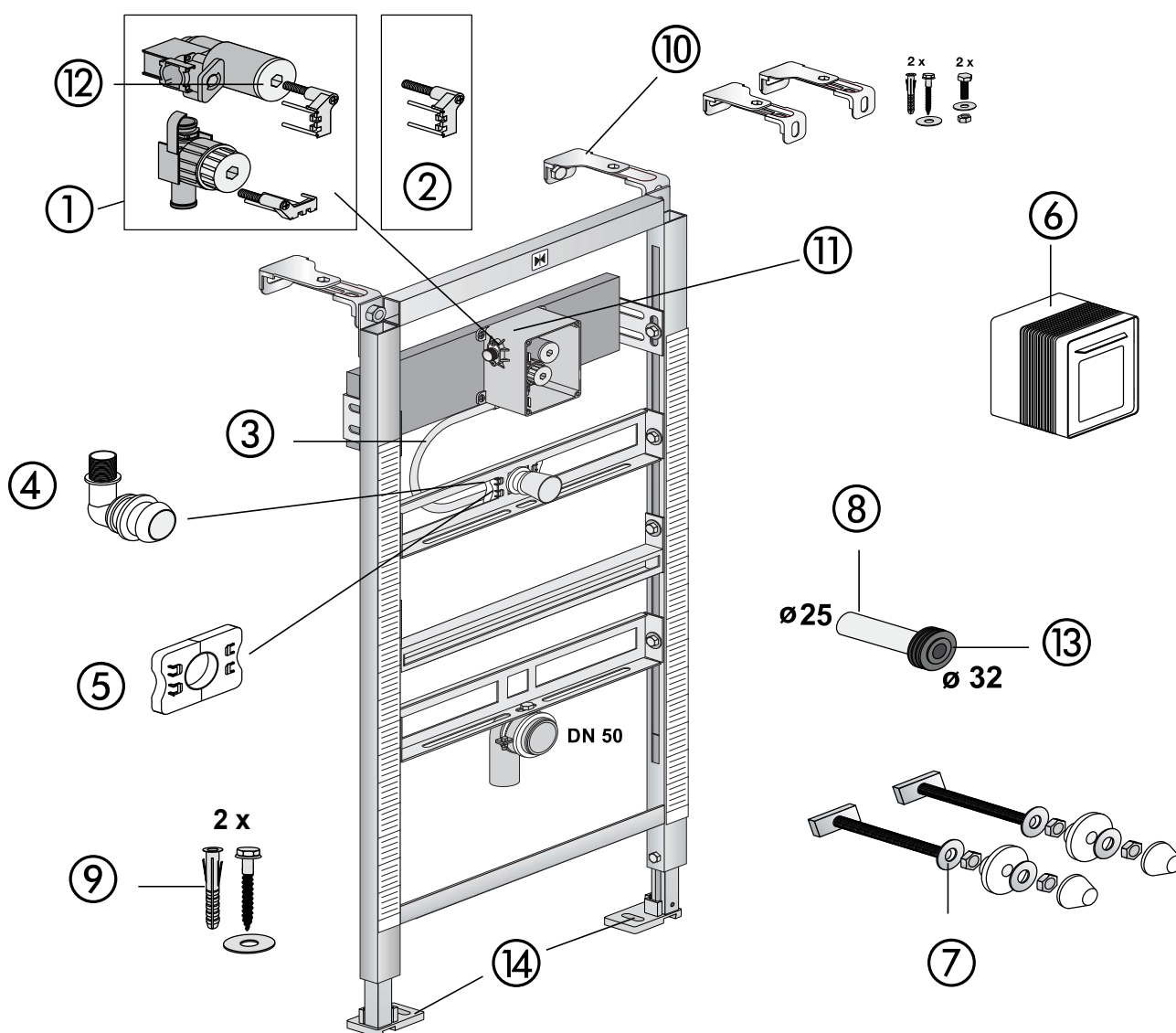


# ViConnect Urinal element install. height 112 cm (12 cm) - 92198900



No.	Name	article number
1	ViConnect Water duct incl. securing clamp	9221 68 00
2	ViConnect Securing clamp	9221 79 00
3	ViConnect Flexible hose 400 mm, DN 13	9221 94 00
4	ViConnect Urinal bracket	9221 70 00
5	ViConnect Clamps 2 pieces	9221 71 00
6	ViConnect Tiling set	9221 38 00
7	ViConnect Urinal fastening set	9221 73 00
8	ViConnect Urinal inlet fitting, plastic	9221 74 00
9	ViConnect fastening set	9221 75 00
10	ViConnect Wall brackets	9221 11 00
11	ViConnect Urinal roughing-in box	9221 82 00
12	ViConnect Filter insert plug	9221 76 00
13	ViConnect Urinal flush pipe joint	9221 77 00
14	ViConnect foot plates (1 pair)	9217 36 00