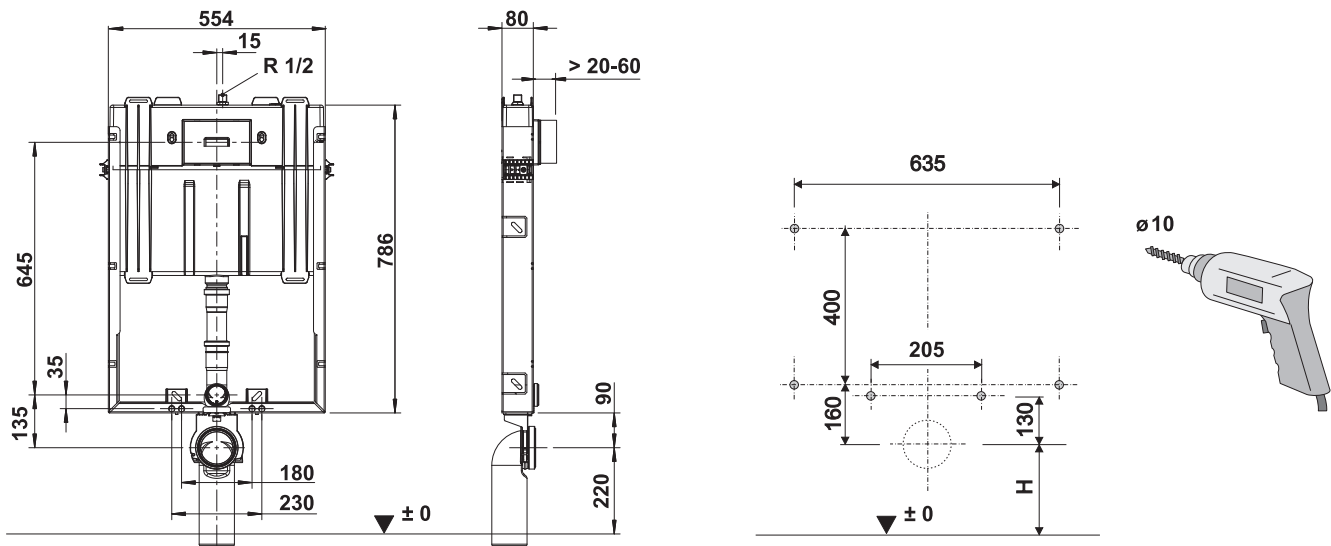
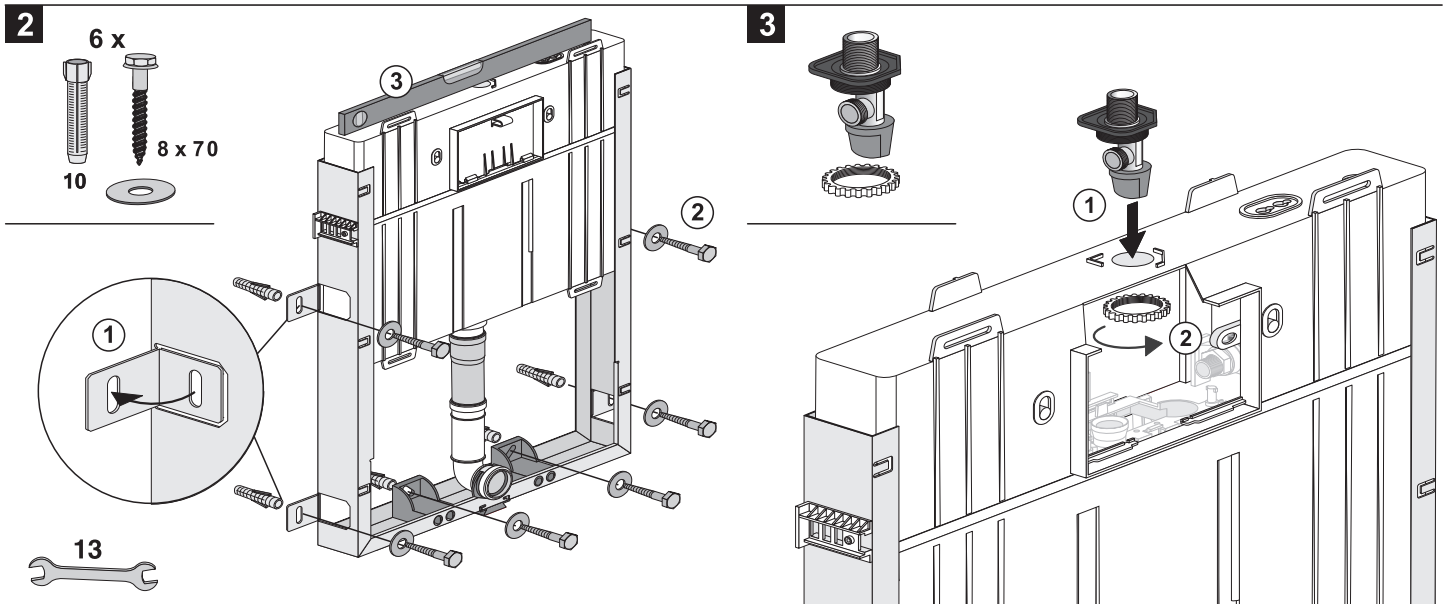


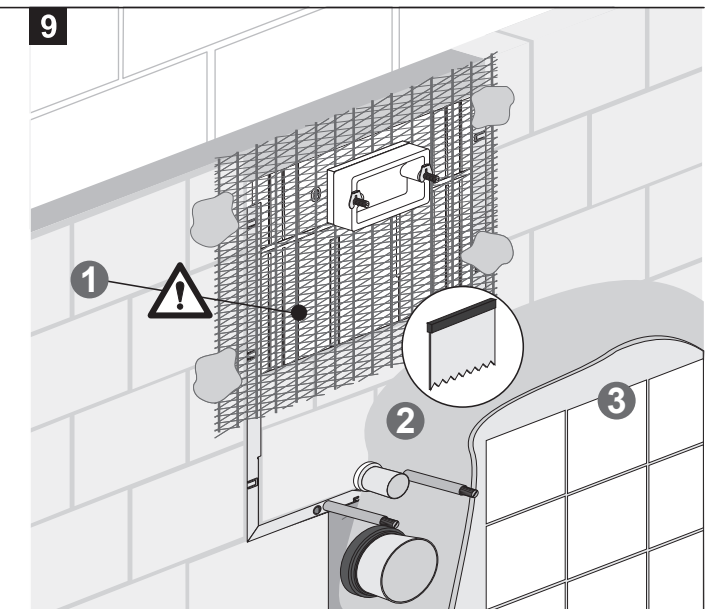
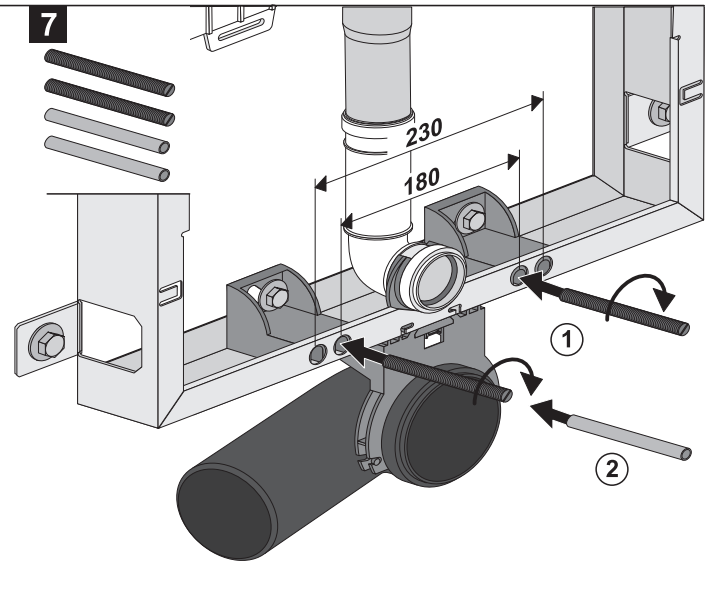
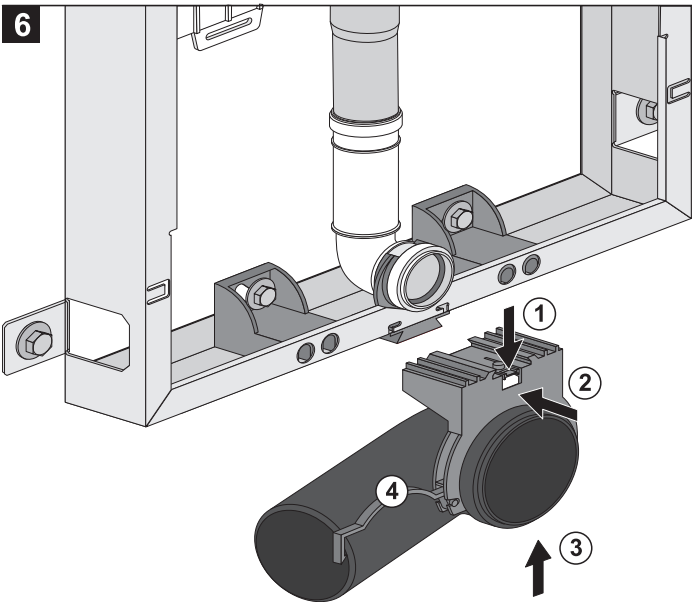
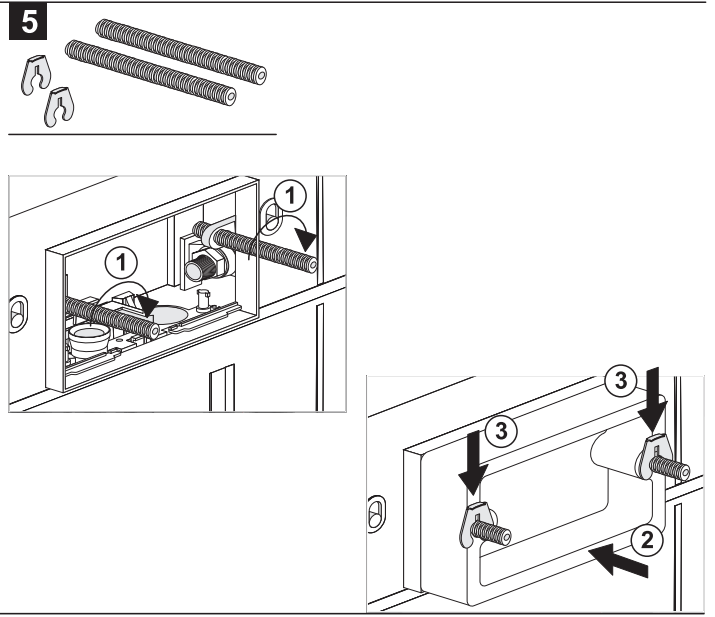
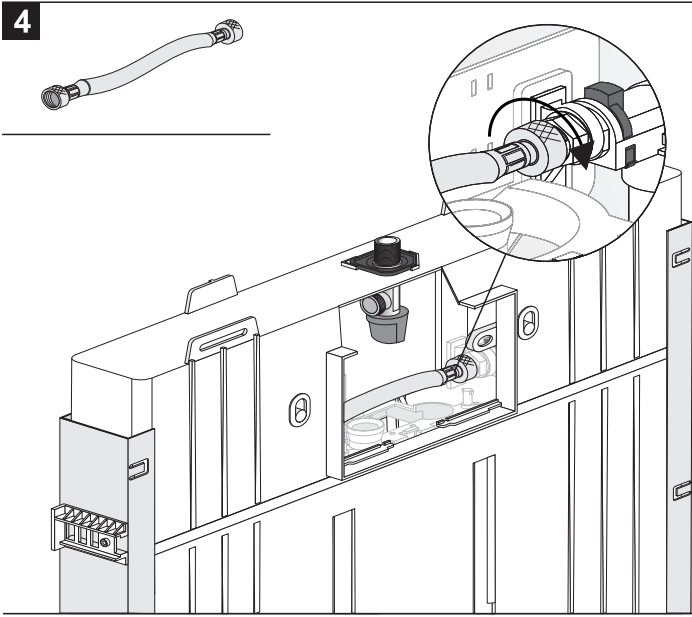
1

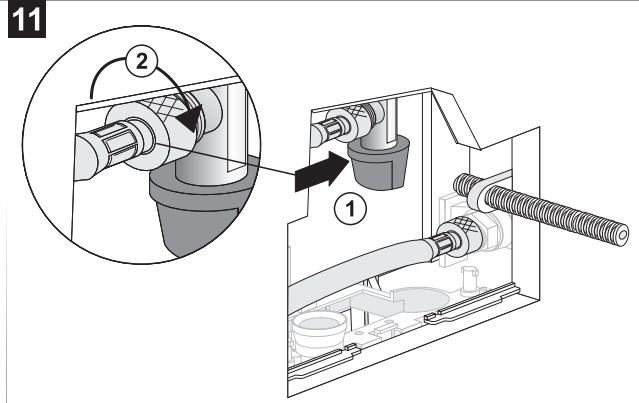
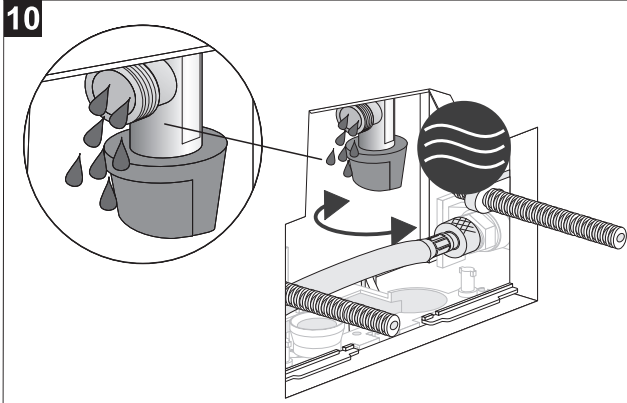


2

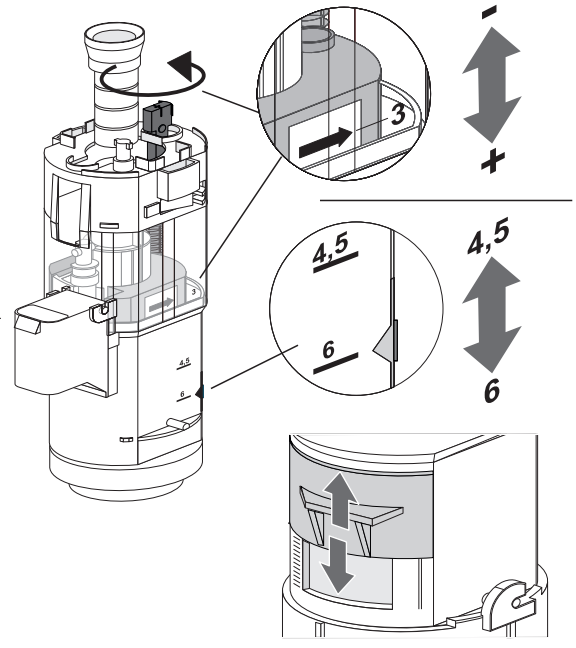
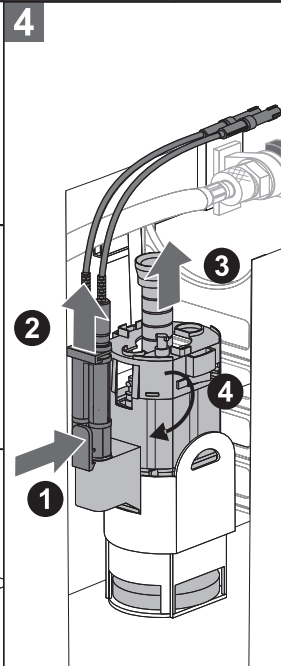
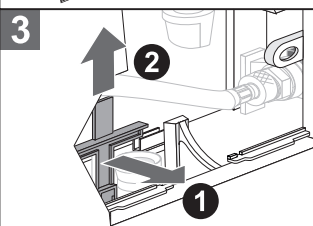
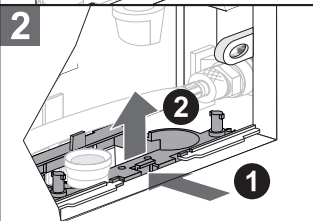
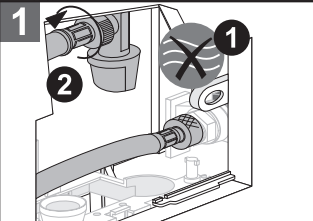
3



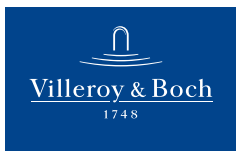




Service



CE
Villeroy & Boch AG
Saarferstraße 1
D - 66693 Mettlach
14
DoP Nr. M244-01
CC-80-S-FO-2V-2C
Personal hygiene
EN 14055-CL1-6-NLI-VR11



*Villeroy & Boch AG
Bathroom and Wellness Division
Corporate Headquarters
66693 Mettlach*