



Quality of life since 1825

Washbasin mixer Estetic

Matt white

Product features

ECO-STOP



- Organic design idiom
- Adjustable max. temperature
- Available in chrome, Matt black and Matt white

Article numbers

Art-no.
GB41218051 41

EAN
7393792230414

Packaging information

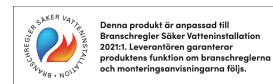
Length: 285 mm | Width: 265 mm | Height: 95 mm
Weight: 1.65 kg
Weight: 1 pc

Assembling & Care

Prior to installation the lines must be flushed up to the faucet. The faucet is connected with the cold water line on the right and the hot water line on the left. Water pressure: max 1000 kPa, min 50kPa. Hot water temperature: max 70°C, min 45°C. Please note that we are not liable for damage resulting from improper installation.

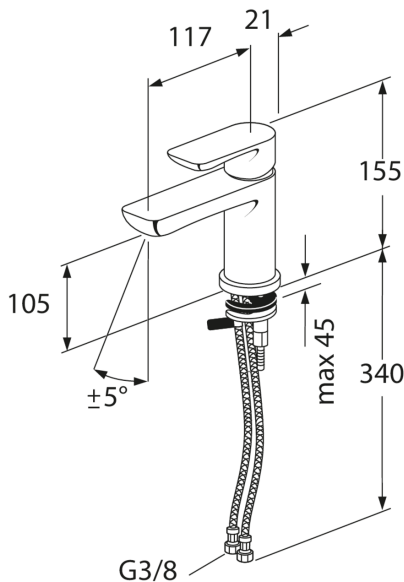
Energy labeling and certifications

- Complies with Safe Water installation requirements.

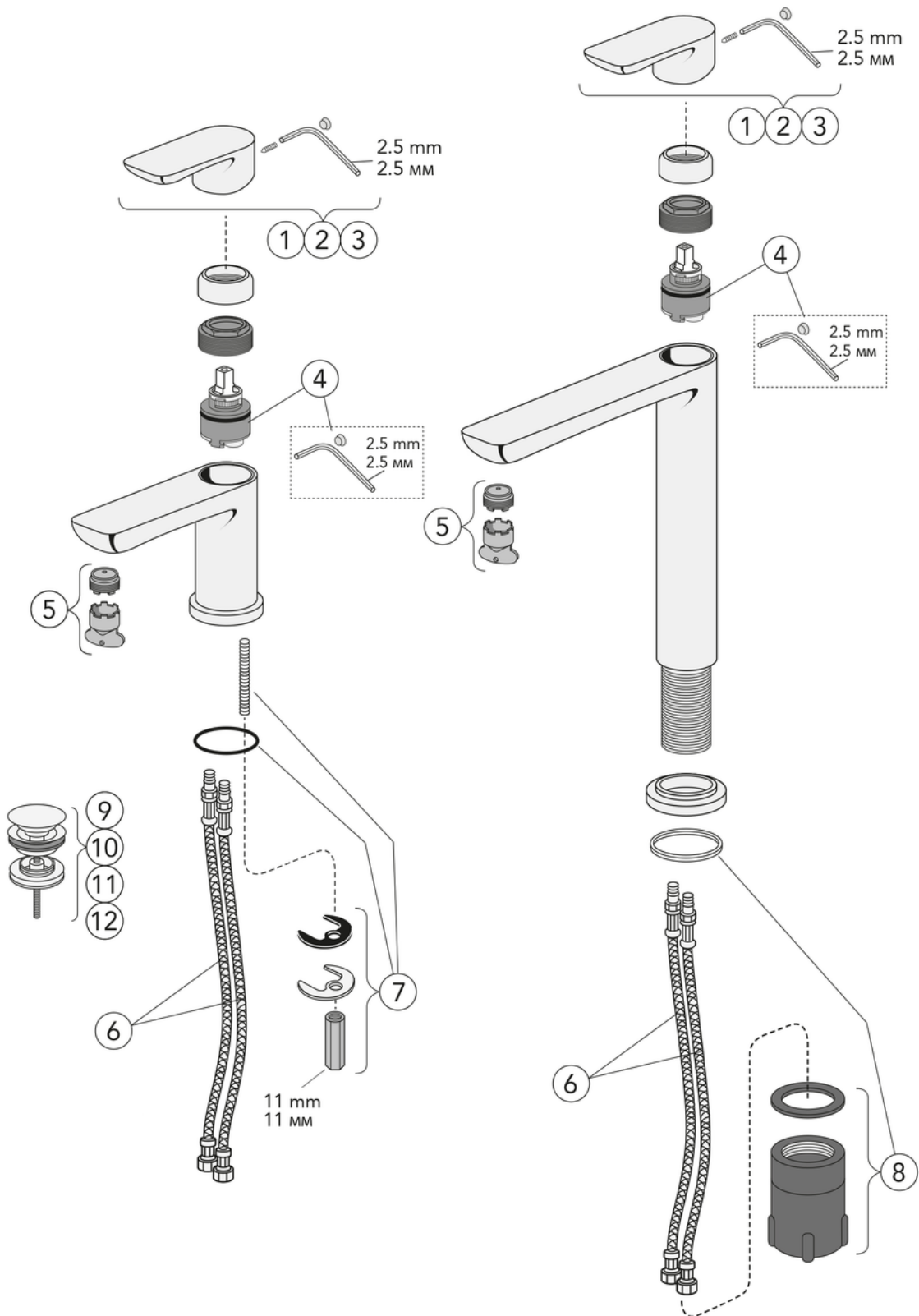


Technical information

- Max. tap capacity (at 300 kPa): 0,13 l/s
- Pressure loss with flow (0,1 l/s) 128 kPa



Spare parts



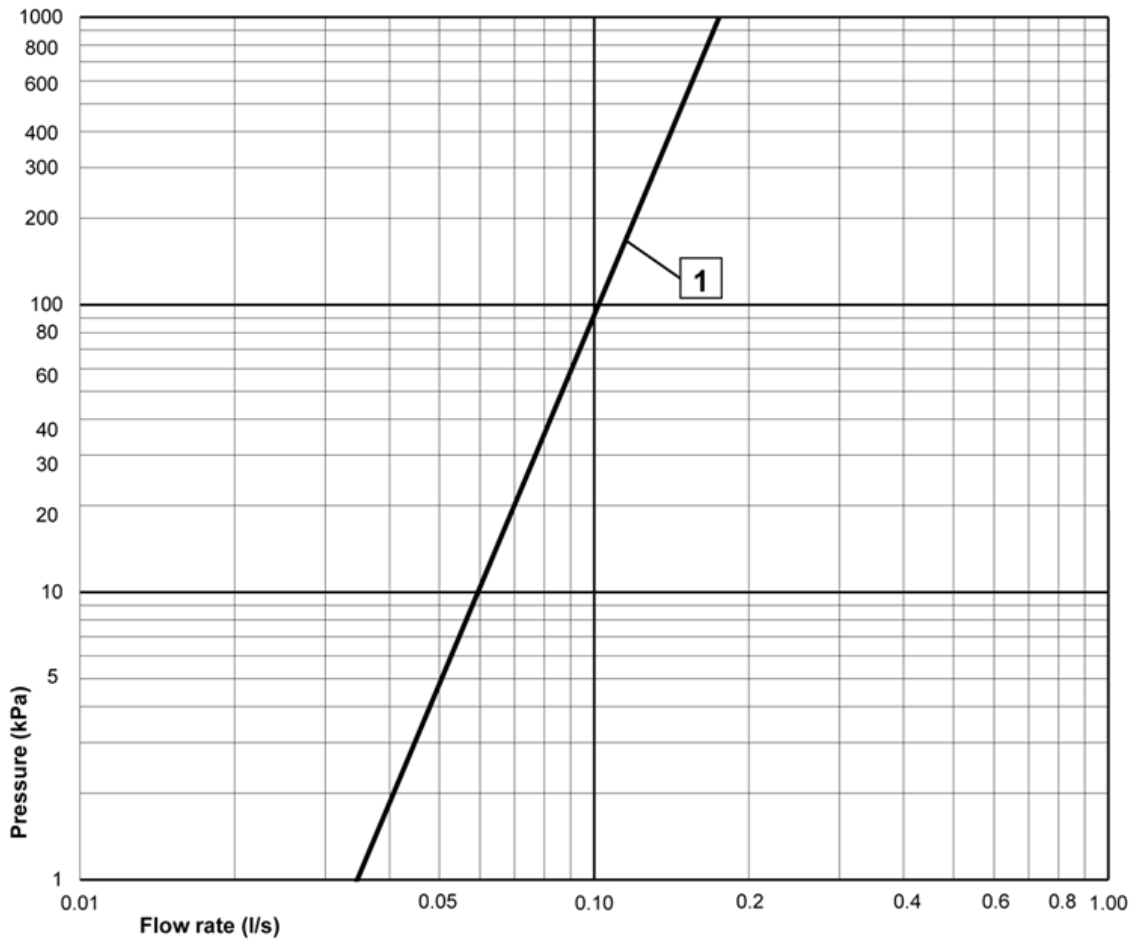
No.	Product	Art-no.
1	Lever, Estetic	GB41639332 01
2	Lever wash basin mixer Estetic	GB41639332 53
3	Lever, Estetic	GB41639332 41
4	Ceramic pack	GB41639329 01
5	Aerator,	GB41639333 01
6	SPX hose	GB41636726 02
7	Fittings	GB41639327 01
8	Fittings	GB41639331 01
9	Pushdown valve	GB41636575 01
10	Push-down valve	GB41636575 23
11	Pushdown valve, Estetic	GB41636575 25
12	Push-down valve	GB41636575 41



SMARTER
BATHROOMS

FLOW CHART

ESTETIC WASHBASIN MIXER



1 Max flow



A MEMBER OF THE
VILLEROY & BOCH GROUP

Villeroy & Boch Gustavsberg AB
Box 400, 134 29 Gustavsberg
Phone +46 (0)8-570 391 00
www.gustavsberg.com | info@gustavsberg.com