



Quality of life since 1825

Shower mixer Nautic

Outlet downward, 150 c-c.

Product features

SAFE TOUCH



- Safe Touch reduces the heat on the front of the faucet
- Maintains even water temperature
- Can be expanded with bathtub spout

Article numbers

Art-no.
GB41215304

EAN
7393792225625

Packaging information

Length: 365 mm | Width: 105 mm | Height: 70 mm

Weight: 1.91 kg

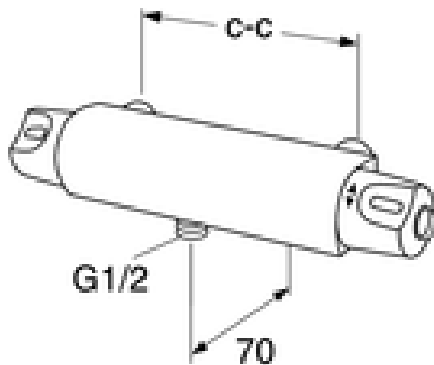
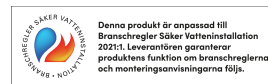
Weight: 1 pc

Assembling & Care

Prior to installation the lines must be flushed up to the faucet. The faucet is connected with the cold water line on the right and the hot water line on the left. Water pressure: max 1000 kPa, min 50kPa. Hot water temperature: max 80°C, min 45°C. Please note that we are not liable for damage resulting from improper installation.

Energy labeling and certifications

- Complies with Safe Water installation requirements.

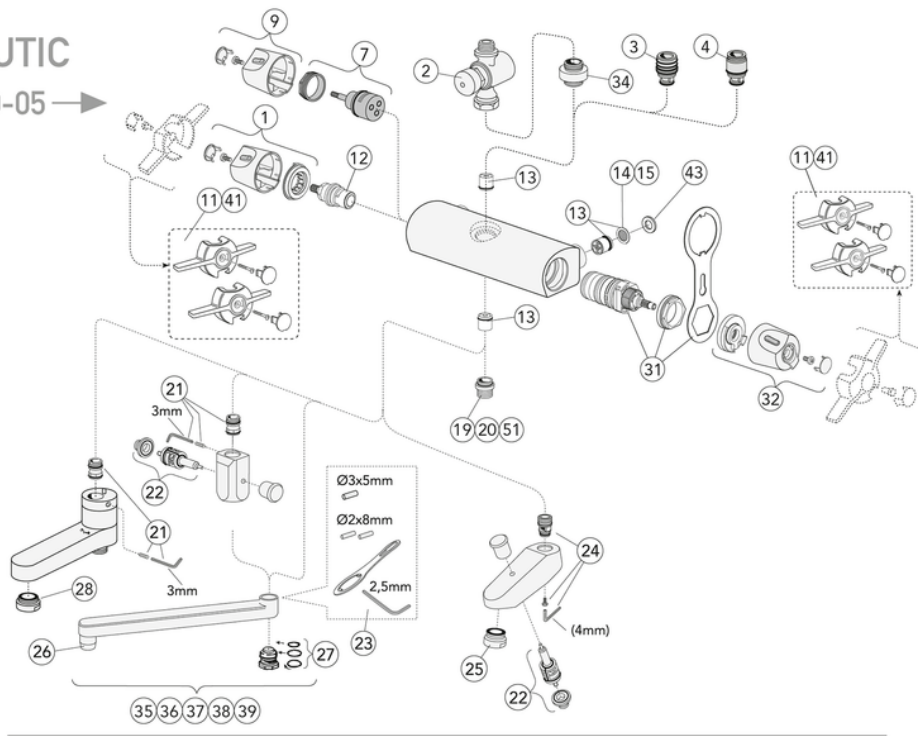


Technical information

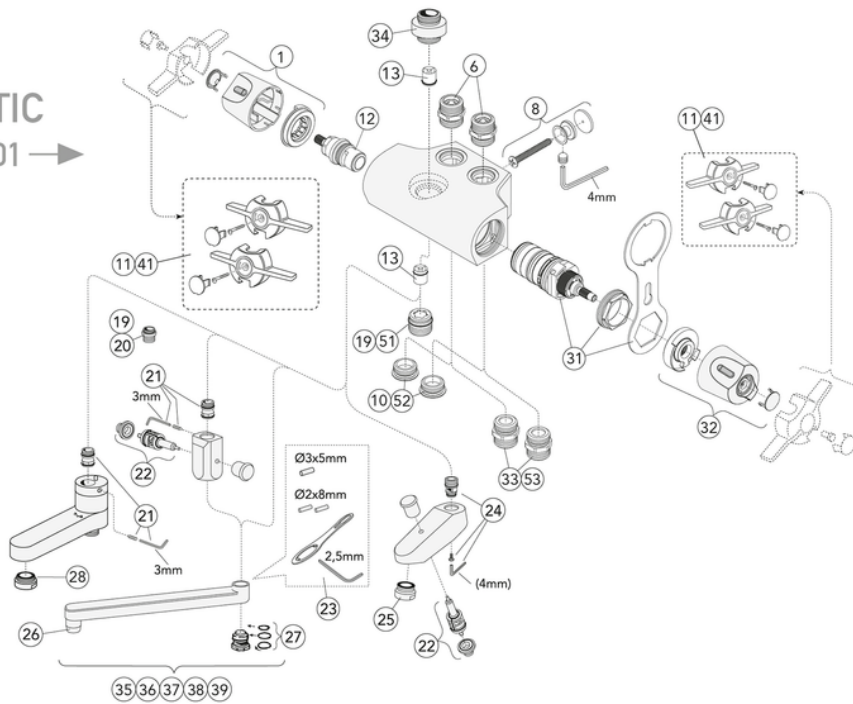
- Max. tap capacity (at 300 kPa): 0,46 l/s
- Pressure loss with flow (0,2 l/s) 57 kPa
- Standard connection dimension: 150 c-c

Spare parts

NAUTIC
2010-05 →



NAUTIC
2012-01 →



ExplodedView Nautic_thermostatic_mixers (Rev 2. 2020-11-18)

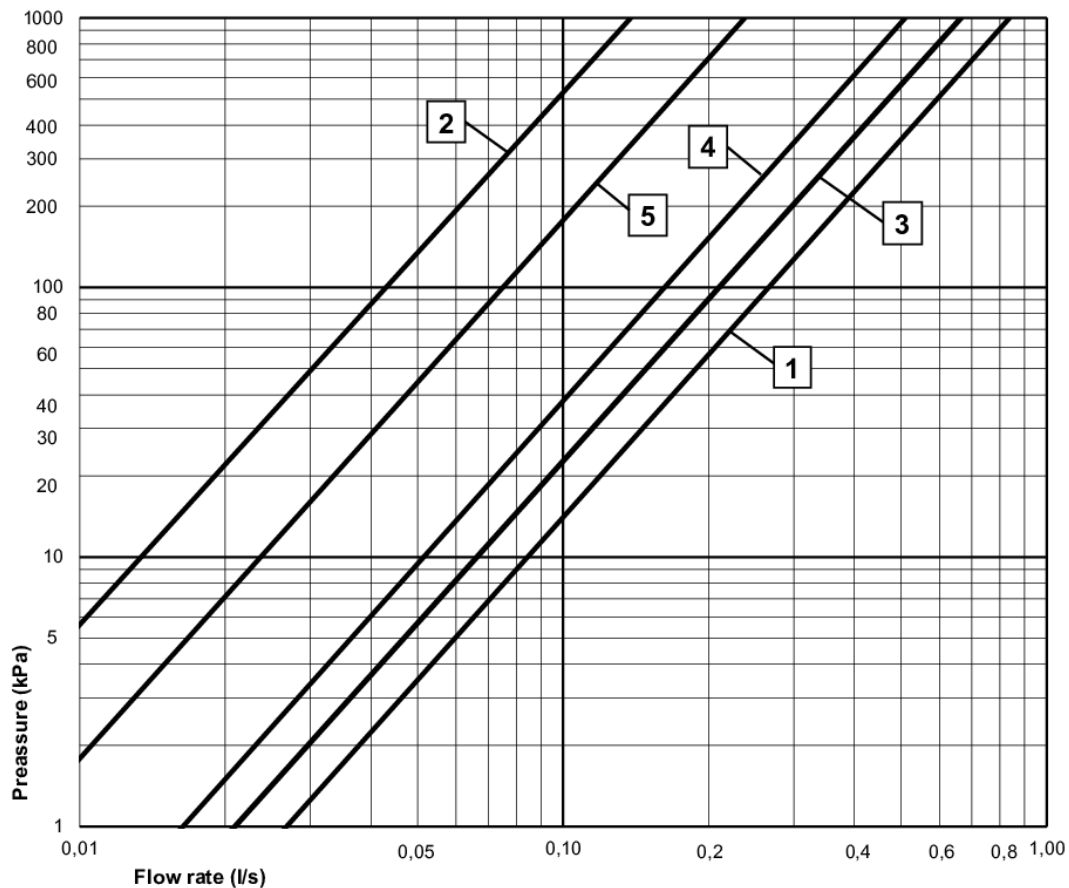
No.	Product	Art-no.
1	Handle for quantity side, Nautic	GB41637804 01
3	Outlet nipple	GB41639453 01
4	Outlet nipple	GB41639457 01
6	Connecting nipple	GB41632814 02
7	Diverter	GB41639500 01
8	Fittings	GB41634577
9	Flow handle	GB41639456 01
10	Plug G1/2	GB41633784
11	Accessible handle	GB41637840 02
12	Valve top piece	GB41634035 01
13	Non-return valve with filter	GB41632698 02
14	Filter for non-return valve	GB41635633 02
15	Filter for non-return valve	GB41635633 10
19	Connecting nipple	GB41634757 01
20	Connecting nipple	GB41634756 01
21	Connecting nipple	GB41636359 01
22	Pull diverter	GB41636577 01
23	Details for swiveling limiter	GB41633972
24	Connecting nipple	GB41637347
25	Aerator	GB41634555 01
26	Aerator	GB41630131 01
27	O-ring set for spout	GB41633952 01
28	Aerator	GB41638275 01
31	Thermostatic cartridge	GB41638334 01
32	Handle for temperature side	GB41638336 01
33	Connecting nipple	GB41632815
34	Outlet nipple	GB41638339 01
41	Accessible handle	GB41637845 02
42	Pull diverter knob	GB41636822 01
43	Gasket	GB41635641
51	Connecting nipple	GB41638955 01
52	Plug	GB41638998 02

GUSTAVSBERG/

FLOW CHART/

NAUTIC THERMOSTATIC BATHTUB AND SHOWER MIXER

GUSTAVSBERG /
SMARTER BATHROOMS



- 1** Max flow (bath- and shower outlet)
- 2** Comfort flow
- 3** Bathtub outlet GB41636820, GB41638760
- 4** Bathtub outlet GB41636819, GB41638759
- 5** Shower set GB41103250

Valid for curve **1**

- Flowrate at 300 kPa:	0,46 l/s
- Pressure at flow 0,1 l/s:	14 kPa
- Pressure at flow 0,2 l/s:	57 kPa
- Pressure at flow 0,33 l/s:	154 kPa



Villeroy & Boch Gustavsberg AB / Box 400, 134 29 Gustavsberg / Phone +46 (0)8-570 391 00 / www.gustavsberg.com / info@gustavsberg.com