



Quality of life since 1825

Toilet Nautic 5500 - hidden S-trap

Dual flush 4/2L, without seat

Product features

QUIET AND DRY
QUIET AND DRY



- Easy-to-clean and minimalist design
- Full coverage condensation-free flush tank
- Low flush button in clean design

Article numbers

Art-no.
GB115500201304

EAN
7391530066608

Packaging information

Length: 680 mm | Width: 360 mm | Height: 940 mm

Weight: 31 kg

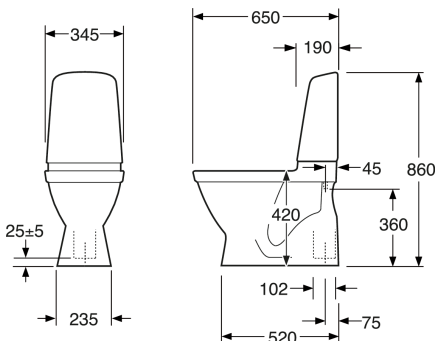
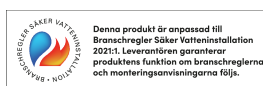
Weight: 1 pc

Assembling & Care

Mounting with the included bracket, which is screwed to the floor with two screws. Alternative mounting on floor with glue. Caps for screws and white plugs for screw holes for gluing included. The rounded tank and small outer dimensions also make it suitable for

Energy labeling and certifications

- CE approved, SS-EN 33 dimensioning and SS-EN 997 function



Technical information

- CO2 Footprint: 71.93 kg
- Flushing - water quantity: 2/4 L Dobbeltskyl
- Trap â Outlet: Hidden trap S-Trap
- Standard connection dimension: c/c 155mm sitsfäste