



Quality of life since 1825

Bathroom sink Nautic 5570 - for bolt/bracket mounting 70 cm

Without overflow*, Ceramicplus

Product features

CERAMICPLUS



- Easy-to-clean and minimalist design
- Elliptical sink with generous counter spaces
- Ceramicplus: fast & environmentally friendly cleaning

Article numbers

Art-no.
557098R1

EAN
4047289973522

Packaging information

Length: 710 mm | Width: 250 mm | Height: 520 mm

Weight: 24 kg

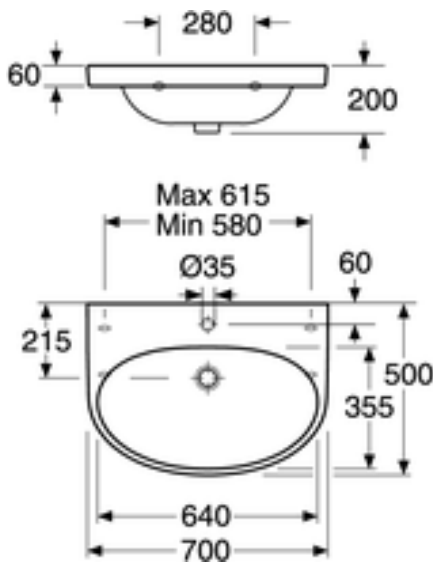
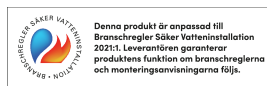
Weight: 1 pc

Assembling & Care

Mounted with flexible bracket dimensions, bracket length 260 mm. Bolt projection from finished wall must be 50 ± 2 mm. Brackets and other fasteners not included.

Energy labeling and certifications

- The product follows AMA recommendations & SS-EN 31 Complies with Safe Water installation requirements CE approved



Technical information

- CO2 Footprint: 48.1 kg