



Quality of life since 1825

Small bathroom sink Nautic 5550 - for bolt/bracket mounting 50 cm

With overflow and faucet hole, C+

Product features

CERAMICPLUS



- Easy-to-clean and minimalist design
- Elliptical sink with generous counter spaces
- Ceramicplus: fast & environmentally friendly cleaning

Article numbers

Art-no.
555099R1

EAN
4047289917502

Packaging information

Length: 516 mm | Width: 222 mm | Height: 410 mm

Weight: 11.5 kg

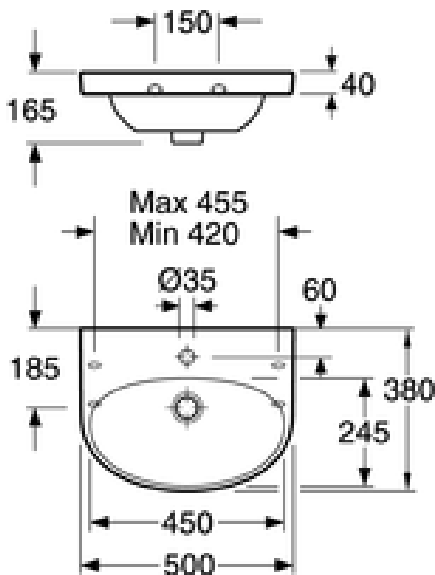
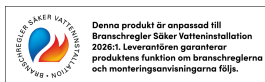
Weight: 1 pc

Assembling & Care

Mounted with flexible bracket dimensions, bracket length 195 or 240 mm. Can also be mounted directly on wall with bolts. NB! Note bolt spacing 150 c-c when replacing with earlier sink. Bolt projection from finished wall must be 50 ± 2 mm. Brackets and other fasteners not included.

Energy labeling and certifications

- The product follows AMA recommendations & SS-EN 31Complies with Safe Water installation requirementsCE approved



Technical information

- CO2 Footprint: 26.78 kg