



Quality of life since 1825

Fixture Triomont XT – for toilet with top flush button

Low model with dual flush 6 or 3L

Product features

MOUNTING



- Low model for installation under window or shelf area
- Thin fixture, only 380 mm wide
- Load tested for 400 kg

Article numbers

Art-no.
GB1921102024

EAN
8711778169067

Packaging information

Length: 400 mm | Width: 900 mm | Height: 150 mm

Weight: 12 kg

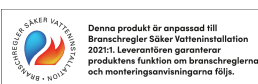
Weight: 1 pc

Assembling & Care

Mounted per included installation instructions. The height dimensions (1000 mm) of the drawing mean a seat height of 410–430 mm depending on the toilet model. Can when installed be adjusted up to 610–630 mm. Flexible bolt spacing for wall-mounted toilet installation, c-c 180 or 230 mm. With bolt spacing 180 c-c, all toilets from Gustavsberg and Villeroy & Boch fit.

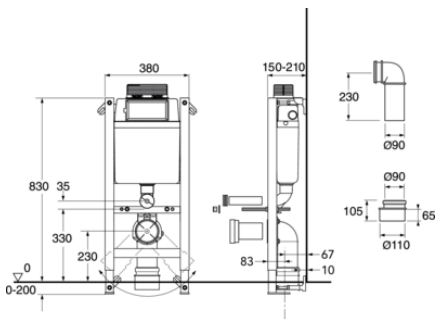
Energy labeling and certifications

- Fixture in accordance with the standard SS 820200 Tank in accordance with EN 14055 Ready for AMA installation without any extra components (SE)

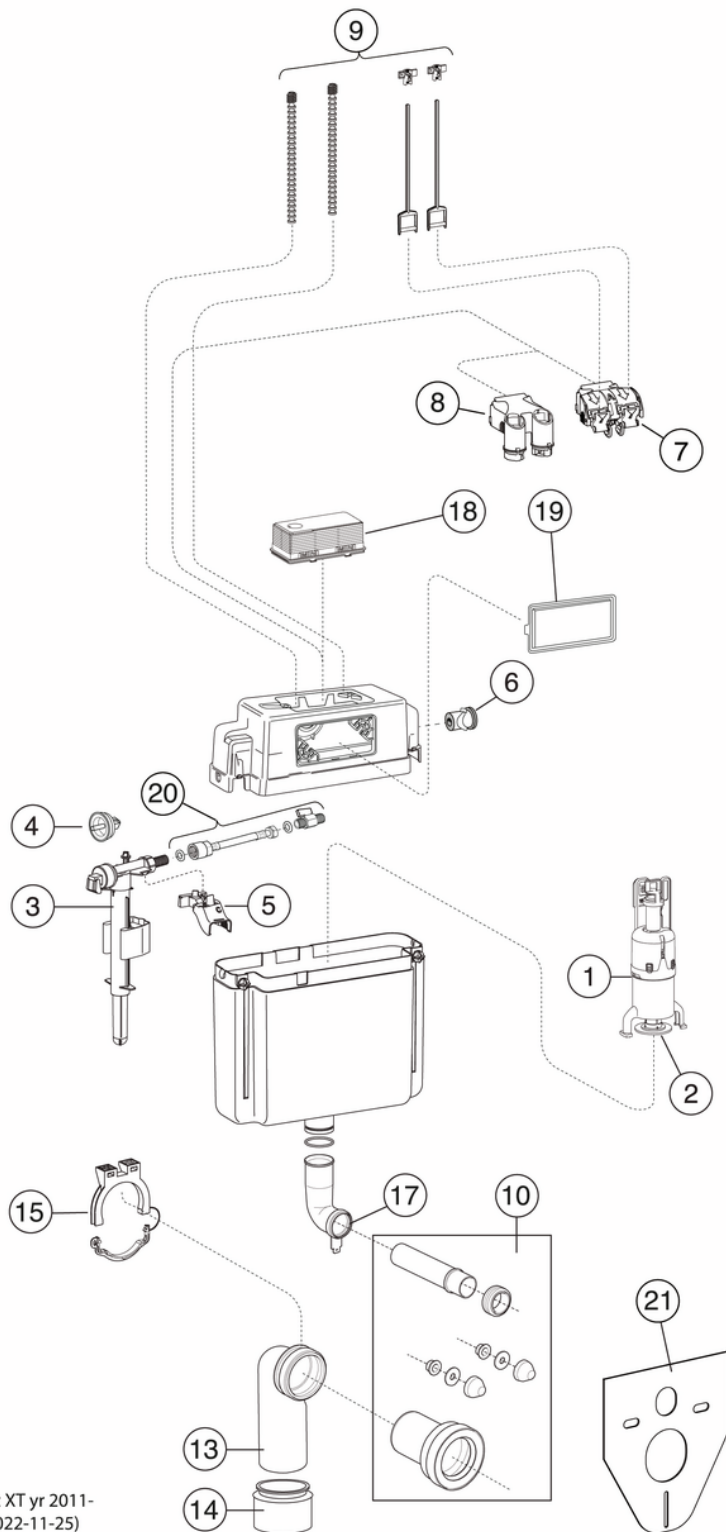


Technical information

- Flushing - water quantity: 6/3 Dual flush 6/3 (L)



Spare parts



Triomont XT yr 2011-
(Rev 2. 2022-11-25)

No.	Product	Art-no.
1	Bottom valve	GB1921100370
2	Seal	GB1921100371
3	Inlet valve	GB1921100600
4	Membrane	GB1921100373
5	Fixing	GB1921100375
6	Sleeve for incoming water	GB1921100392
7	Mechanical lifting device	GB1921100395
8	Pneumatic lifting device	GB1921100394
9	Set of mounting/control pins	GB1921100391
10	WC connection set	GB1921100380
13	Drain bend	GB1921100382
14	Eccentric	GB1921100383
15	Mounting drain bend	GB1921100384
17	Sealing ring	GB1921100386
18	Masonry aid	GB1921100390
19	Cover panel	GB1921100396
20	Connection with valve	GB1921100393
21	Insulation protection	GB1921100388