



Quality of life since 1825

Toilet Nautic 1510 - hidden P-trap, Hygienic Flush

Dual flush 4/2L, SC/QR seat, C+

Product features



CERAMICPLUS

- Easy-to-clean and minimalistic design
- With open flush edge for simplified cleaning
- Ceramicplus: for quick and eco-friendly cleaning

Article numbers

Art-no.
GB1115102R1331

EAN
7391530067544

Packaging information

Length: 680 mm | Width: 360 mm | Height: 940 mm

Weight: 34 kg

Weight: 1 pc

Assembling & Care

Floor mounting with glue. The rounded cistern and the small outer dimensions makes it suitable for corner installations. Please refer to the installation manual.

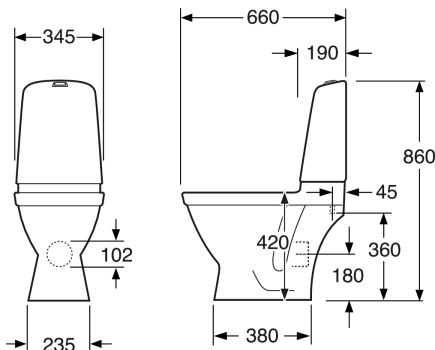
Energy labeling and certifications

- CE approved, SS-EN 33 dimensioning and SS-EN 997 function



Technical information

- CO2 Footprint: 79.13 kg
- Flushing - water quantity: 2/4 L Dobbeltskyl
- Trap à Outlet: Hidden trap P-trap
- Standard connection dimension: c/c 155mm sitsfäste



Spare parts



Toilet Nautic HF yr 2017-
(Rev 3. 2024-01-09)

| No. | Product | Art-no. |
|-----|--------------------------------------------------------|----------------|
| 1 | Complete inner tank | GB19299N0100 |
| 2 | Cistern housing | GB185580001200 |
| 3 | Valve housing, flush valve | 9GN00100 |
| 4 | Fill valve | 9GN03200 |
| 6 | Membrane | 9GN00300 |
| 7 | Knapphus high Duo | 9GN00561 |
| 8a | Knapphus high Single | 9GN00661 |
| 8b | Flush button - replacement button vandal, Nautic 2017- | GB19299NNV36 |
| 9 | Knapphus low Duo | 9GN01161 |
| 10a | Screw bag | GB1929900365 |
| 10b | Plug bag, complete | GB19299P0207 |
| 11 | Valve housing gasket | 9GN00400 |
| 12 | Floor fixation kit | 92242500 |
| 13 | Cistern fixation kit | 92226100 |
| 14a | Toilet seat Nautic 9M24 - Standard | 9M246101 |
| 14b | Toilet seat Nautic 9M26 - SC/QR | 9M26S101 |
| 14c | Toilet seat Nautic 9M26 - SC/QR | 9M26S136 |
| 14d | Toilet seat Nautic 9M25 - Rigid fixings | 9M256101 |
| 14e | Toilet seat Nautic - Slim seat | 8M45S101 |
| 15 | seat hinges | 92095761 |
| 15b | seat hinges | 92096361 |
| 16 | Shut-off valve | GB1929900503 |
| 17 | Cover panel | GB1929903410 |
| 21 | Soft Close damper | 92242400 |
| 22 | Buffer set | 92242001 |
| 98 | Inlet filter | 9GN01400 |



SMARTER
BATHROOMS

FLOW CHART

FILL VALVE - 9GN00100



A MEMBER OF THE
VILLEROY & BOCH GROUP

Villeroy & Boch Gustavsberg AB
Box 400, 134 29 Gustavsberg
Phone +46 (0)8-570 391 00
www.gustavsberg.com | info@gustavsberg.com