



Quality of life since 1825

Toote Omadused



- Easy-to-clean and minimalistic design
- With open flush edge for simplified cleaning
- Low flush button with a neat design

Article number

Art.nr.
GB111500201311G

EAN
7391530069111



Pakendiinfo

Pikkus: 360 mm | Laius: 680 mm | Kõrgus: 940 mm

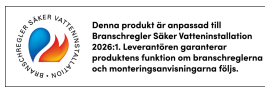
Kaal: 33 kg

Number pakendis: 1 pc

Paigaldus ja hooldus

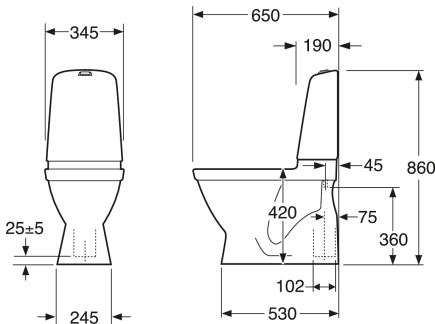
Energiamärgistus ja vastavustunnistused

- CE heakskiiduga, mõõdustandardit SS-EN 33 ja funktsioonistandardit SS-EN 997. Vastab ohutu veevärgi nõuetele.



Tehniline info

- CO₂e jalajälg: 76,73 kg
- Loputus – vee kogus: 2/4 L Dobbeltskyl
- Sifoon - äravool: Hidden trap S-Trap
- Ühenduse mõõdud: c/c 155mm sitsfäste



Varuosad



Toilet Nautic HF yr 2017-
(Rev 3. 2024-01-09)

| Nr. | Toote | Art.nr. |
|-----|--|----------------|
| 1 | Nautic komplektne sisemine paak | GB19299N0100 |
| 2 | Loputuspaak Nautic 5580 (ilma sisuta) | GB185580001200 |
| 3 | Väljalaskeklapp Nautic/Estetic | 9GN00100 |
| 4 | Sisselaskeventiil Nautic/Estetic | 9GN03200 |
| 7 | Loputusnupp Nautic Duo kõrge, kroom | 9GN00561 |
| 8a | Loputusnupp Nautic Single kõrge, kroom | 9GN00661 |
| 8b | Vandalismikindel loputusnupp Nautic 2017 - | GB19299NNV36 |
| 9 | Loputusnupp Nautic Duo madal, kroom | 9GN01161 |
| 10a | Puidukruvide komplekt WC poti kinnitamiseks | GB1929900365 |
| 10b | Nordic3 wc poti kinnitusaukude katted | GB19299P0207 |
| 11 | Väljalaskeklapi tihend Nautic/Estetic | 9GN00400 |
| 12 | WC poti kinnituskomplekt | 92242500 |
| 13 | Loputuspaagi kinnituskomplekt | 92226100 |
| 14a | WC-poti prill-laud Nautic | 9M246101 |
| 14b | WC-poti prill-laud Nautic, SC/QR | 9M26S101 |
| 14c | WC-poti prill-laud Nautic, SC/QR | 9M26S136 |
| 14d | WC-poti prill-laud Nautic, jäigad kinnitused | 9M256101 |
| 14e | Prill-laud Nautic 8M45 - SC/QR | 8M45S101 |
| 15 | Prill-laua kinnitused | 92095761 |
| 15b | | 92096361 |
| 16 | Sulgventiil | GB1929900503 |
| 17 | Kattepaneel | GB1929903410 |
| 21 | | GB92242400 |
| 22 | Prill-laua pehmenduspadjakeste komplekt Nautic | 92242001 |
| 98 | | 9GN01400 |
| 99 | | GB1929900762 |



SMARTER
BATHROOMS

FLOW CHART

FILL VALVE - 9GN00100



A MEMBER OF THE
VILLEROY & BOCH GROUP

Villeroy & Boch Gustavsberg AB
Box 400, 134 29 Gustavsberg
Phone +46 (0)8-570 391 00
www.gustavsberg.com | info@gustavsberg.com