



Quality of life since 1825

Toilet Nautic 5500 - hidden S-trap

Dual flush 4/2 L, without seat

Product features

- Easy-to-clean and minimalist design
- Full coverage condensation-free flush tank
- Ergonomically elevated flush button

Article numbers

Art-no.
GB115500201201

EAN
7391530062495

Packaging information

Length: 680 mm | Width: 360 mm | Height: 940 mm

Weight: 30 kg

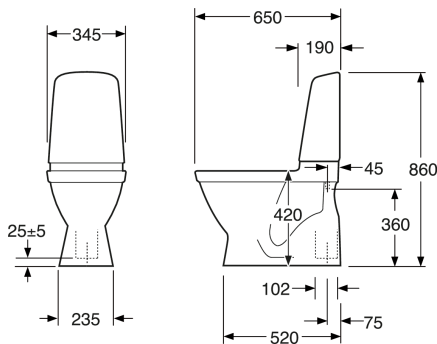
Weight: 1 pc

Assembling & Care

Mounting with the included bracket, which is screwed to the floor with two screws. Alternative mounting on floor with glue. Caps for screws and white plugs for screw holes for gluing included. The rounded tank and small outer dimensions also make it suitable for corner placement. See included installation guide.

Energy labeling and certifications

- The product follows AMA recommendations, SS-EN 33 dimensioning and SS-EN 997 function Complies with Safe Water installation requirements CE approved



Technical information

- CO2 Footprint: 67.14 kg
- Flushing - water quantity: 2/4 L Dobbeltskyl
- Trap à Outlet: Hidden trap S-Trap