



Quality of life since 1825

# Washbasin mixer Atlantic

Chrome

## Product features

ECO-STOP



QUICK FIT



SMART INSIDE



- Lever with clear color marking for hot and cold
- Soft move, technology for smooth and precise handling
- Adjustable max temperature for scald protection

## Article numbers

Art-no.  
GB41215047

EAN  
7393792232340

## Packaging information

Length: 225 mm | Width: 205 mm | Height: 70 mm

Weight: 1.31 kg

Weight: 1 pc

## Assembling & Care

Prior to installation the lines must be flushed up to the faucet. The faucet is connected with the cold water line on the right and the hot water line on the left. Water pressure: max 1000 kPa, min 50kPa. Hot water temperature: max 70°C, min 45°C. Please note that we are not liable for damage resulting from improper installation.

## Energy labeling and certifications

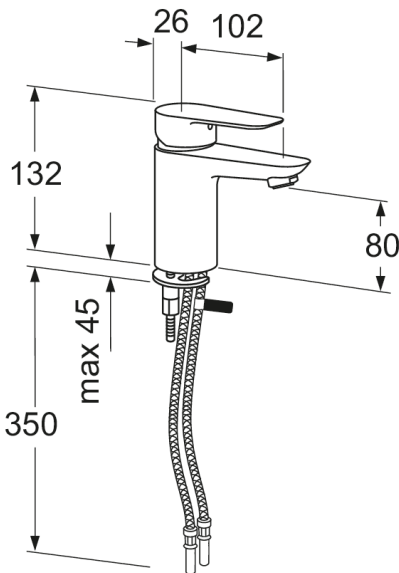


Denna produkt är anpassad till Branschregler Säker Vatteninstallation 2021:1. Leverantören garanterar produktens funktion om branschreglerna och monteringsanvisningarna följs.

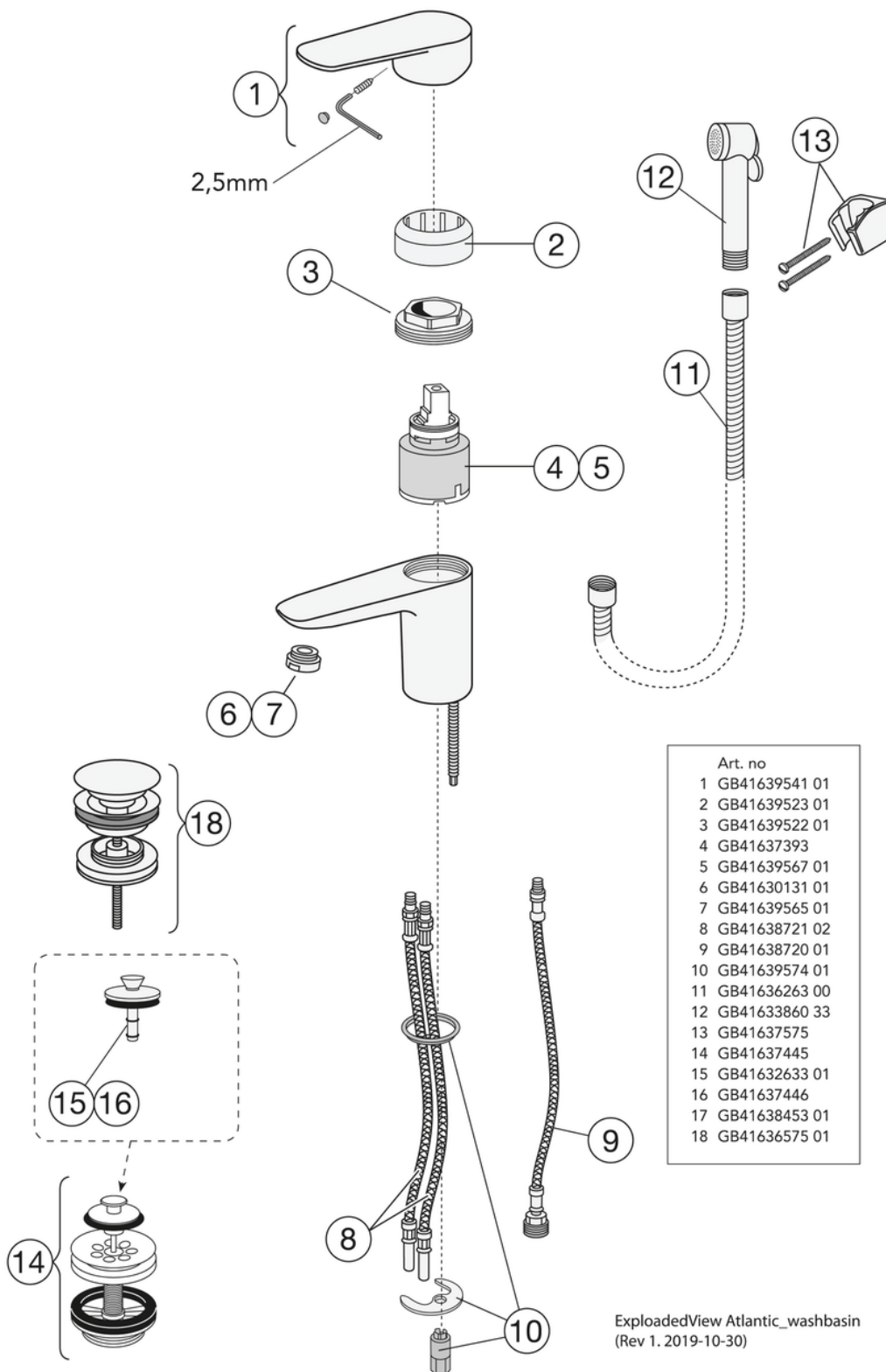


## Technical information

- Max. tap capacity (at 300 kPa): 0,136 l/s
- Pressure loss with flow (0,1 l/s) 163 kPa
- CO2 Footprint: 6.16 kg



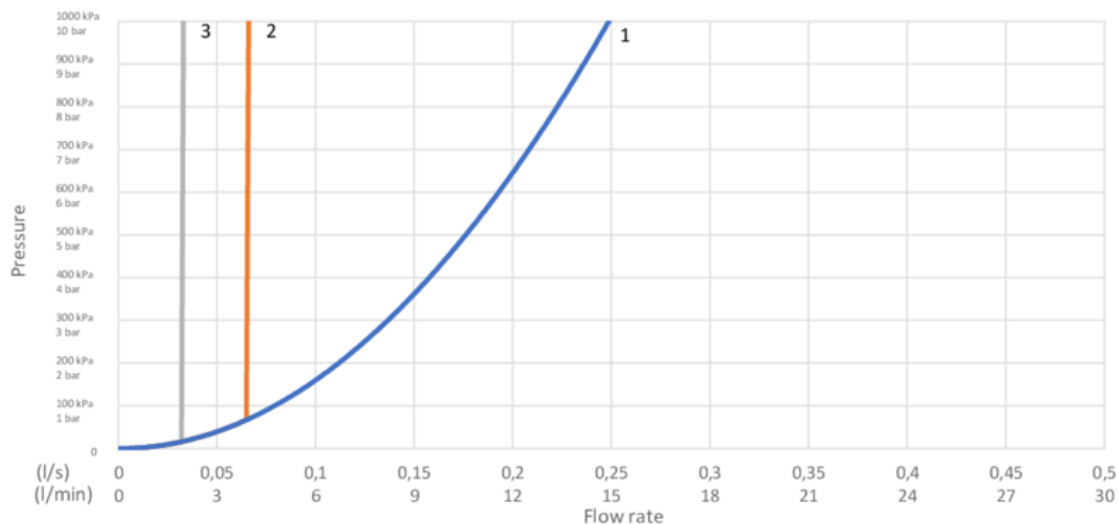
# Spare parts



| No. | Product               | Art-no.       |
|-----|-----------------------|---------------|
| 1   | Lever, Atlantic       | GB41639541 01 |
| 2   | Cover                 | GB41639523 01 |
| 3   | Nut - ceramic package | GB41639522 01 |
| 4   | Ceramic package       | GB41637393    |
| 5   | Ceramic Cartridge     | GB41639567 01 |
| 6   | Aerator               | GB41630131 01 |
| 7   | Aerator               | GB41639565 01 |
| 8   | SoftPex hose          | GB41638721 02 |
| 9   | Softpex hose 300 mm   | GB41638720 01 |
| 10  | Mounting kit          | GB41639574 01 |
| 11  | Shower hose, Biflex   | GB41636263 00 |
| 12  | Hand shower           | GB41633860 33 |
| 13  | Hand shower fixing    | GB41637575    |
| 14  | Plug valve            | GB41637445    |
| 18  | Pushdown valve        | GB41636575 01 |

# GUSTAVSBERG/

## FLOW CHART/ Washbasin mixer Atlantic



- 1. Max flow
- 2. Optional aerator GB41638662 10
- 3. Optional aerator GB41638663 10

### 1. Max flow

|                              |           |
|------------------------------|-----------|
| - Flowrate at 300 kPa:       | 0,136 l/s |
| - Pressure at flow 0,1 l/s:  | 163 kPa   |
| - Pressure at flow 0,2 l/s:  | 652 kPa   |
| - Pressure at flow 0,33 l/s: | N/A       |

Rev, 1, 2020-10-29 Gustavsberg Labb

Villeroy & Boch Gustavsberg AB / Box 400, 134 29 Gustavsberg / Phone +46 (0)8-570 391 00 / [www.gustavsberg.com](http://www.gustavsberg.com) / [info@gustavsberg.com](mailto:info@gustavsberg.com)