



Quality of life since 1825

# Washbasin mixer Atlantic

Chrome, lead-free

## Product features

COLD-START

LEAD-FREE

ECO-FLOW



- Energy class A, saves energy and water
- Soft move, technology for smooth and precise handling
- Cold-start, only cold water when the lever is in straight forward position

## Article numbers

Art-no.  
GB41215047 0

EAN  
7393792232357

## Packaging information

Length: 225 mm | Width: 205 mm | Height: 70 mm

Weight: 1.31 kg

Weight: 1 pc

## Assembling & Care

Prior to installation the lines must be flushed up to the faucet. The faucet is connected with the cold water line on the right and the hot water line on the left. Water pressure: max 1000 kPa, min 50kPa. Hot water temperature: max 70°C, min 45°C. Please note that we are not liable for damage resulting from improper installation.

## Energy labeling and certifications

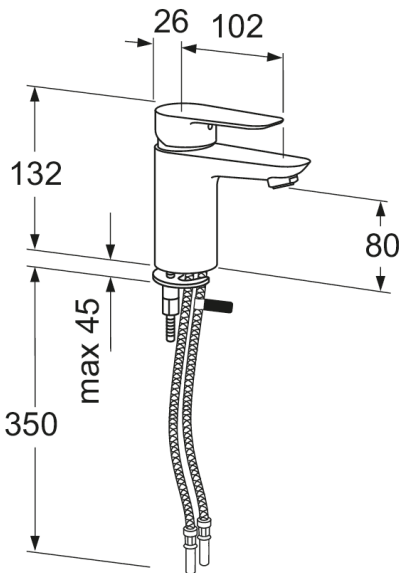


Denna produkt är anpassad till Branschregler Säker Vatteninstallation 2021:1. Leverantören garanterar produktens funktion om branschreglerna och monteringsanvisningarna följs.

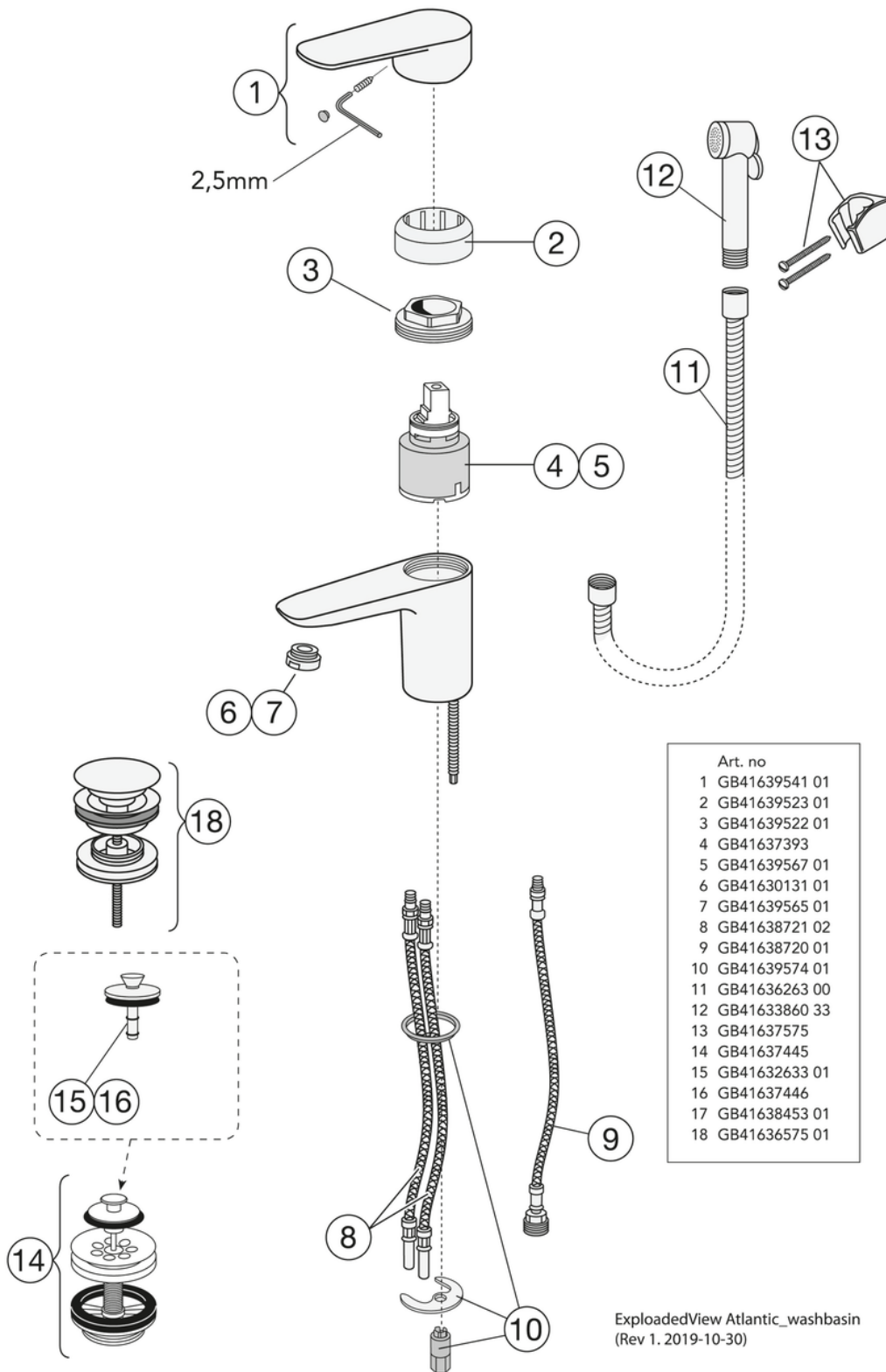


## Technical information

- Max. tap capacity (at 300 kPa): 0,075 l/s
- CO2 Footprint: 6.67 kg



# Spare parts



ExplodedView Atlantic\_washbasin  
(Rev 1. 2019-10-30)

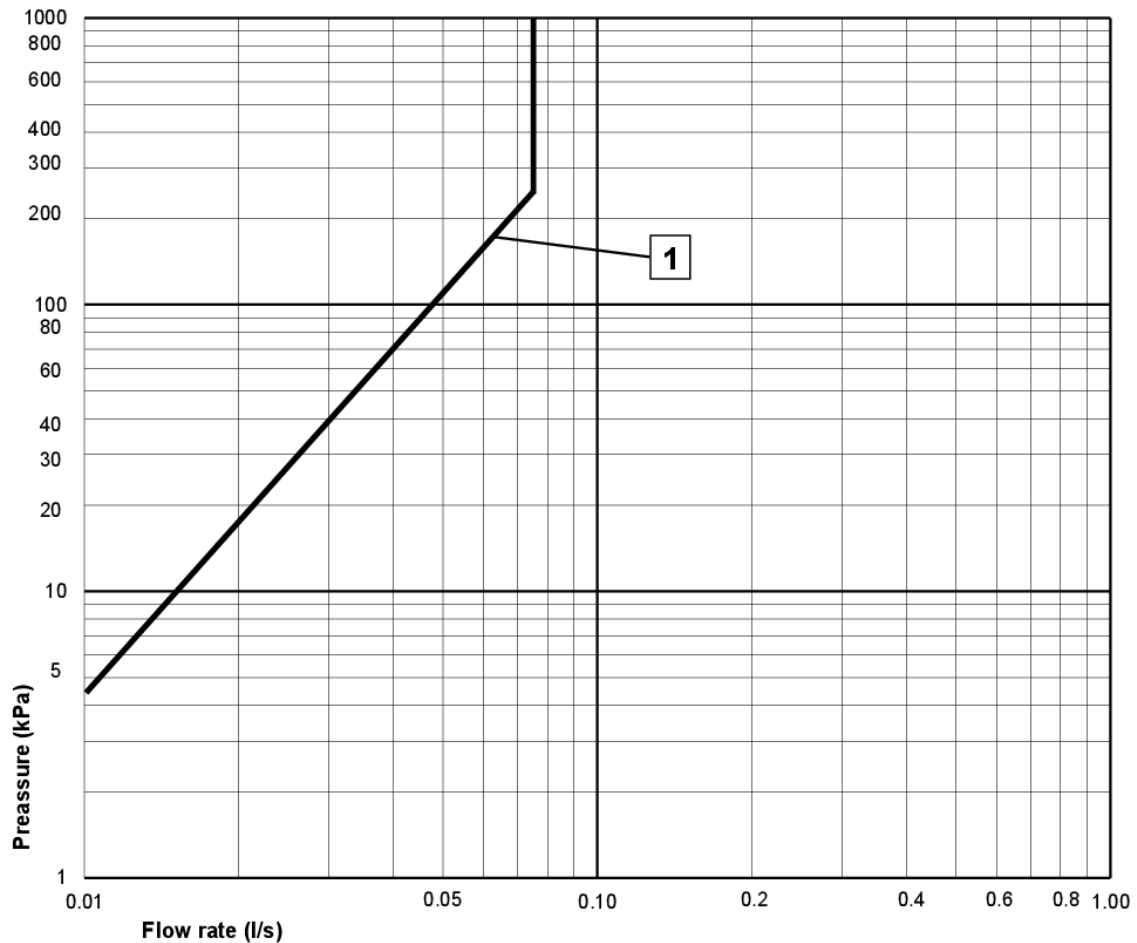
No.	Product	Art-no.
1	Lever, Atlantic	GB41639541 01
2	Cover	GB41639523 01
3	Nut - ceramic package	GB41639522 01
4	Ceramic package	GB41637393
5	Ceramic Cartridge	GB41639567 01
6	Aerator	GB41630131 01
7	Aerator	GB41639565 01
8	SoftPex hose	GB41638721 02
9	Softpex hose 300 mm	GB41638720 01
10	Mounting kit	GB41639574 01
11	Shower hose, Biflex	GB41636263 00
12	Hand shower	GB41633860 33
13	Hand shower fixing	GB41637575
14	Plug valve	GB41637445
18	Pushdown valve	GB41636575 01

# GUSTAVSBERG/

## FLOW CHART/

### ATLANTIC WASHBASIN MIXER, LEAD-FREE

GUSTAVSBERG /  
SMARTER BATHROOMS



**1** Max flow

Valid for curve **1**

- Flowrate at 300 kPa:	0,075 l/s
- Pressure at flow 0,1 l/s:	NA
- Pressure at flow 0,2 l/s:	NA
- Pressure at flow 0,33 l/s:	NA



Villeroy & Boch Gustavsberg AB / Box 400, 134 29 Gustavsberg / Phone +46 (0)8-570 391 00 / [www.gustavsberg.com](http://www.gustavsberg.com) / [info@gustavsberg.com](mailto:info@gustavsberg.com)