



Quality of life since 1825

Kitchen mixer Epic - high spout

Chrome, with dishwasher shut-off

Product features

ECO-FLOW



- A kitchen mixer in modern design
- Soft move, technology for smooth and precise handling
- Eco-flow for water and energy efficiency

Article numbers

Art-no.
GB41209996

EAN
7393792233828

Packaging information

Length: 535 mm | Width: 250 mm | Height: 70 mm

Weight: 1.95 kg

Weight: 1 pc

Assembling & Care

Prior to installation the lines must be flushed up to the faucet. The faucet is connected with the cold water line on the right and the hot water line on the left. Water pressure: max 1000 kPa, min 50kPa. Hot water temperature: max 70°C, min 45°C. Please note that we are not liable for damage resulting from improper installation.

Energy labeling and certifications

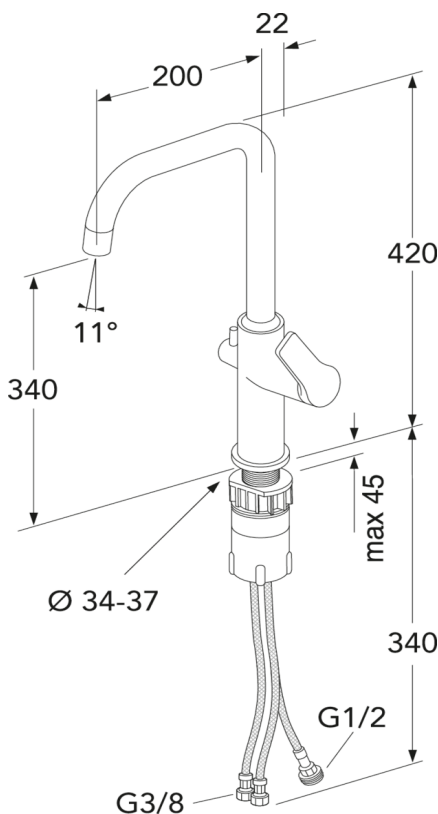


Denna produkt är anpassad till
Branschregler Säker Vatteninstallation
2021:1. Leverantören garanterar
produktens funktion om branschreglerna
och monteringsanvisningarna följs.



Technical information

- Max. tap capacity (at 300 kPa): 0,156 l/s
- Pressure loss with flow (0,2 l/s) 494 kPa



Spare parts



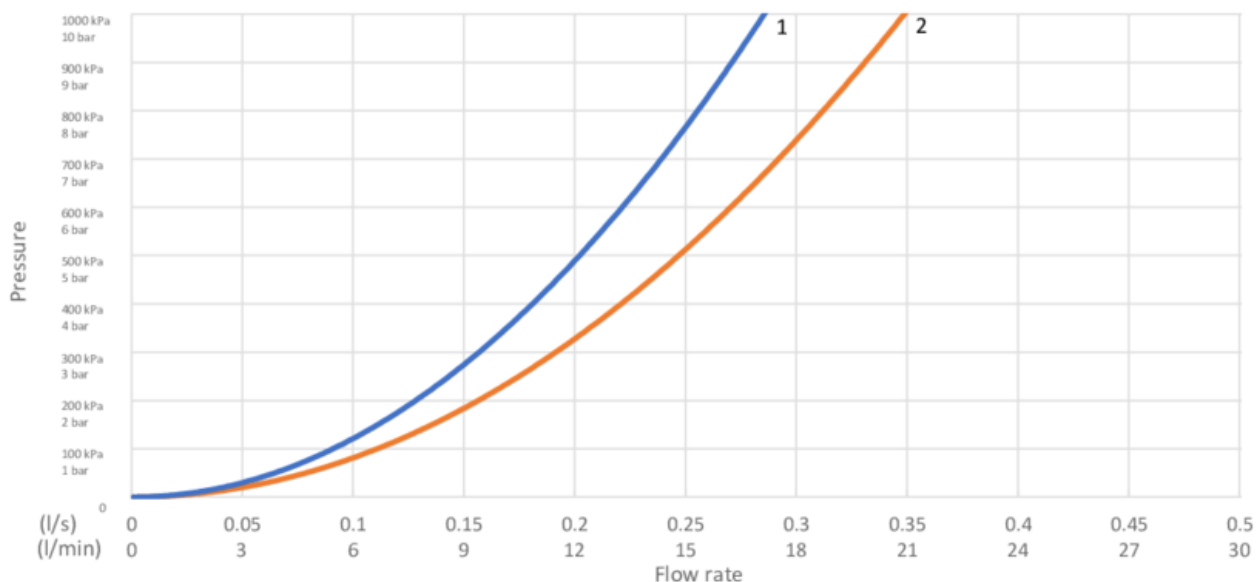
ExplodedView Epic_kitchen_dishwasher_shut-off
(Rev 1. 2020-08-19)

No.	Product	Art-no.
1	Aerator	GB41638549 01
2	Spout, Kitchen mixer Epic	GB41639771 01
3	Spout, Kitchen mixer Epic	GB41639771 24
4	Spout, Kitchen mixer Epic	GB41639771 53
5	Assambly kit Kitchen Epic	GB41639778 01
6	Knob / valve for dishwasher	GB41639631 01
7	knob dishwasher valve	GB41639631 24
8	knob dishwasher valve	GB41639631 53
9	Cartridge Ø25	GB41639775 01
10	Lever, Kitchen mixer Epic	GB41639768 01
11	Lever, Kitchen mixer Epic	GB41639768 24
12	Lever, Kitchen mixer Epic	GB41639768 53
13	Base ring Ø50 Epic	GB41639773 01
14	Base ring Ø50 Epic	GB41639773 24
15	Base ring Ø50 Epic	GB41639773 53
16	SoftPex hose	GB41636629 01
18	Mounting details	GB41639331 01

GUSTAVSBERG/

FLOW CHART/

Kitchen mixer with shut off valve EPIC



- 1. Max flow
- 2. Dishwasher shut off valve

1. Max flow

- Flowrate at 300 kPa:	0,156 l/s
- Pressure at flow 0,1 l/s:	123 kPa
- Pressure at flow 0,2 l/s:	494 kPa
- Pressure at flow 0,33 l/s:	N/A

Rev, 1, 2020-10-29 Gustavsberg Labb

Villeroy & Boch Gustavsberg AB / Box 400, 134 29 Gustavsberg / Phone +46 (0)8-570 391 00 / www.gustavsberg.com / info@gustavsberg.com