



Quality of life since 1825

Washbasin mixer Epic

Brushed brass

Product features

ECO-FLOW



- A washbasin mixer in modern design
- Soft move, technology for smooth and precise handling
- Eco-flow for water and energy efficiency

Article numbers

Art-no.
GB41219951 24

EAN
7393792233743

Packaging information

Length: 280 mm | Width: 220 mm | Height: 75 mm

Weight: 1.38 kg

Weight: 1 pc

Assembling & Care

Prior to installation the lines must be flushed up to the faucet. The faucet is connected with the cold water line on the right and the hot water line on the left. Water pressure: max 1000 kPa, min 50kPa. Hot water temperature: max 70°C, min 45°C. Please note that we are not liable for damage resulting from improper installation.

Energy labeling and certifications



CERTIFIERING
KONTROLL
1002

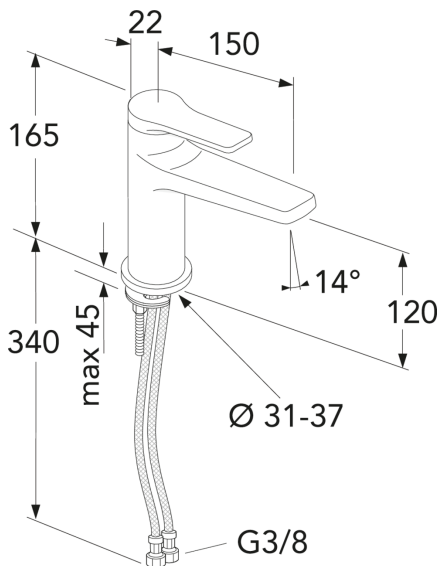


Den här produkten är anpassad till
Branschregler Säker Vatteninstallation
2021:1. Leverantören garanterar
produktens funktion om branschreglerna
och monteringsanvisningarna följs.

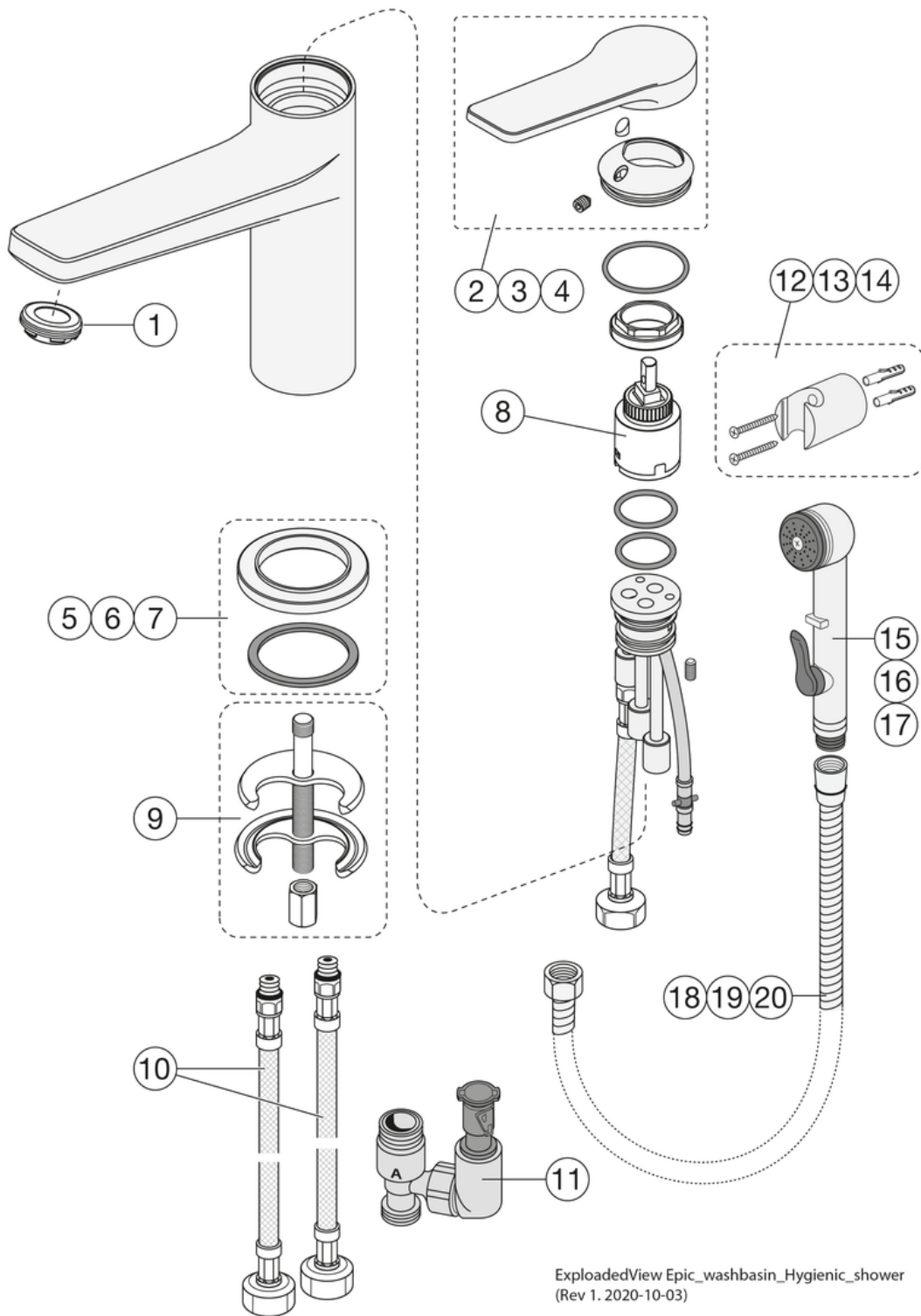


Technical information

- Max. tap capacity (at 300 kPa): 0,108 l/s
- Pressure loss with flow (0,1 l/s) 256 kPa



Spare parts

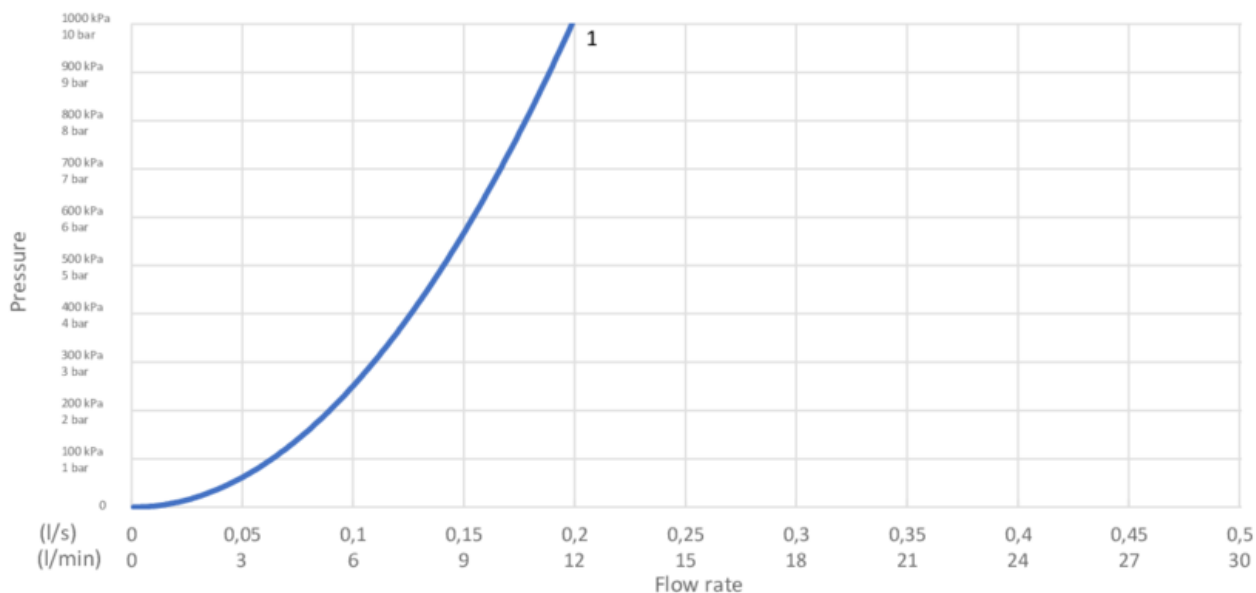


ExplodedView Epic_washbasin_Hygienic_shower
(Rev 1. 2020-10-03)

No.	Product	Art-no.
1	Aerator,	GB41639333 01
2	Lever,Washbasin mixer Epic	GB41639770 01
3	Lever,Washbasin mixer Epic	GB41639770 24
4	Lever,Washbasin mixer Epic	GB41639770 53
5	Base ring Ø50 Epic	GB41639773 01
6	Base ring Ø50 Epic	GB41639773 24
7	Base ring Ø50 Epic	GB41639773 53
8	Cartridge Ø25	GB41639775 01
9	Mounting kit	GB41639627 01
10	SoftPex hose	GB41636629 01
11	Epic ejector unit	GB41639949 01
12	Holder handle	GB41639947 01
13	Holder handle	GB41639947 53
14	Holder handle	GB41639947 24
15	Hand shower Epic Chrome	GB41639946 01
16	Hand spray Epic Black	GB41639946 53
18	Hose hand spray Epic Chrome	GB41639948 01
19	Hose hand spray Epic Black	GB41639948 53
20	Hose hand spray Epic Brass	GB41639948 24

GUSTAVSBERG/

FLOW CHART/ Washbasin mixer EPIC



1. Max flow

1. Max flow

- Flowrate at 300 kPa:	0,108 l/s
- Pressure at flow 0,1 l/s:	256 kPa
- Pressure at flow 0,2 l/s:	N/A
- Pressure at flow 0,33 l/s:	N/A

Rev, 1, 2020-10-29 Gustavsberg Labb

Villeroy & Boch Gustavsberg AB / Box 400, 134 29 Gustavsberg / Phone +46 (0)8-570 391 00 / www.gustavsberg.com / info@gustavsberg.com