



Quality of life since 1825

Kitchen mixer Epic - Pull out

Brushed brass, with pull out handshower

Product features

ECO-FLOW



- With pull out handshower
- Soft move, technology for smooth and precise handling
- Eco-flow for water and energy efficiency

Article numbers

Art-no.
GB41209959 24

EAN
7393792233866

Packaging information

Length: 670 mm | Width: 270 mm | Height: 65 mm

Weight: 2.75 kg

Weight: 1 pc

Assembling & Care

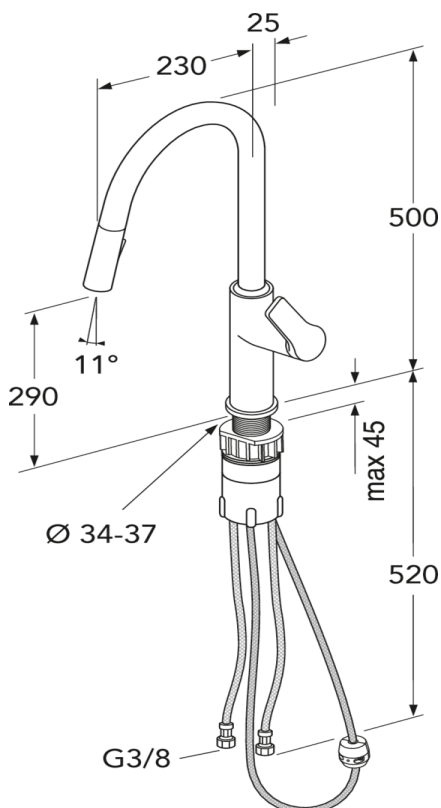
Prior to installation the lines must be flushed up to the faucet. The faucet is connected with the cold water line on the right and the hot water line on the left. Water pressure: max 1000 kPa, min 50kPa. Hot water temperature: max 70°C, min 45°C. Please note that we are not liable for damage resulting from improper installation.

Energy labeling and certifications

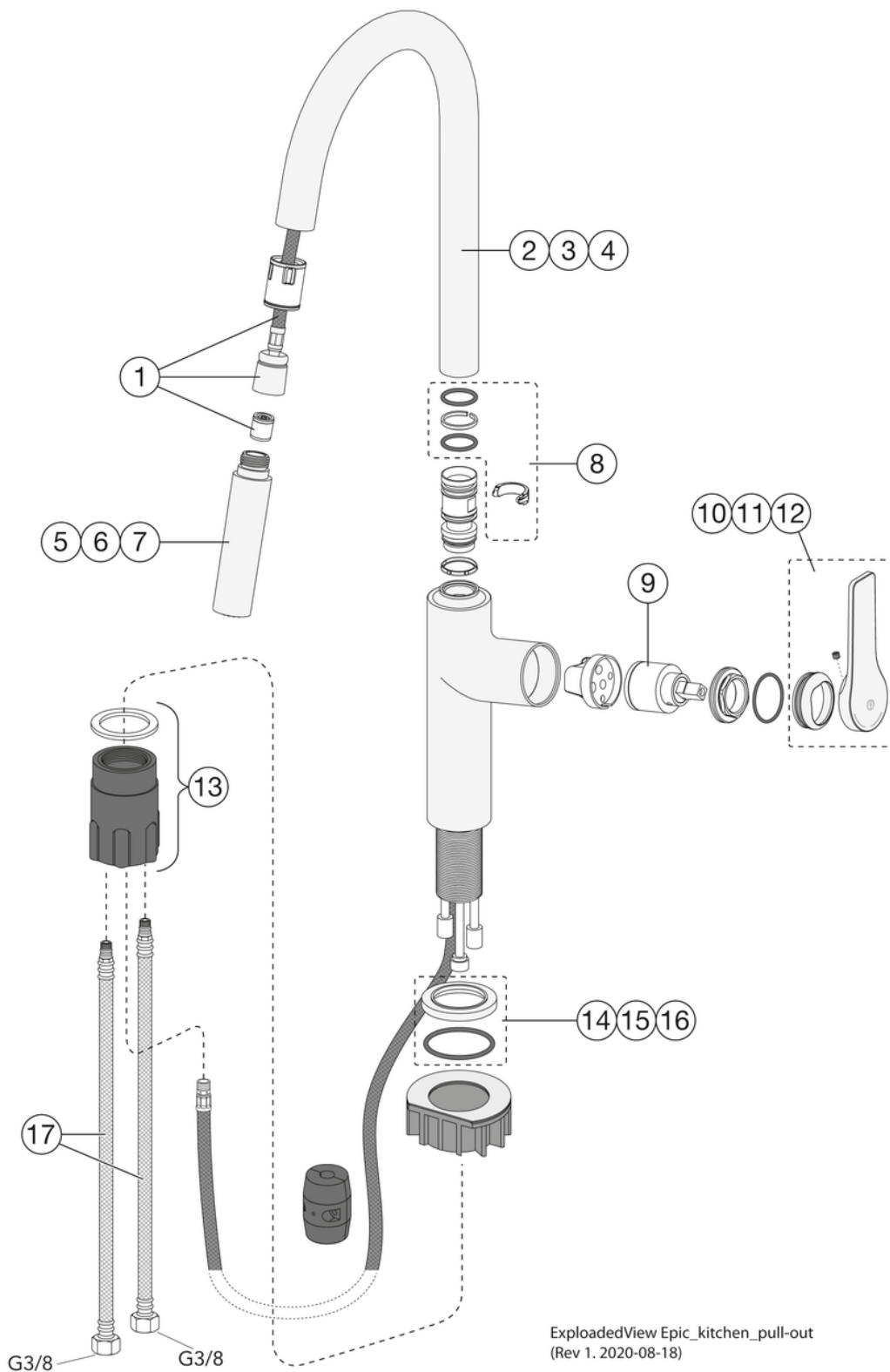


Technical information

- Max. tap capacity (at 300 kPa): 0,132 l/s
- Pressure loss with flow (0,2 l/s) 692 kPa



Spare parts



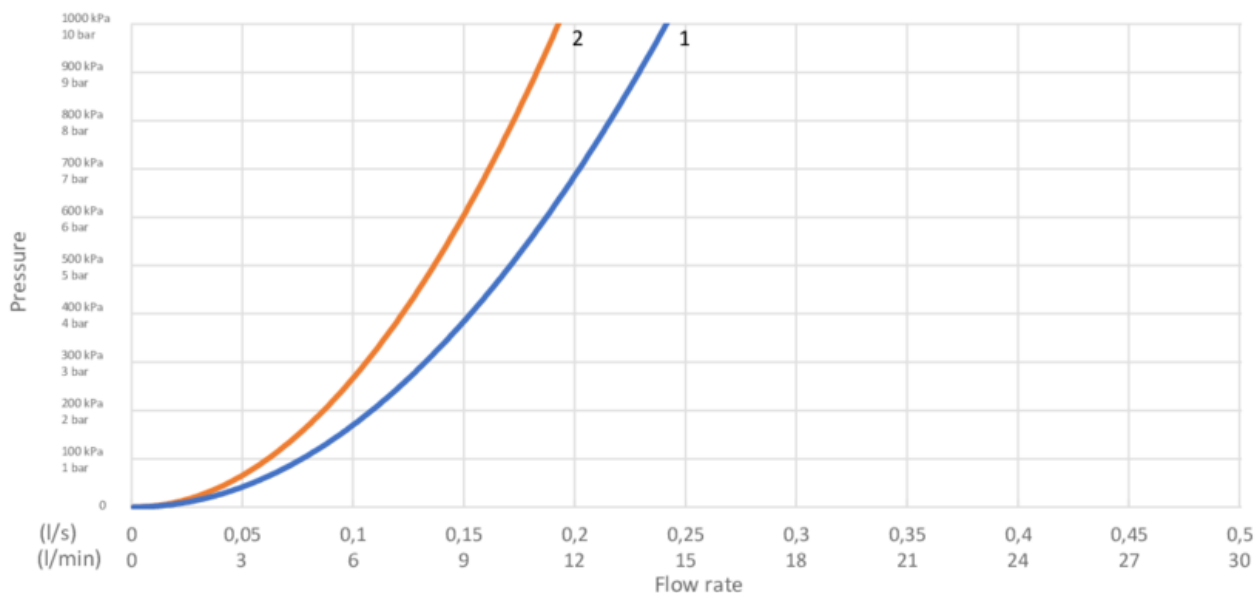
No.	Product	Art-no.
1	Hose, pull-out Epic	GB41639776 01
2	Spout, Kitchen Pull-out Epic	GB41639772 01
3	Spout, Kitchen Pull-out Epic	GB41639772 24
4	Spout, Kitchen Pull-out Epic	GB41639772 53
5	Shower handle, pull-out Epic	GB41639767 01
6	Shower handle, pull-out Epic	GB41639767 24
7	Shower handle, pull-out Epic	GB41639767 53
8	Assambly kit pull-out Epic	GB41639777 01
9	Ceramic package	GB41637393
10	Lever, Kitchen Pull-out Epic	GB41639769 01
11	Lever, Kitchen Pull-out Epic	GB41639769 24
12	Lever, Kitchen Pull-out Epic	GB41639769 53
13	Mounting details	GB41639331 01
14	Base ring Ø54 Epic	GB41639774 01
15	Base ring Ø54 Epic	GB41639774 24
16	Base ring Ø54 Epic	GB41639774 53
18	SoftPex hose	GB41636629 01

GUSTAVSBERG/

FLOW CHART/

Kitchen mixer pull-out EPIC

GUSTAVSBERG /
SMARTER BATHROOMS



- 1. Jet
- 2. Spray

1. Jet		2. Spray	
- Flow rate at 300 kPa:	0,132 l/s	- Flow rate at 300 kPa:	0,105 l/s
- Pressure at flow 0,1 l/s:	173 kPa	- Pressure at flow 0,1 l/s:	272 kPa
- Pressure at flow 0,2 l/s:	692 kPa	- Pressure at flow 0,2 l/s:	N/A
- Pressure at flow 0,33 l/s:	N/A	- Pressure at flow 0,33 l/s:	N/A

Rev, 1, 2020-10-29 Gustavsberg Labb

Villeroy & Boch Gustavsberg AB / Box 400, 134 29 Gustavsberg / Phone +46 (0)8-570 391 00 / www.gustavsberg.com / info@gustavsberg.com