



Quality of life since 1825

# Toilet Pacific 6510 – hidden p-trap

Dual flush 4/2L, without seat.

## Product features

QUIET AND DRY  
QUIET AND DRY



## Article numbers

Art-no.  
GB116510201303

EAN  
7391530073804

## Packaging information

Length: 680 mm | Width: 360 mm | Height: 940 mm

Weight: 30 kg

Weight: 1 pc

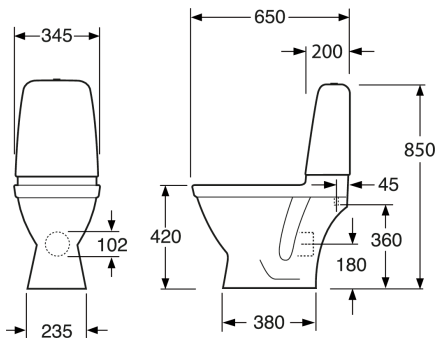
## Assembling & Care

## Energy labeling and certifications

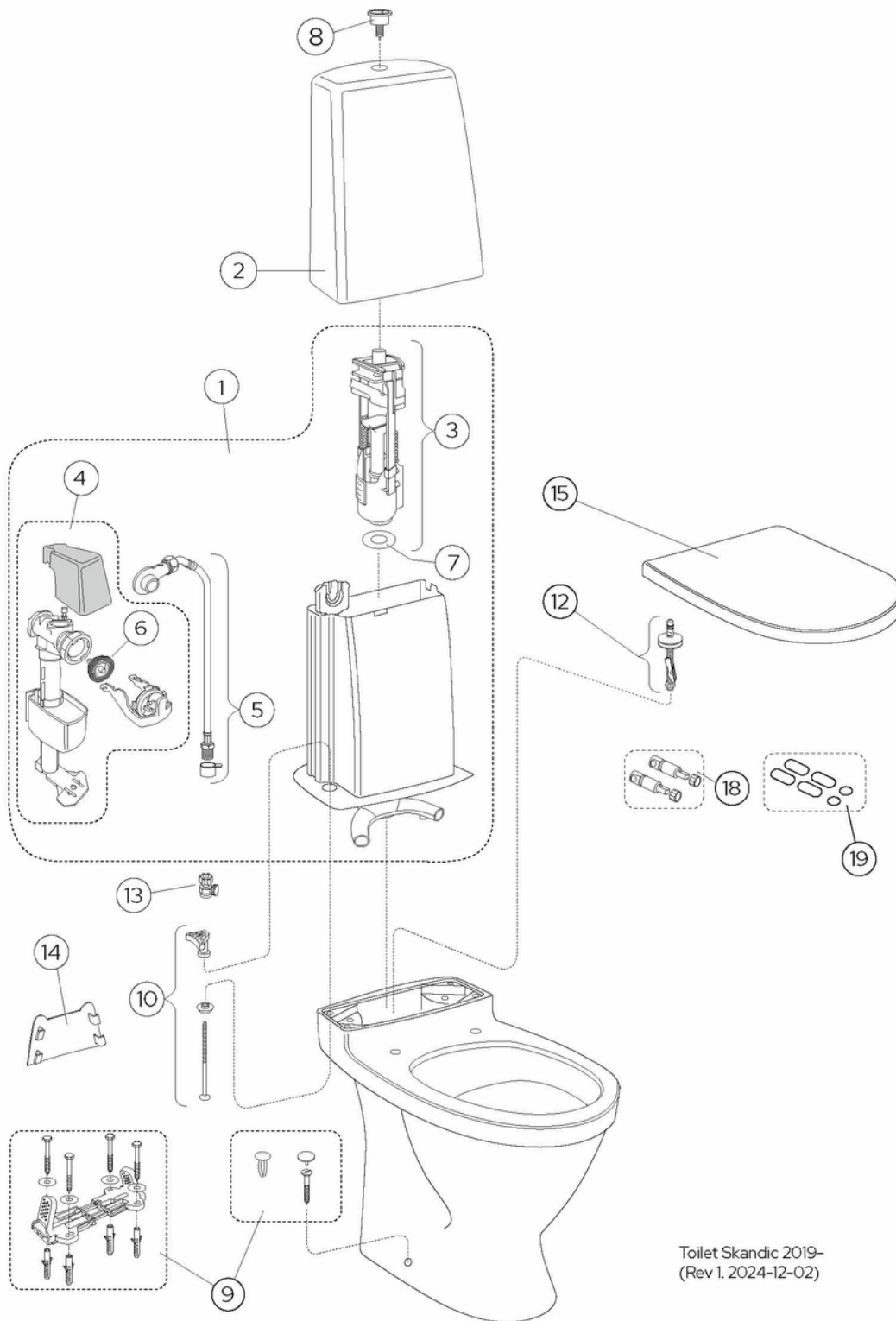


## Technical information

- CO2 Footprint: 66.9 kg
- Flushing - water quantity: 2/4 L Dobbeltskyl
- Trap â Outlet: P-trap
- Standard connection dimension: c/c 155mm sitsfäste



# Spare parts



Toilet Skandic 2019-  
(Rev 1. 2024-12-02)

No.	Product	Art-no.
1	Complete inner tank	GB19299N0101
2a	Cistern housing	GB186T01001200
2b	Cistern housing	GB186T02001200
2c	Cistern housing	GB186T03001200
3	Valve housing, flush valve	9GN00100
4	Fill valve	9GN03200
6	Membrane	9GN00300
7	Valve housing gasket	9GN00400
8a	Flush button	87569861
8b	Public single push button	9GN016D7
8c	Flush button	875698K5
9a	Floor fixation kit	92242500
9b	Plug bag, complete	GB19299P0207
10	Cistern fixation kit	92226100
11	seat hinges	92096361
13	Shut-off valve	GB1929900503
14	Cover panel	GB1929903410
15	seat hinges	92095761
16	Toilet seat Nautic 9M25 - Rigid fixings	9M256101
17a	Toilet seat Nautic - Slim seat	8M45S101
17b	Toilet seat Nautic 9M26 - SC/QR	9M26S101
17c	Toilet seat Nautic 9M26 - SC/QR	9M26S136
18	Soft Close damper	GB92242400
19	Buffer set	92242001