



Quality of life since 1825

All In One - including fixture, Estetic WC and Control panel

Dual flush 4,5 or 3 liter

Product features



HYGIENIC FLUSH

SUPRAFIX

- Neat installation, with a minimum of visible pipes
- Estetic toilet with soft close seat and hidden fixation
- Pneumatic control panel with dual flush

Article numbers

Art-no.
GB1921102201

EAN
8711778226357

Packaging information

Length: 395 mm | Width: 590 mm | Height: 590 mm

Weight: 42 kg

Weight: 1 pc

Assembling & Care

Mounted per included installation instructions. The height dimensions (1000 mm) of the drawing mean a seat height of 410–430 mm depending on the toilet model. Can when installed be adjusted up to 610–630 mm. Flexible bolt spacing for wall-mounted toilet installation, c-c 180 or 230 mm. With bolt spacing 180 c-c, all toilets from Gustavsberg and Villeroy & Boch fit.

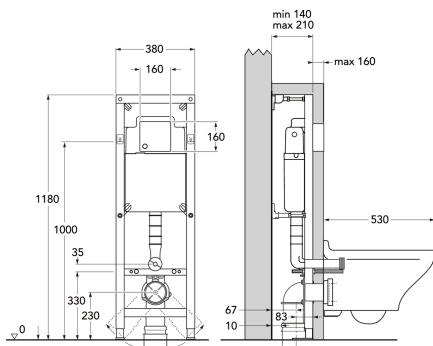
Energy labeling and certifications

- SINTEF-certified Fixture in accordance with the standard SS 820200 Tank in accordance with EN 14055 Ready for AMA installation without any extra components (SE)

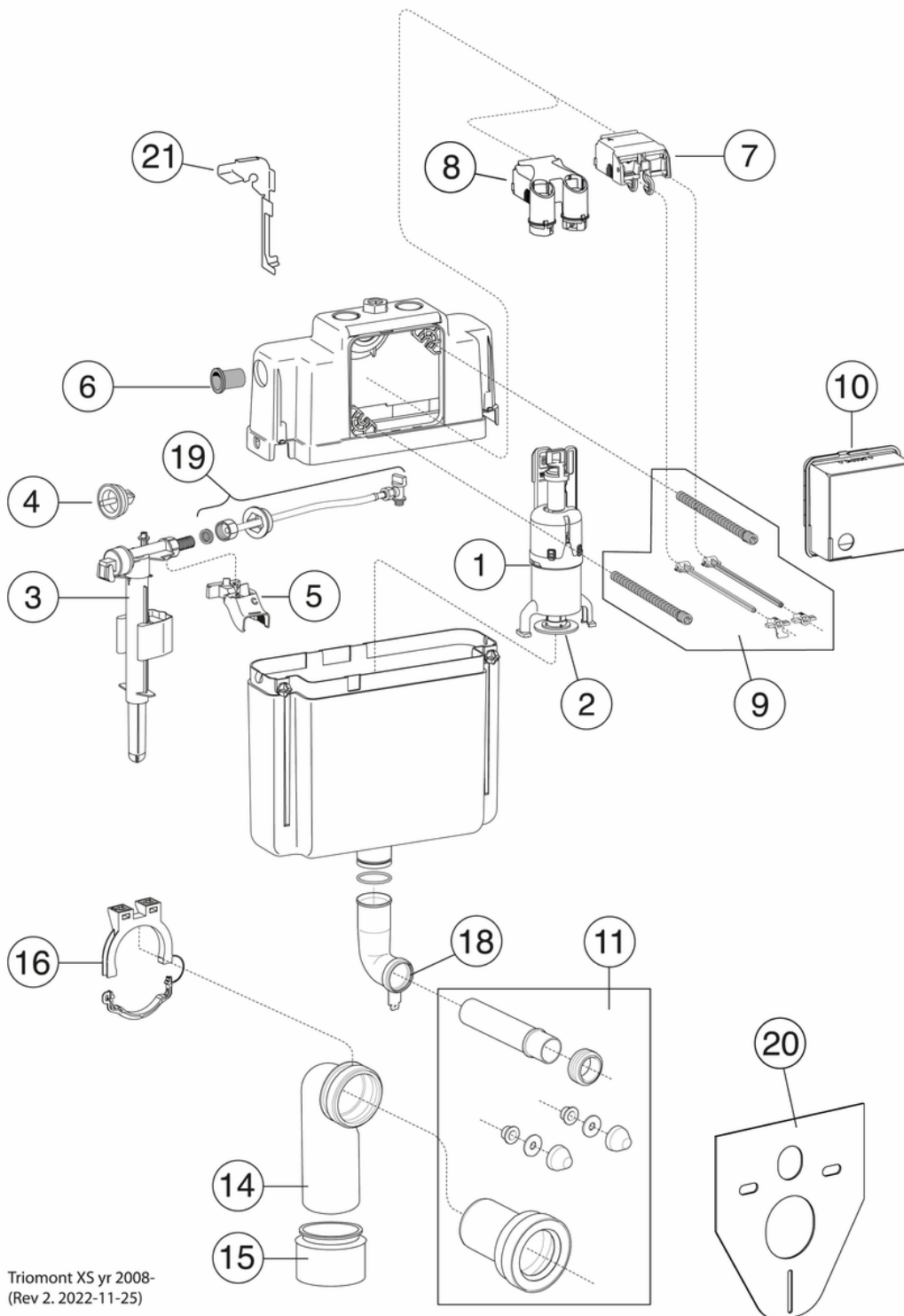


Technical information

- Flushing - water quantity: 4,5/3 Dual flush 4,5/3 (L)



Spare parts



Triomont XS yr 2008-
(Rev 2. 2022-11-25)

No.	Product	Art-no.
1a	Bottom valve	GB1921100370
1b	Bottom valve	GB1921100399
2	Gasket	GB1921100371
3	Inlet valve	GB1921100600
4a	Membrane	GB1921100373
4b	Membrane	GB1921100601
5	Fixing	GB1921100375
6	Sleeve for incoming water	GB1921100392
7a	Mechanical lifting device	GB1921100377
7b	Sensor lifting piece Triomont	GB1921100604
8	Pneumatic lifting device	GB1921100394
9a	Set of mounting/control pins, single flush, concealed cistern	GB1921100378
9b	Set of mounting/control pins, dual flush, concealed cistern	GB1921100379
10	Masonry aid	GB1921100387
11	WC connection set	GB1921100380
13	Flush pipe	GB1921100111
14	Drain bend	GB1921100382
15	Eccentric	GB1921100383
17	Flush pipe with fixing	GB1921100385
18	Sealing ring	GB1921100386
19	Flexible connecting hose set, XS	GB1921100369
20	Insulation protection	GB1921100388
21	Repair kit	GB1921100389