



Quality of life since 1825

Washbasin mixer New Nautic

Energy class C

Product features

ECO-STOP



QUICK FIT



SMART INSIDE



- Easy grip lever with clear colour marking for hot and cold
- Soft move, technology for smooth and precise handling
- Patented quick fixation nut for easy installation

Article numbers

Art-no.
GB41216051

EAN
7393792234771

Packaging information

Length: 225 mm | Width: 205 mm | Height: 70 mm

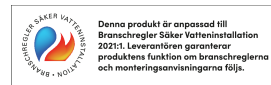
Weight: 1.2 kg

Weight: 1 pc

Assembling & Care

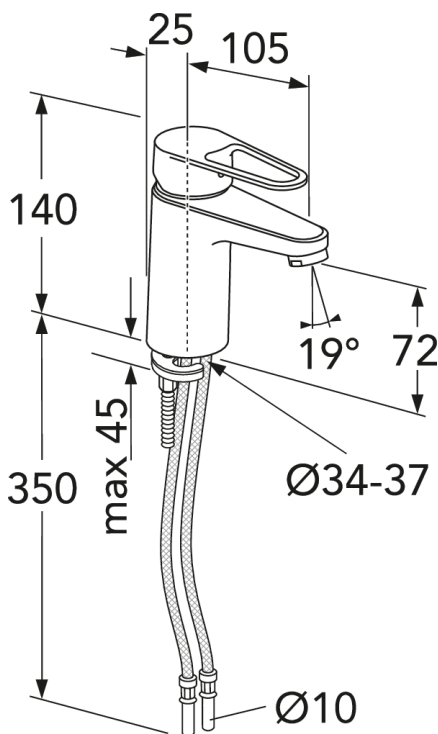
Prior to installation the lines must be flushed up to the faucet. The faucet is connected with the cold water line on the right and the hot water line on the left. Water pressure: max 1000 kPa, min 50kPa. Hot water temperature: max 70°C, min 45°C. Please note that we are not liable for damage resulting from improper installation.

Energy labeling and certifications



Technical information

- Max. tap capacity (at 300 kPa): 0,121 l/s
- Pressure loss with flow (0,1 l/s) 205 kPa
- CO2 Footprint: 5.1 kg
- Standard connection dimension: 10mm



Spare parts



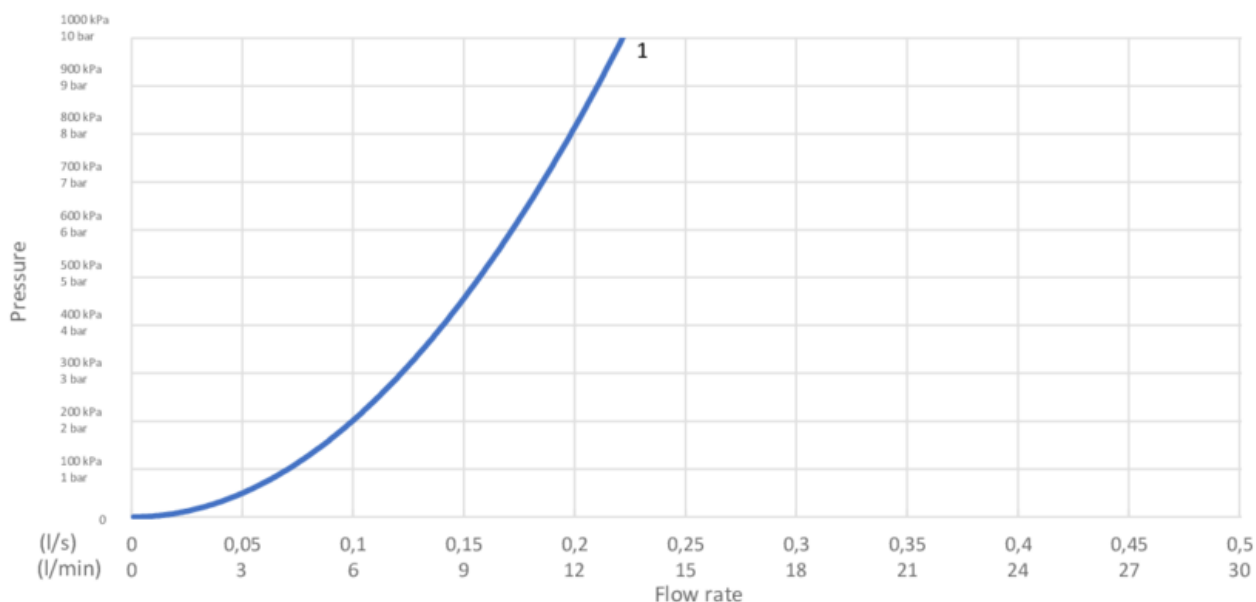
ExplodedView Nautic 2_washbasin
(Rev 1. 2021-01-21)

No.	Product	Art-no.
1	Lever, New Nautic 2021-->	GB41639803 01
2	Cover	GB41639523 01
3	Nut - ceramic package	GB41639522 01
4	Ceramic package	GB41637393
5	Ceramic Cartridge	GB41639567 01
6	Aerator	GB41630131 01
7	Aerator	GB41639565 01
8	Aerator	GB41639171 01
9	SoftPex hose	GB41639279 02
10	SoftPex hose	GB41638721 02
11	SoftPex hose	GB41638708 02
12	Mounting kit New Nautic	GB41639936 01
13	Softpex hose 300 mm	GB41638720 01
14	Shower hose, Biflex	GB41636263 00
15	Hand shower	GB41633860 33
16	Hand shower fixing	GB41637575
18	Pushdown valve	GB41636575 01
19	Plug valve	GB41637445
20	Single lever Care	GB41639801 01

GUSTAVSBERG/

FLOW CHART/

Washbasin mixer, energy class C New Nautic



1. Max flow

1. Max flow

- Flowrate at 300 kPa:	0,121 l/s
- Pressure at flow 0,1 l/s:	205 kPa
- Pressure at flow 0,2 l/s:	822 kPa
- Pressure at flow 0,33 l/s:	N/A

Rev, 1, 2021-02-08 Gustavsberg Labb

Villeroy & Boch Gustavsberg AB / Box 400, 134 29 Gustavsberg / Phone +46 (0)8-570 391 00 / www.gustavsberg.com / info@gustavsberg.com