



Quality of life since 1825

Washbasin mixer Atlantic

With G3/8 connection.

Product features

- Lever with clear color marking for hot and cold
- Soft move, technology for smooth and precise handling
- Adjustable max temperature for scald protection

Article numbers

Art-no.	EAN
GB41215047R	7393792234870

Packaging information

Length: 225 mm | Width: 205 mm | Height: 70 mm
Weight: 1.31 kg
Weight: 1 pc

Assembling & Care

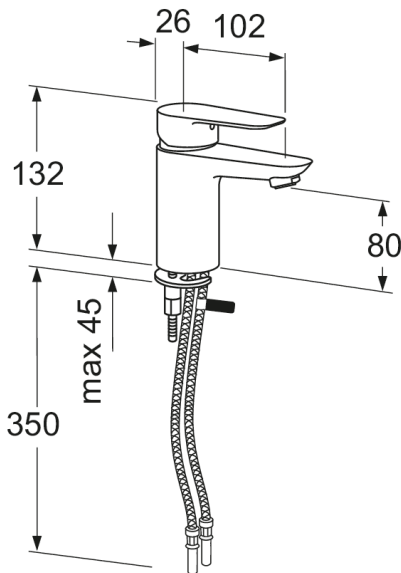
Prior to installation the lines must be flushed up to the faucet. The faucet is connected with the cold water line on the right and the hot water line on the left. Water pressure: max 1000 kPa, min 50kPa. Hot water temperature: max 70°C, min 45°C. Please note that we are not liable for damage resulting from improper installation.

Energy labeling and certifications

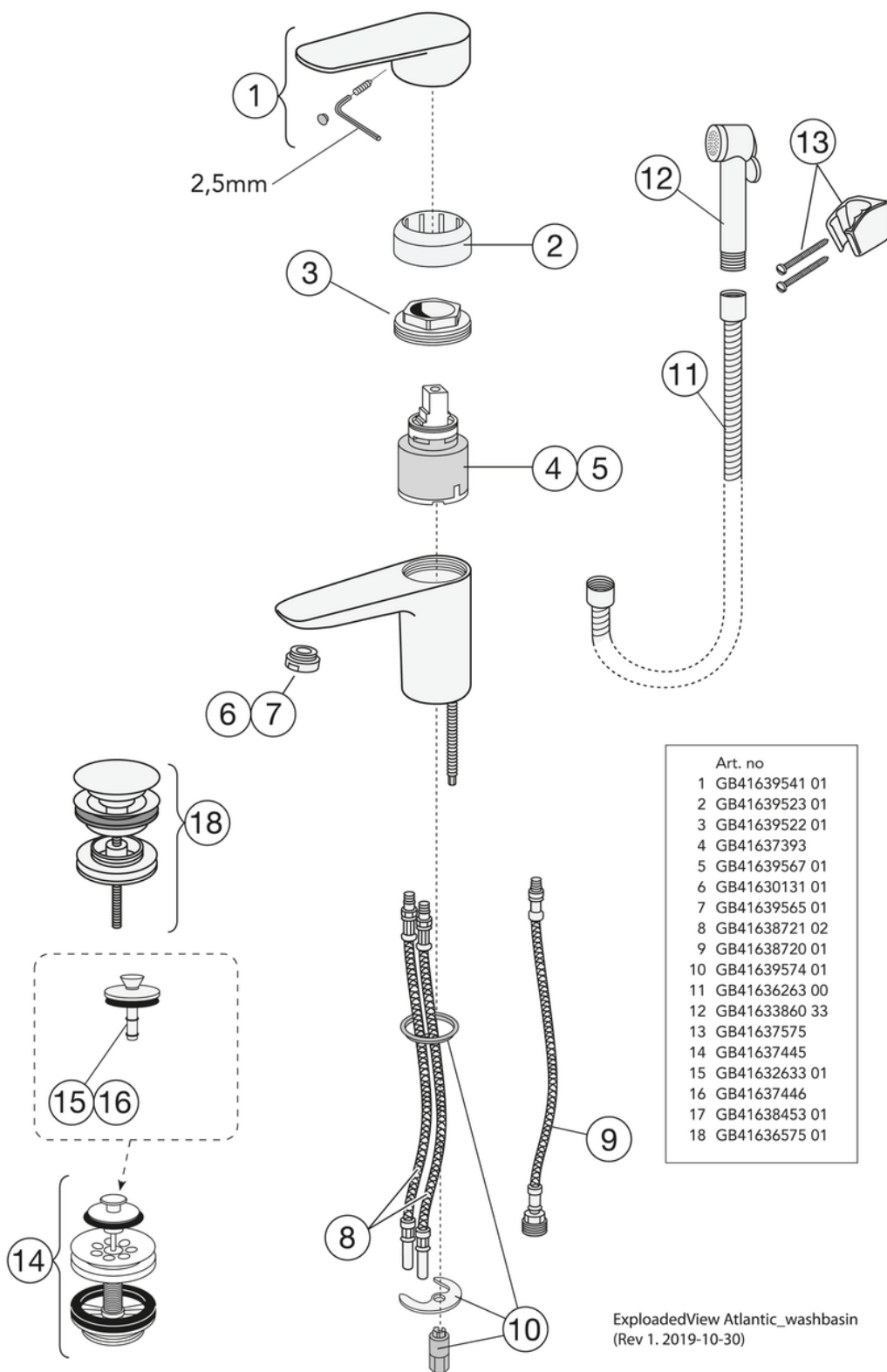


Technical information

- Max. tap capacity (at 300 kPa): 0,136 l/s
- Pressure loss with flow (0,1 l/s) 163 kPa
- CO2 Footprint: 6.159 kg



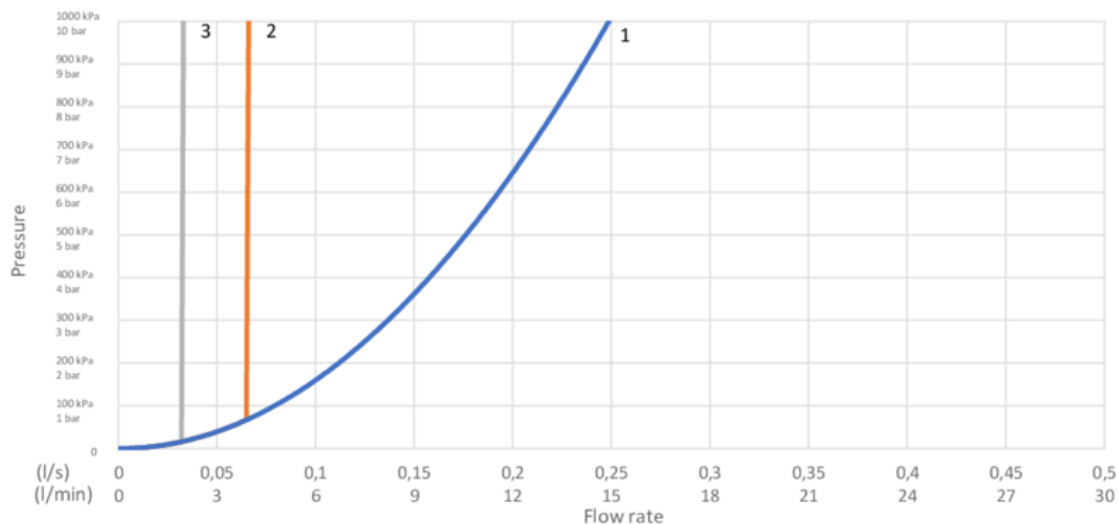
Spare parts



No.	Product	Art-no.
1	Lever, Atlantic	GB41639541 01
2	Cover	GB41639523 01
3	Nut - ceramic package	GB41639522 01
4	Ceramic package	GB41637393
5	Ceramic Cartridge	GB41639567 01
6	Aerator	GB41630131 01
7	Aerator	GB41639565 01
8	SoftPex hose	GB41638721 02
9	Softpex hose 300 mm	GB41638720 01
10	Mounting kit	GB41639574 01
11	Shower hose, Biflex	GB41636263 00
12	Hand shower	GB41633860 33
13	Hand shower fixing	GB41637575
14	Plug valve	GB41637445
18	Pushdown valve	GB41636575 01

GUSTAVSBERG/

FLOW CHART/ Washbasin mixer Atlantic



- 1. Max flow
- 2. Optional aerator GB41638662 10
- 3. Optional aerator GB41638663 10

1. Max flow

- Flowrate at 300 kPa:	0,136 l/s
- Pressure at flow 0,1 l/s:	163 kPa
- Pressure at flow 0,2 l/s:	652 kPa
- Pressure at flow 0,33 l/s:	N/A

Rev, 1, 2020-10-29 Gustavsberg Labb

Villeroy & Boch Gustavsberg AB / Box 400, 134 29 Gustavsberg / Phone +46 (0)8-570 391 00 / www.gustavsberg.com / info@gustavsberg.com