



Quality of life since 1825

Kitchen mixer Atlantic - high spout

Dishwasher shut-off, G3/8 connection.

Product features

Article numbers

Art-no.
GB41205098R

EAN
7393792234863

Packaging information

Length: 440 mm | Width: 275 mm | Height: 75 mm

Weight: 1.8 kg

Weight: 1 pc

Assembling & Care

Prior to installation the lines must be flushed up to the faucet. The faucet is connected with the cold water line on the right and the hot water line on the left. Water pressure: max 1000 kPa, min 50kPa. Hot water temperature: max 70°C, min 45°C. Please note that we are not liable for damage resulting from improper installation.

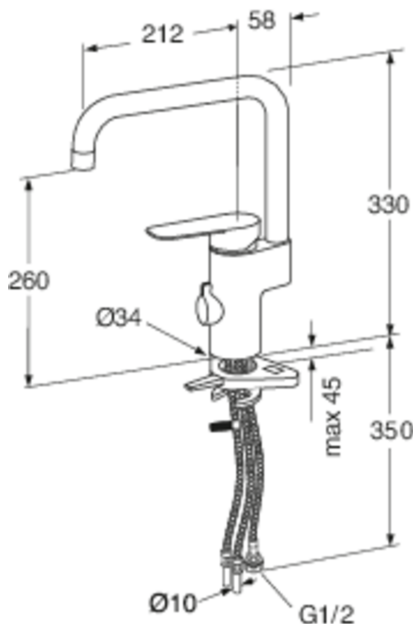
Energy labeling and certifications



CERTIFIERING
KONTROLL



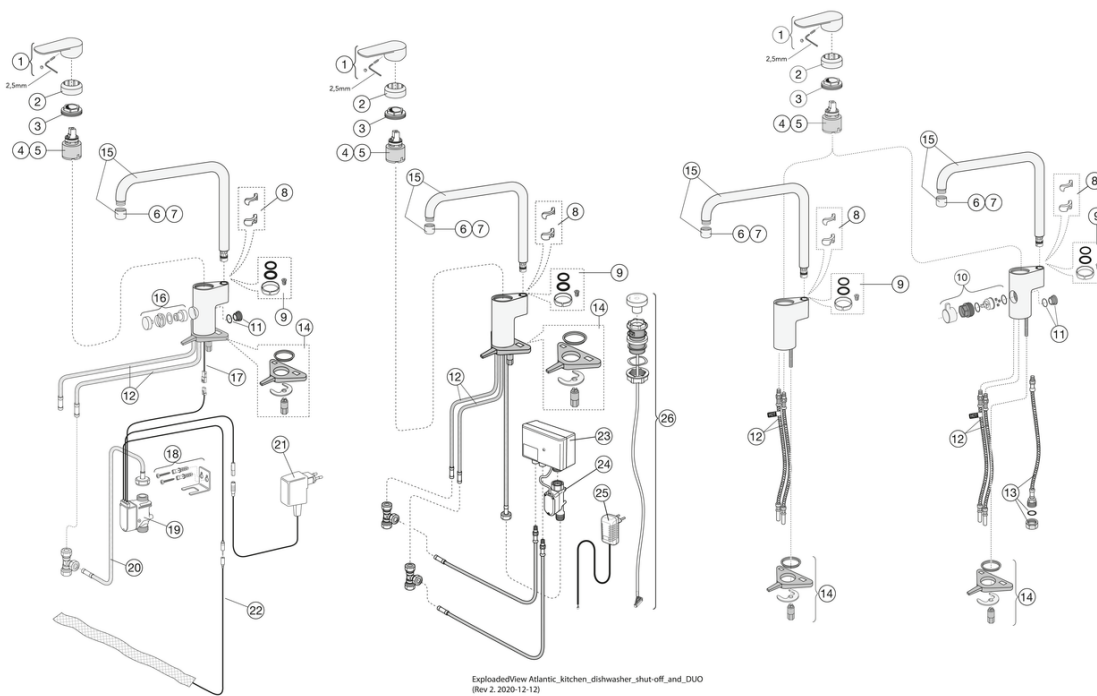
Denna produkt är anpassad till
Branschregler Saker Vatteninstallation
2021:1. Leverantören garanterar
produktens funktion om branschreglerna
och monteringsanvisningarna följs.



Technical information

- Max. tap capacity (at 300 kPa): 0,136 l/s
- Pressure loss with flow (0,2 l/s) 652 kPa
- CO2 Footprint: 6.899 kg

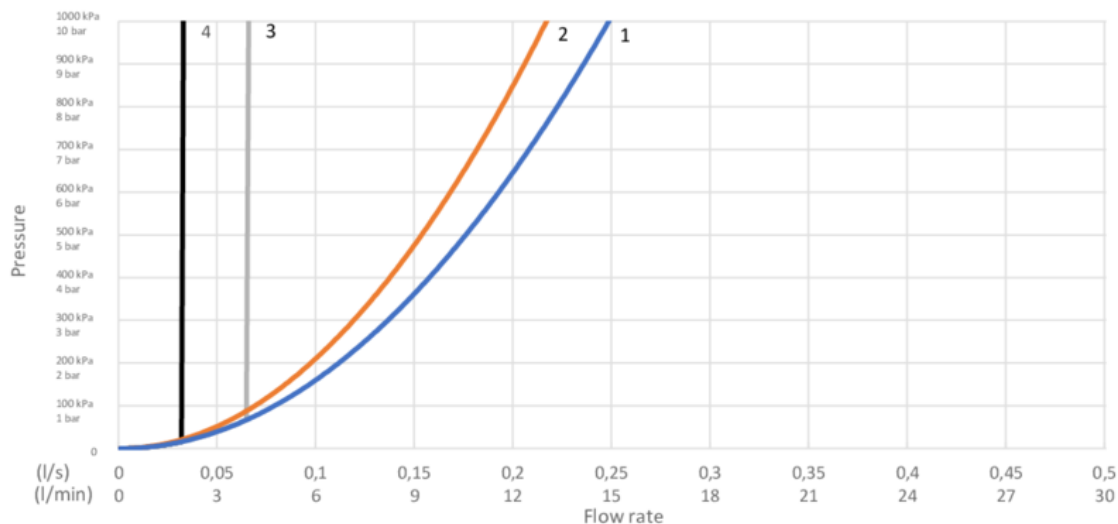
Spare parts



No.	Product	Art-no.
1	Lever, Atlantic	GB41639541 01
2	Cover	GB41639523 01
3	Nut - ceramic package	GB41639522 01
4	Ceramic package	GB41637393
5	Ceramic Cartridge	GB41639567 01
6	Aerator	GB41630129 01
7	Aerator	GB41639610 01
8	Swiveling limiter kit	GB41638450
9	O-ring set	GB41637010 01
10	Dishwasher shutdown	GB41639547 01
11	Plug, countertop dishwasher connection	GB41639525 01
12	SoftPex hose	GB41638721 02
13	Softpex hose 440 mm	GB41638701 01
14	Mounting kit - kitchen mixer	GB41639573 01
15	Spout, Atlantic	GB41639540 01
16	Control or dishwasher shutdown	GB41639707 01
17	Cable for electronic dishwasher shutdown	GB41639678 01
18	Bracket for electronic dishwasher shutdown	GB41639681 01
21	Power adapter, 220 V for electronic dishwasher shutdown	GB41639683 01
22	EXTRA SENSOR	FG0901201
24	Shut-off valve for duo	GB41639690 01
25	Power adapter, 220 V for duo	GB41639688 01
26	Control for duo	GB41639685 01

GUSTAVSBERG/

FLOW CHART/ Kitchen mixer Atlantic



-  1. Max flow
-  2. Dishwasher shut off valve
-  3. Optional aerator GB41638662 10
-  4. Optional aerator GB41638663 10

1. Max flow

- Flowrate at 300 kPa:	0,136 l/s
- Pressure at flow 0,1 l/s:	163 kPa
- Pressure at flow 0,2 l/s:	652 kPa
- Pressure at flow 0,33 l/s:	N/A

Rev, 1, 2020-10-29 Gustavsberg Labb

Villeroy & Boch Gustavsberg AB / Box 400, 134 29 Gustavsberg / Phone +46 (0)8-570 391 00 / www.gustavsberg.com / info@gustavsberg.com