



Quality of life since 1825

Kitchen mixer New Nautic – high Spout

Energy class C, dishwasher shut-off, G3/8 con

Product features

ECO-FLOW



COLD-START



ECO-STOP



QUICK FIT



- Easy grip lever with clear colour marking for hot and cold
- Soft move, technology for smooth and precise handling
- Pivoting spout 110° (0° and 60° block included)

Article numbers

Art-no.
GB41206098R

EAN
7393792234818

Packaging information

Length: 440 mm | Width: 275 mm | Height: 75 mm

Weight: 1.8 kg

Weight: 1 pc

Assembling & Care

Prior to installation the lines must be flushed up to the faucet. The faucet is connected with the cold water line on the right and the hot water line on the left. Water pressure: max 1000 kPa, min 50kPa. Hot water temperature: max 70°C, min 45°C. Please note that we are not liable for damage resulting from improper installation.

Energy labeling and certifications



CERTIFIERING
KONTROLL

RI
SE

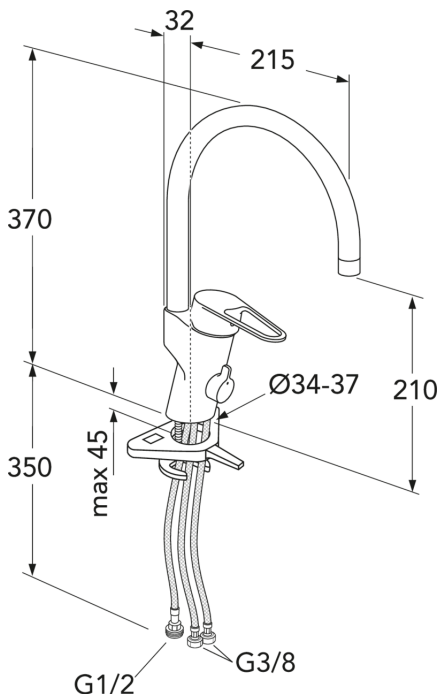


Denna produkt är anpassad till
Branschregler Säker Vatteninstallation
2021:1. Leverantören garanterar
produktens funktion om branschreglerna
och monteringsanvisningarna följs.



Technical information

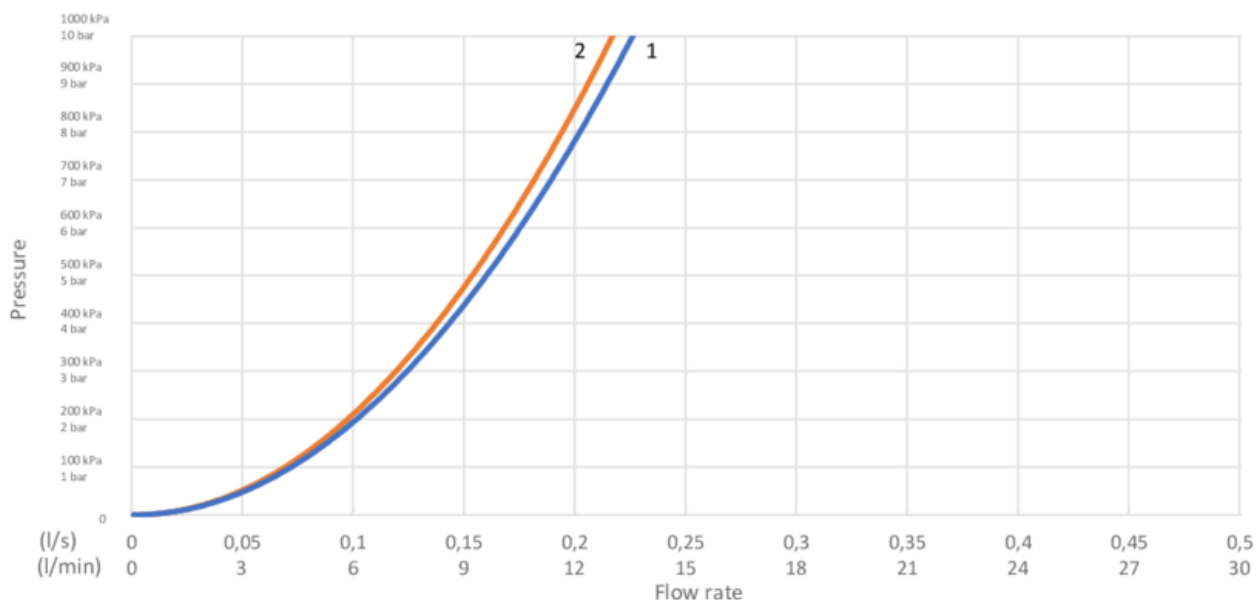
- Max. tap capacity (at 300 kPa): 0,123 l/s
- Pressure loss with flow (0,2 l/s) 789 kPa
- CO2 Footprint: 6.15 kg
- Standard connection dimension: G10



GUSTAVSBERG/

FLOW CHART/

Kitchen mixer, energy class C New Nautic



- 1. Max flow
- 2. Dishwasher shut off valve

1. Max flow

- Flowrate at 300 kPa:	0,123 l/s
- Pressure at flow 0,1 l/s:	197 kPa
- Pressure at flow 0,2 l/s:	789 kPa
- Pressure at flow 0,33 l/s:	N/A

Rev, 1, 2021-02-08 Gustavsberg Labb

Villeroy & Boch Gustavsberg AB / Box 400, 134 29 Gustavsberg / Phone +46 (0)8-570 391 00 / www.gustavsberg.com / info@gustavsberg.com