



Quality of life since 1825

# Kitchen mixer New Nautic – high Spout

Lead free, energy class B

## Product features



- Contains less than 0.1% lead
- Energy Class B
- Cold-start, only cold water when the lever is in straight forward position

## Article numbers

Art-no.  
GB412060560

EAN  
7393792235457

## Packaging information

Length: 440 mm | Width: 275 mm | Height: 75 mm

Weight: 1.7 kg

Weight: 1 pc

## Assembling & Care

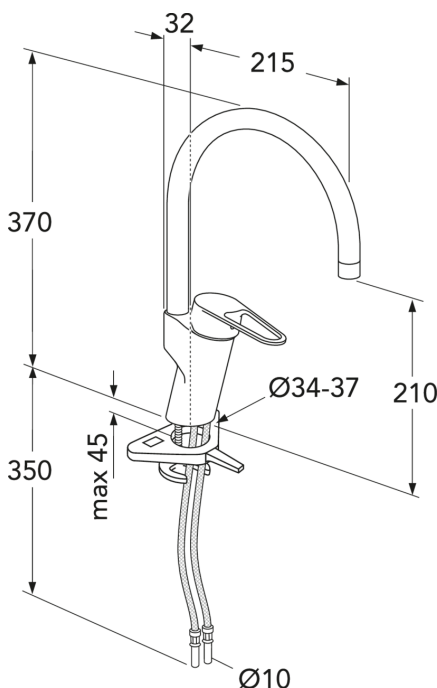
Prior to installation the lines must be flushed up to the faucet. The faucet is connected with the cold water line on the right and the hot water line on the left. Water pressure: max 1000 kPa, min 50kPa. Hot water temperature: max 70°C, min 45°C. Please note that we are not liable for damage resulting from improper installation.

## Energy labeling and certifications



## Technical information

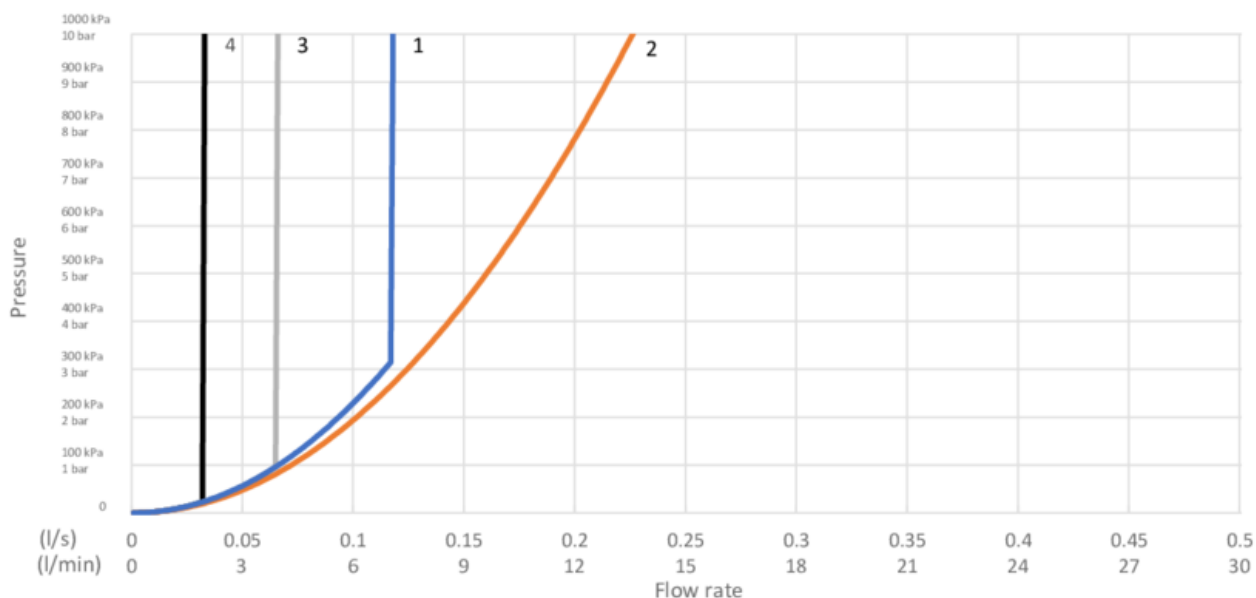
- Max. tap capacity (at 300 kPa): 0,113 l/s
- CO2 Footprint: 7.87 kg
- Standard connection dimension: 10mm



# GUSTAVSBERG/

## FLOW CHART/

### Kitchen mixer, energy class B New Nautic



- 1. Max flow
- 2. Dishwasher shut off valve
- 3. Optional aerator GB41638662 10
- 4. Optional aerator GB41638663 10

#### 1. Max flow

- Flowrate at 300 kPa:	0,113 l/s
- Pressure at flow 0,1 l/s:	234 kPa
- Pressure at flow 0,2 l/s:	N/A
- Pressure at flow 0,33 l/s:	N/A

Rev, 2, 2020-12-21 Gustavsberg Labb

Villeroy & Boch Gustavsberg AB / Box 400, 134 29 Gustavsberg / Phone +46 (0)8-570 391 00 / [www.gustavsberg.com](http://www.gustavsberg.com) / [info@gustavsberg.com](mailto:info@gustavsberg.com)