



Quality of life since 1825

# Washbasin mixer New Nautic – 150 mm

With side spray, wall bracket and shutoff valve

## Product features

ECO-FLOW



ECO-STOP



COLD-START



SMART INSIDE



QUICK FIT



- Energy Class A
- Cold-start, only cold water when the lever is in straight forward position
- Easy grip lever with clear colour marking for hot and cold

## Article numbers

Art-no.  
GB41216185

EAN  
7393792235075

## Packaging information

Length: 290 mm | Width: 290 mm | Height: 75 mm

Weight: 3.32 kg

Weight: 1 pc

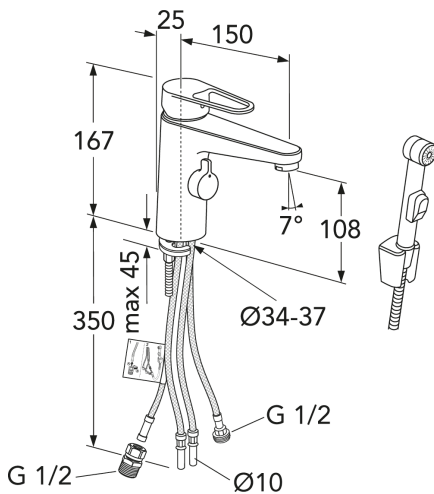
## Assembling & Care

Prior to installation the lines must be flushed up to the faucet. The faucet is connected with the cold water line on the right and the hot water line on the left. Water pressure: max 1000 kPa, min 50kPa. Hot water temperature: max 70°C, min 45°C. Please note that we are not liable for damage resulting from improper installation.

## Energy labeling and certifications



Denna produkt är anpassad till Branschregler SÄKER Vatteninstallation 2021:1. Leverantören garanterar produktens funktion om branschreglerna och monteringsanvisningarna följs.



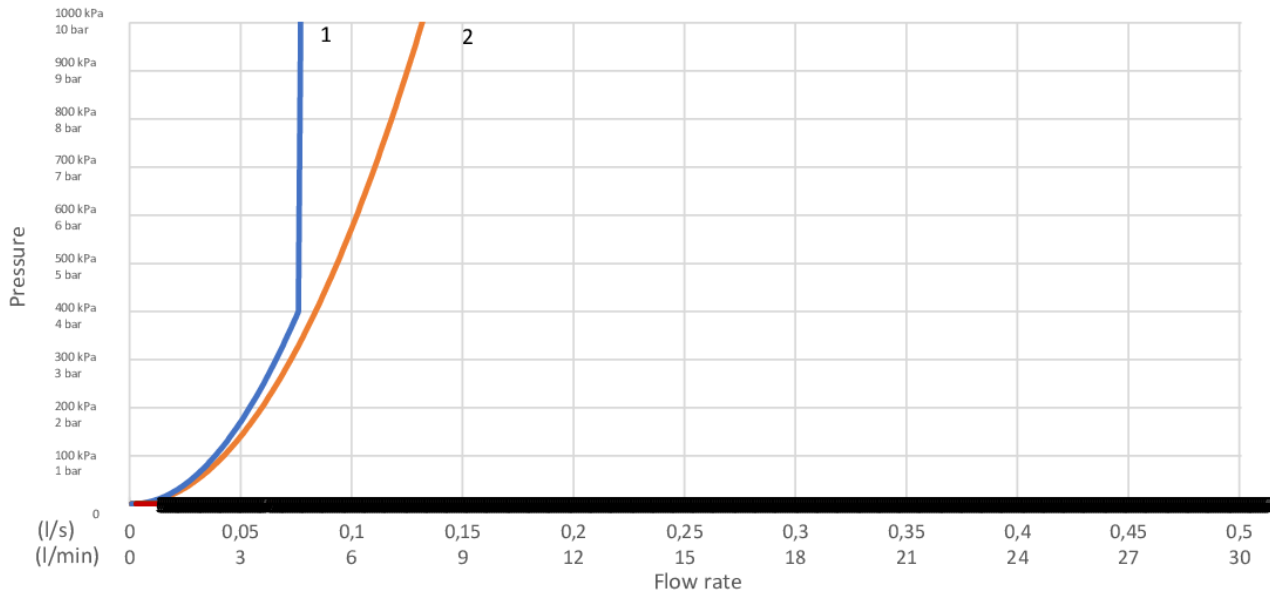
## Technical information

- Max. tap capacity (at 300 kPa): 0,065 l/s
- Standard connection dimension: 10mm

# GUSTAVSBERG/

## FLOW CHART/

### Washbasin mixer multi, energy class A



- 1. Max flow
- 2. Side Spray

#### 1. Max flow

- Flowrate at 300 kPa:	0,065 l/s
- Pressure at flow 0,1 l/s:	N/A
- Pressure at flow 0,2 l/s:	N/A
- Pressure at flow 0,33 l/s:	N/A

#### 2. Side Spray

- Flowrate at 300 kPa:	0,072 l/s
- Pressure at flow 0,1 l/s:	N/A
- Pressure at flow 0,2 l/s:	N/A
- Pressure at flow 0,33 l/s:	N/A

Rev, 2, 2026-03-30 Gustavsberg Labb

Villeroy & Boch Gustavsberg AB / Box 400, 134 29 Gustavsberg / Phone +46 (0)8-570 391 00 / [www.gustavsberg.com](http://www.gustavsberg.com) / [info@gustavsberg.com](mailto:info@gustavsberg.com)