



Quality of life since 1825

Shower mixer New Nautic

Shower connection upwards, 160 c-c

Product features

Article numbers

Art-no.
GB41206024

EAN
7391530077130

Packaging information

Length: 225 mm | Width: 205 mm | Height: 70 mm

Weight: 1.63 kg

Weight: 1 pc

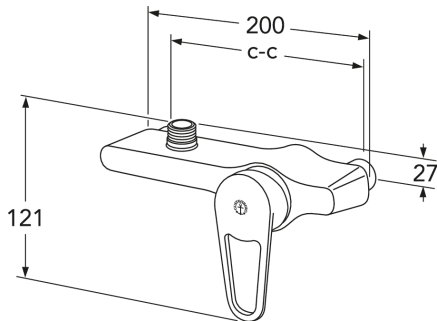
Assembling & Care

Energy labeling and certifications



Technical information

- Max. tap capacity (at 300 kPa): 0,205 l/s
- Pressure loss with flow (0,2 l/s) 286 kPa

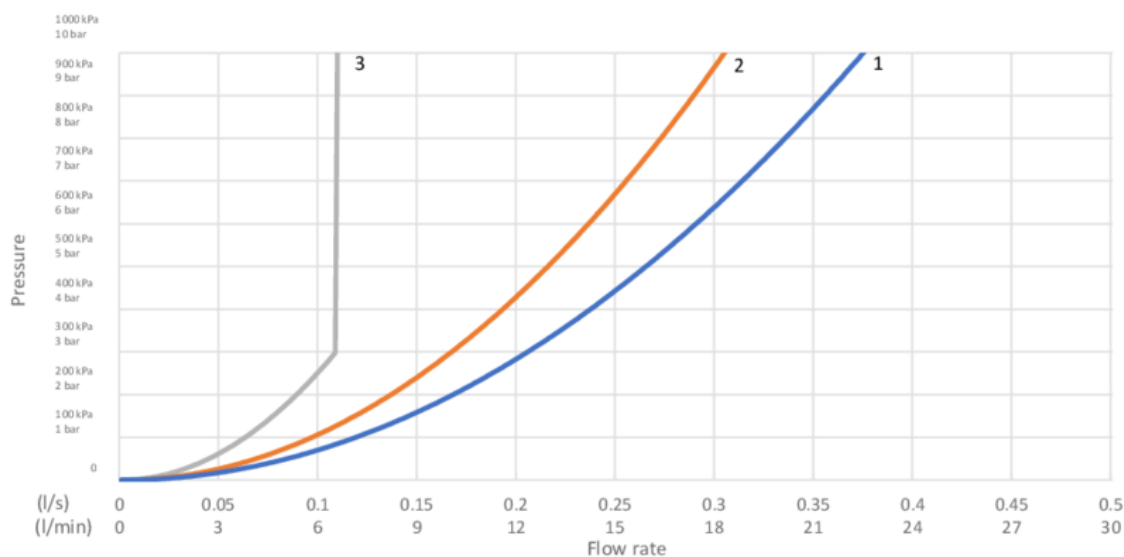


GUSTAVSBERG/

FLOW CHART/

Singel lever wall-mixer Nautic

GUSTAVSBERG /
SMARTER BATHROOMS



- 1. Restrictor class A
- 2. Duschset GB41103250
- 3. Duschset GB41103250 med reglerare 6,5 l/min (GB41638724 01)

1. Restrictor class A		2. Duschset GB41103250	
- Flow rate at 300 kPa:	0,205 l/s	- Flow rate at 300 kPa:	0,167 l/s
- Pressure at flow 0,1 l/s:	71 kPa	- Pressure at flow 0,1 l/s:	108 kPa
- Pressure at flow 0,2 l/s:	286 kPa	- Pressure at flow 0,2 l/s:	432 kPa
- Pressure at flow 0,33 l/s:	777 kPa	- Pressure at flow 0,33 l/s:	N/A

3. Duschset GB41103250 med reglerare 6,5 l/min (GB41638724 01)	
- Flow rate at 300 kPa:	0,108 l/s
- Pressure at flow 0,1 l/s:	256 kPa
- Pressure at flow 0,2 l/s:	N/A
- Pressure at flow 0,33 l/s:	N/A

Rev, 1, 2021-09-09 Gustavsberg Labb

Villeroy & Boch Gustavsberg AB / Box 400, 134 29 Gustavsberg / Phone +46 (0)8-570 391 00 / www.gustavsberg.com / info@gustavsberg.com