



Quality of life since 1825

Washbasin mixer Sensoric 1.0

Lead-free, sensor mixer, distance ring - 160 mm

Product features

SENSOR-
CONTROLLED
MIXER

LEAD-FREE



- Sensor that saves water and energy
- Contains less than 0.1% lead
- Adjustable comfort flow and comfort temperature

Article numbers

Art-no.
GB41218281

EAN
7391530080925

Packaging information

Length: 365 mm | Width: 105 mm | Height: 70 mm

Weight: 2.01 kg

Weight: 1 pc

Assembling & Care

Prior to installation the lines must be flushed up to the faucet. The faucet is connected with the cold water line on the right and the hot water line on the left. Water pressure: max 1000 kPa, min 50kPa. Hot water temperature: max 70°C, min 45°C. Please note that we are not liable for damage resulting from improper installation.

Energy labeling and certifications

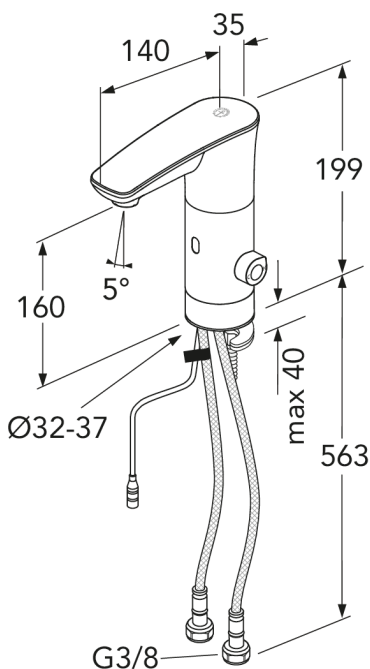


Den här produkten är anpassad till
Branschregler Säker Vatteninstallation
2021:1. Leverantören garanterar
produktens funktion om branschreglerna
och monteringsanvisningarna följs.

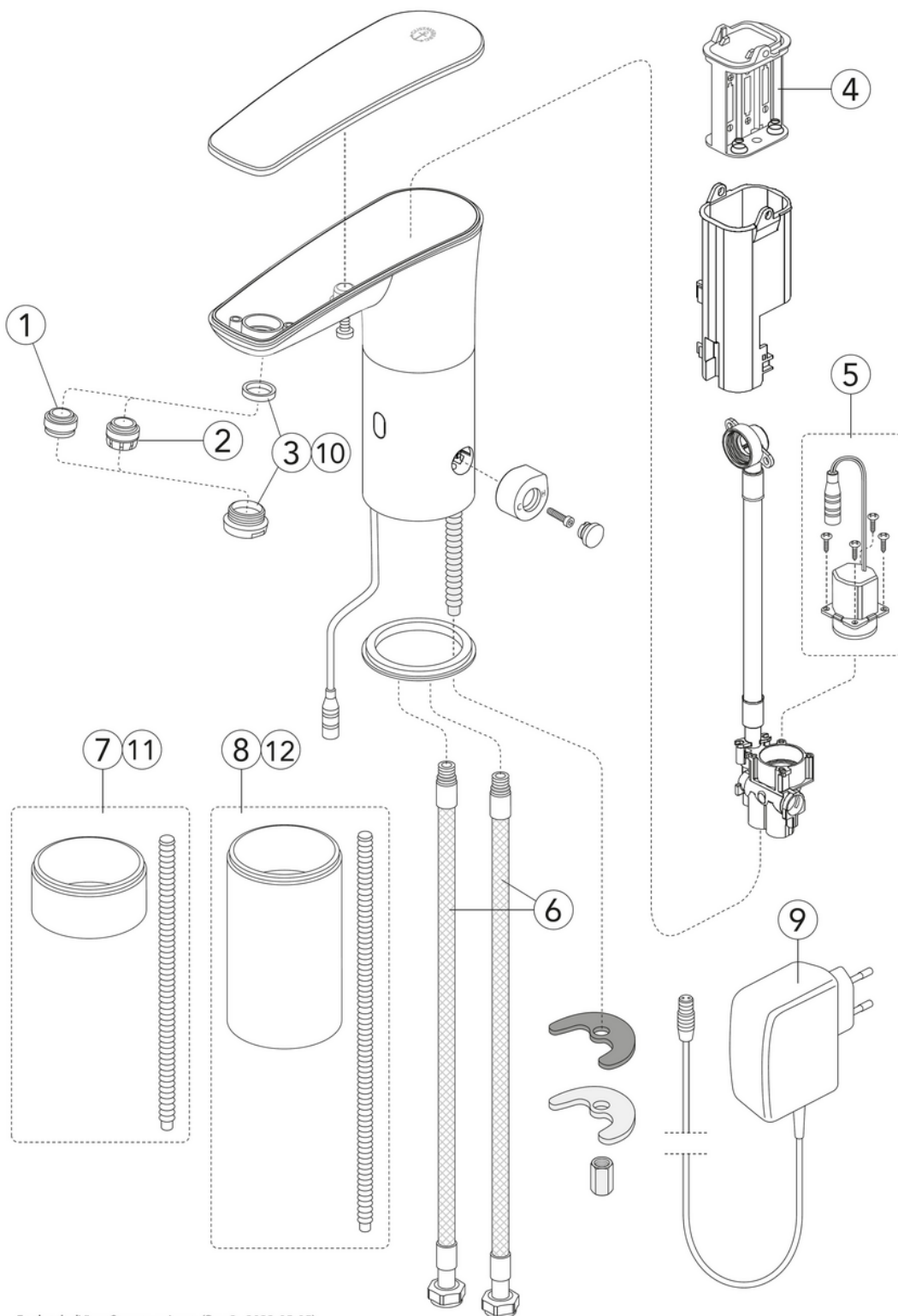


Technical information

- Max. tap capacity (at 300 kPa): 0,032 l/s
- Standard connection dimension: 3/8



Spare parts



ExplodedView Sensor_mixers (Rev 2. 2023-05-05)

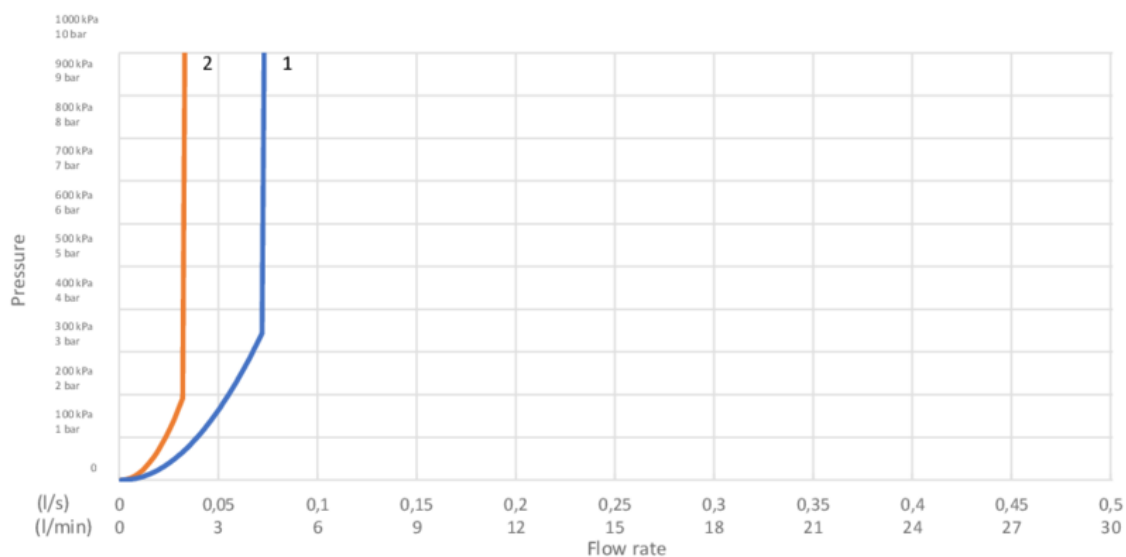
No.	Product	Art-no.
1	Aerator 0,5 gpm	GB4165033901
2	Aerator 1,2 gpm	GB4165033801
3	Aerator ring	GB4165033701
4	Battery house Sensoric.1.0	GB4165033501
5	Solenoid valve Sensoric 1.0	GB4165033601
6	Hose with check valve Sensoric 1.0	GB4165033302
7	Distance ring Sensoric 1.0	GB4165034101
8	Distance ring Sensoric 1.0	GB4165034201
9	Transformer 9V, 3m	GB4165034001
10	Aerator ring, Matte black	GB416503370153
11	Distance ring Sensoric 1.0	GB416503410153
12	Distance ring Sensoric 1.0	GB416503420153
13	Sensoric cord 3m	GB4165060101
14	Sensoric cord 1m	GB4165060001
16	Sensoric Adapter	GB4165059801

GUSTAVSBERG/

FLOW CHART/

Sensor Mixer Sensoric 1.0

GUSTAVSBERG /
SMARTER BATHROOMS



- 1. GB41218881 (4,3 l/min)
- 2. GB41218881 (1,9 l/min)

1. GB41218881 (4,3 l/min)		2. GB41218881 (1,9 l/min)	
- Flow rate at 300 kPa:	0,066 l/s	- Flow rate at 300 kPa:	0,032 l/s
- Pressure at flow 0,1 l/s:	N/A	- Pressure at flow 0,1 l/s:	N/A
- Pressure at flow 0,2 l/s:	N/A	- Pressure at flow 0,2 l/s:	N/A
- Pressure at flow 0,33 l/s:	N/A	- Pressure at flow 0,33 l/s:	N/A

Rev, 1, 2022-07-04 Gustavsberg Labb

Villeroy & Boch Gustavsberg AB / Box 400, 134 29 Gustavsberg / Phone +46 (0)8-570 391 00 / www.gustavsberg.com / info@gustavsberg.com