



Quality of life since 1825

Vannisegisti New Nautic – termostaat

Fikseeritud jookstoru, dušiühendus alla, 160 c-c

Toote Omadused

SMART INSIDE

SAFE TOUCH



- Safe Touch reduces the heat on the front of the mixer
- Maintains even water temperature during pressure and temperature changes
- To be completed with the wall shower

Article number

Art.nr.
GB41202333

EAN
7391530075945

Pakendiinfo

Pikkus: 292 mm | Laius: 160 mm | Kõrgus: 74 mm
Kaal: 2.05 kg
Number pakendis: 1 pc

Paigaldus ja hooldus

Enne paigaldamist tuleb torude loputamiseks lasta veel joosta. Segisti on ühendatud paremalt külmaveetoriga ja vasakult kuumaveetoriga. Veearve: max 1000 kPa, min 50 kPa. Kuuma vee temperatuur: max 80 °C, min 45 °C. Me ei vastuta valest paigaldusest tuleneva kahju eest.

Energiamärgistus ja vastavustunnistused

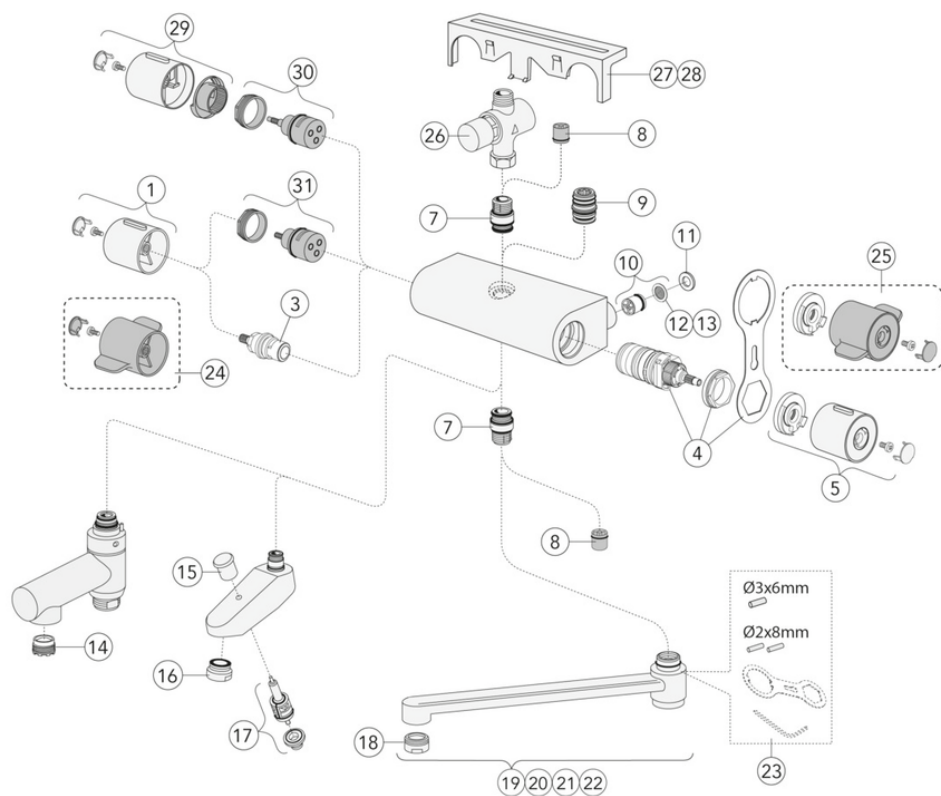


Tehniline info

- Max. tap capacity (at 300 kPa): 0,4 l/s
- Pressure loss with flow (0,33 l/s) 204 kPa
- CO₂e jalajälg: 7,07 kg
- Ühenduse mõõdud: 160 c-c



Varuosad



ExplodedView New Nautic_thermomixer_mixers (Rev 1. 2023-02-07)

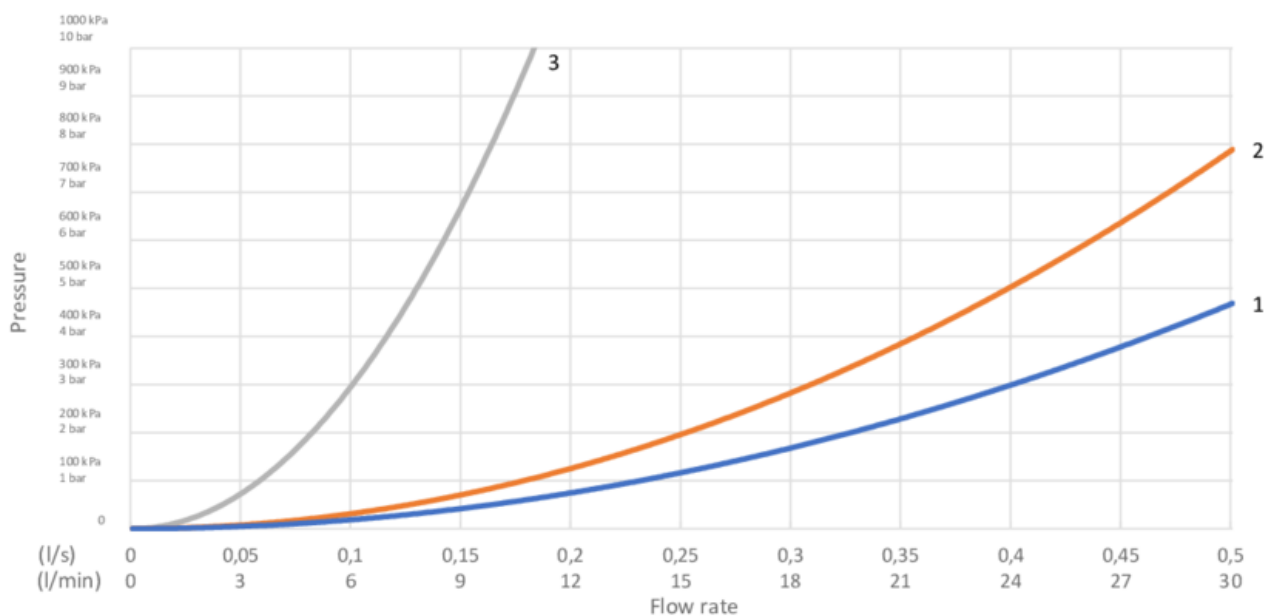


Nr.	Toote	Art.nr.
1	Nupp New Nautic – veehulk	GB4165021701
3	Vooluhulga ventiil New Nautic	GB41650292001
4		GB41638334 01
5	Nupp New Nautic – temperatuur	GB4165021901
7	Nippel New Nautic	GB4165020401
8		GB41634719 01
9	Nippel New Nautic	GB4165020601
10		GB41632698 02
11	Tihend New Nautic	GB41650355
12		GB41635633 02
13		GB41635633 10
14		GB41638542 01
15		GB41636822 01
16		GB41634555 01
17		GB41636577 01
18		GB41630131 01
19	Pööratav jooksutoru 85 mm	GB41650279
20	Pööratav jooksutoru 150 mm	GB41650282
21	Pööratav jooksutoru 250 mm	GB41650285
22	Jooksutoru 350 mm	GB41650288
23		GB41633972
24	Nupp New Nautic Care – veehulk	GB4165022101
25	Nupp New Nautic Care – temperatuur	GB4165022301
27	Riitul	GB41650052
28	Riitul	GB4165005253
29	Nupp New Nautic – veehulk	GB4165036301
30	Suundvahetaja New Nautic	GB4165035201
31	Suundvahetaja New Nautic	GB4165021301
32	Aeraator	GB4165021001
33		GB41634756 01
35		GB41634577
36		GB41638998 02
37	Ühendusnippel	GB41632815

GUSTAVSBERG/

FLOW CHART/

Thermostatic Bathtub Mixers



- 1. Max flow bathtub outlet
- 2. Bathtub outlet
- 3. Shower set GB41106250

1. Max flow bathtub outlet

- Flow rate at 300 kPa:	0,4 l/s
- Pressure at flow 0,1 l/s:	19 kPa
- Pressure at flow 0,2 l/s:	75 kPa
- Pressure at flow 0,33 l/s:	204 kPa

2. Bathtub outlet

- Flow rate at 300 kPa:	0,308 l/s
- Pressure at flow 0,1 l/s:	32 kPa
- Pressure at flow 0,2 l/s:	126 kPa
- Pressure at flow 0,33 l/s:	344 kPa

3. Shower set GB41106250

- Flow rate at 300 kPa:	0,1 l/s
- Pressure at flow 0,1 l/s:	300 kPa
- Pressure at flow 0,2 l/s:	N/A
- Pressure at flow 0,33 l/s:	N/A

Rev, 1, 2022-12-22 Gustavsberg Labb

Villeroy & Boch Gustavsberg AB / Box 400, 134 29 Gustavsberg / Phone +46 (0)8-570 391 00 / www.gustavsberg.com / info@gustavsberg.com