



Quality of life since 1825

Suihkusekoitin Estetic – termostaatti

Ulostulo alaspäin, 160 c-c

Tuotteen ominaisuudet

SMART INSIDE

SAFE TOUCH



- Including smart shelf for more storage space
- Maintains even water temperature during pressure and temperature changes
- Combines nicely with our various shower sets

Artikkelien numero

Art.nr.
GB41208404

EAN
7391530076119

Pakkaustiedot

Pituus: 292 mm | Leveys: 95 mm | Korkeus: 74 mm

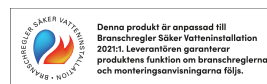
Paino: 1.92 kg

Pakkauksen numero: 1 pc

Kokoaminen & hoito

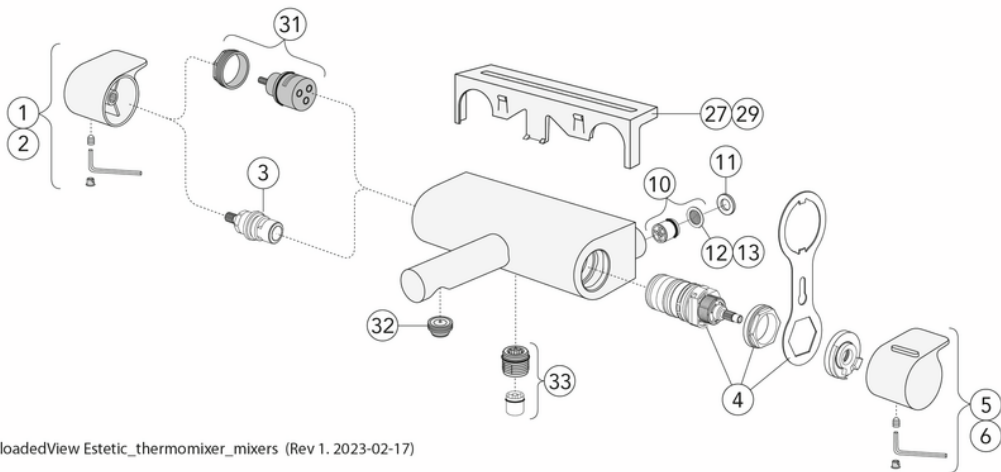
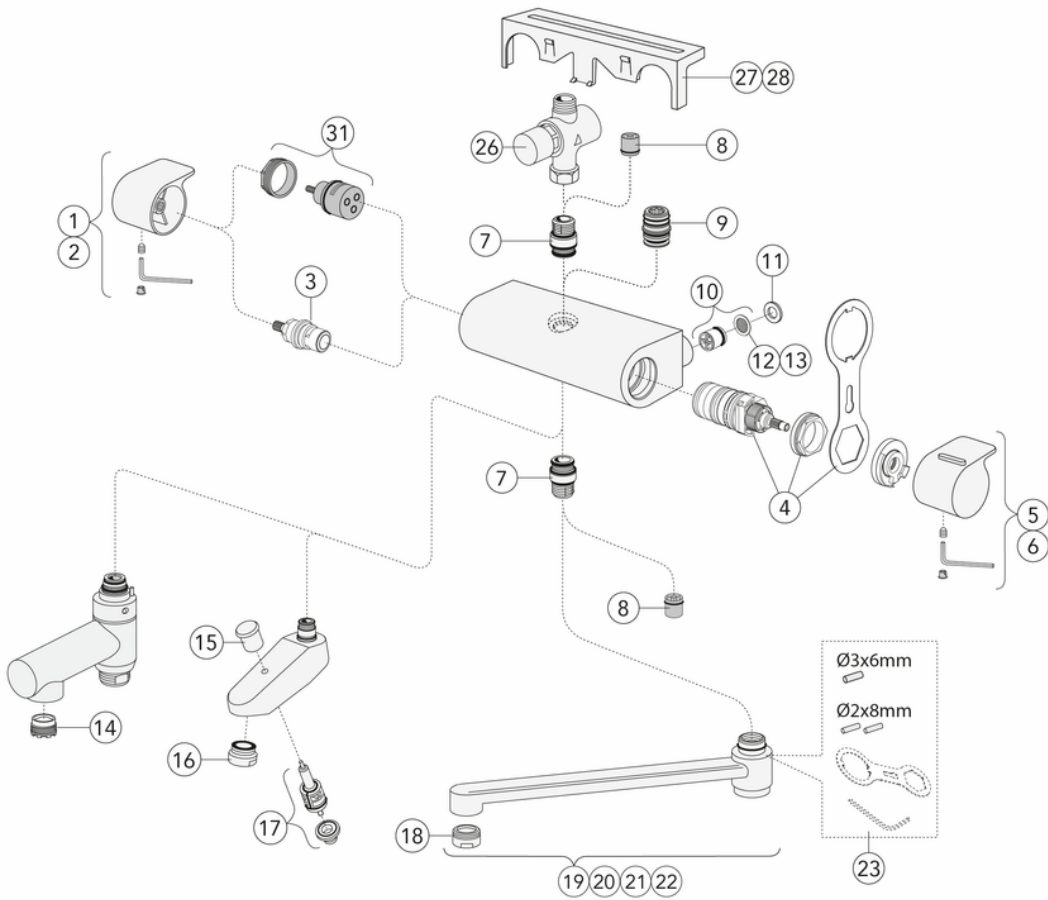
Putket on huuhdottava ennen asennusta. Hana kytketään oikealta kylmävesijohtoon ja vasemmalta kuumavesijohtoon. Vedenpaine: enintään 1000 kPa, vähintään 50 kPa. Kuuman veden lämpötila: enintään 80 °C, vähintään 45 °C. Huomaathan, että emme vastaa vahingoista, jotka johtuvat virheellisestä asennuksesta.

Energiamerkintä ja -sertifiointi



Tekniset tiedot

- Max. tap capacity (at 300 kPa): 0,425 l/s
- Pressure loss with flow (0,33 l/s) 181 kPa
- Tuotteen CO2e jalanjälki: 6,46 kg
- Liitäntäkokko: 160 c-c



ExplodedView Estetic_thermomixer_mixers (Rev 1. 2023-02-17)

| Nr. | Tuote | Art.nr. |
|-----|---------------------------------------|----------------|
| 1 | Kahva Estetic – määrä | GB4165023301 |
| 2 | Kahva Estetic – määrä | GB416502335301 |
| 3 | Käyttöventtiili Estetic | GB4165029301 |
| 4 | | GB41638334 01 |
| 5 | Kahva Estetic – lämpötila | GB4165023501 |
| 6 | Kahva Estetic matte black – lämpötila | GB416502355301 |
| 7 | Nippa Nautic | GB4165020401 |
| 8 | | GB41634719 01 |
| 9 | Nippa Nautic | GB4165020601 |
| 10 | | GB41632698 02 |
| 11 | Tiiviste Nautic | GB41650355 |
| 12 | | GB41635633 02 |
| 13 | | GB41635633 10 |
| 14 | | GB41638542 01 |
| 15 | | GB41636822 01 |
| 16 | | GB41634555 01 |
| 17 | Vaihdin | GB41636577 01 |
| 18 | | GB41630131 01 |
| 19 | Kääntyvä juoksuputki 85 mm | GB41650279 |
| 20 | Kääntyvä juoksuputki 150 mm | GB41650282 |
| 21 | Kääntyvä juoksuputki 250 mm | GB41650285 |
| 22 | Kääntyvä juoksuputki 350 mm | GB41650288 |
| 23 | | GB41633972 |
| 26 | Ajastettu painoventtiili | GB41639716 |
| 27 | Hylly | GB41650052 |
| 28 | Hylly | GB4165005253 |
| 29 | Kahva New Nautic – määrä | GB4165036301 |
| 31 | Vaihdin N Nautic | GB4165021301 |
| 32 | Ilmastin | GB4165021001 |
| 33 | | GB41634756 01 |
| 35 | | GB41634577 |
| 36 | | GB41638998 02 |
| 37 | Liitännänpippa, valmiiksi koottu | GB41632815 |

GUSTAVSBERG/

FLOW CHART/ Thermostatic Mixers



- 1. Max flow (bath- and shower outlet)
- 2. Bathtub outlet: Spouts GB41650247, GB41650320
- 3. Shower set GB41106250
- 4. Spout GB41650279 (85 mm)

| <p>1. Max flow (bath- and shower outlet)</p> <table border="1" style="width: 100%; border-collapse: collapse;"> <tr> <td style="width: 60%;">- Flow rate at 300 kPa:</td> <td>0,425 l/s</td> </tr> <tr> <td>- Pressure at flow 0,1 l/s:</td> <td>17 kPa</td> </tr> <tr> <td>- Pressure at flow 0,2 l/s:</td> <td>66 kPa</td> </tr> <tr> <td>- Pressure at flow 0,33 l/s:</td> <td>181 kPa</td> </tr> </table> | - Flow rate at 300 kPa: | 0,425 l/s | - Pressure at flow 0,1 l/s: | 17 kPa | - Pressure at flow 0,2 l/s: | 66 kPa | - Pressure at flow 0,33 l/s: | 181 kPa | <p>2. Bathtub outlet: Spouts GB41650247, GB41650320</p> <table border="1" style="width: 100%; border-collapse: collapse;"> <tr> <td style="width: 60%;">- Flow rate at 300 kPa:</td> <td>0,322 l/s</td> </tr> <tr> <td>- Pressure at flow 0,1 l/s:</td> <td>29 kPa</td> </tr> <tr> <td>- Pressure at flow 0,2 l/s:</td> <td>116 kPa</td> </tr> <tr> <td>- Pressure at flow 0,33 l/s:</td> <td>316 kPa</td> </tr> </table> | - Flow rate at 300 kPa: | 0,322 l/s | - Pressure at flow 0,1 l/s: | 29 kPa | - Pressure at flow 0,2 l/s: | 116 kPa | - Pressure at flow 0,33 l/s: | 316 kPa |
|----------------------------------------------------------------------------------------------------------------------------------------------------------------------------------------------------------------------------------------------------------------------------------------------------------------------------------------------------------------------------------------------------------------------|-------------------------|-----------|-----------------------------|---------|-----------------------------|--------|------------------------------|---------|----------------------------------------------------------------------------------------------------------------------------------------------------------------------------------------------------------------------------------------------------------------------------------------------------------------------------------------------------------------------------------------------------------------------------------|-------------------------|-----------|-----------------------------|--------|-----------------------------|---------|------------------------------|---------|
| - Flow rate at 300 kPa: | 0,425 l/s | | | | | | | | | | | | | | | | |
| - Pressure at flow 0,1 l/s: | 17 kPa | | | | | | | | | | | | | | | | |
| - Pressure at flow 0,2 l/s: | 66 kPa | | | | | | | | | | | | | | | | |
| - Pressure at flow 0,33 l/s: | 181 kPa | | | | | | | | | | | | | | | | |
| - Flow rate at 300 kPa: | 0,322 l/s | | | | | | | | | | | | | | | | |
| - Pressure at flow 0,1 l/s: | 29 kPa | | | | | | | | | | | | | | | | |
| - Pressure at flow 0,2 l/s: | 116 kPa | | | | | | | | | | | | | | | | |
| - Pressure at flow 0,33 l/s: | 316 kPa | | | | | | | | | | | | | | | | |
| <p>3. Shower set GB41106250</p> <table border="1" style="width: 100%; border-collapse: collapse;"> <tr> <td style="width: 60%;">- Flow rate at 300 kPa:</td> <td>0,1 l/s</td> </tr> <tr> <td>- Pressure at flow 0,1 l/s:</td> <td>300 kPa</td> </tr> <tr> <td>- Pressure at flow 0,2 l/s:</td> <td>N/A</td> </tr> <tr> <td>- Pressure at flow 0,33 l/s:</td> <td>N/A</td> </tr> </table> | - Flow rate at 300 kPa: | 0,1 l/s | - Pressure at flow 0,1 l/s: | 300 kPa | - Pressure at flow 0,2 l/s: | N/A | - Pressure at flow 0,33 l/s: | N/A | <p>4. Spout GB41650279 (85 mm)</p> <table border="1" style="width: 100%; border-collapse: collapse;"> <tr> <td style="width: 60%;">- Flow rate at 300 kPa:</td> <td>0,265 l/s</td> </tr> <tr> <td>- Pressure at flow 0,1 l/s:</td> <td>43 kPa</td> </tr> <tr> <td>- Pressure at flow 0,2 l/s:</td> <td>171 kPa</td> </tr> <tr> <td>- Pressure at flow 0,33 l/s:</td> <td>465 kPa</td> </tr> </table> | - Flow rate at 300 kPa: | 0,265 l/s | - Pressure at flow 0,1 l/s: | 43 kPa | - Pressure at flow 0,2 l/s: | 171 kPa | - Pressure at flow 0,33 l/s: | 465 kPa |
| - Flow rate at 300 kPa: | 0,1 l/s | | | | | | | | | | | | | | | | |
| - Pressure at flow 0,1 l/s: | 300 kPa | | | | | | | | | | | | | | | | |
| - Pressure at flow 0,2 l/s: | N/A | | | | | | | | | | | | | | | | |
| - Pressure at flow 0,33 l/s: | N/A | | | | | | | | | | | | | | | | |
| - Flow rate at 300 kPa: | 0,265 l/s | | | | | | | | | | | | | | | | |
| - Pressure at flow 0,1 l/s: | 43 kPa | | | | | | | | | | | | | | | | |
| - Pressure at flow 0,2 l/s: | 171 kPa | | | | | | | | | | | | | | | | |
| - Pressure at flow 0,33 l/s: | 465 kPa | | | | | | | | | | | | | | | | |

Rev, 1, 2022-12-28 Gustavsberg Labb

Villeroy & Boch Gustavsberg AB / Box 400, 134 29 Gustavsberg / Phone +46 (0)8-570 391 00 / www.gustavsberg.com / info@gustavsberg.com