



Quality of life since 1825

# Dušikomplekt New Nautic 2.1 – termostaat

Sh dušilift, energiaklass A, 160 c-c

## Toote Omadused

SMART INSIDE

SAFE TOUCH



- Safe Touch reduces the heat on the front of the mixer
- Maintains even water temperature during pressure and temperature changes
- Complete with energy class A shower set

## Article number

Art.nr.  
GB41202387

EAN  
7391530075952

## Pakendiinfo

Pikkus: 775 mm | Laius: 145 mm | Kõrgus: 80 mm

Kaal: 2.89 kg

Number pakendis: 1 pc

## Paigaldus ja hooldus

Enne paigaldamist tuleb torude loputamiseks lasta veel joosta. Segisti on ühendatud paremalt külmaveetoruga ja vasakult kuumaveetoruga. Veepuudus: max 1000 kPa, min 50 kPa. Kuumavee temperatuur: max 80 °C, min 45 °C. Me ei vastuta valest paigaldusest tuleneva kahju eest.

## Energiamärgistus ja vastavustunnistused

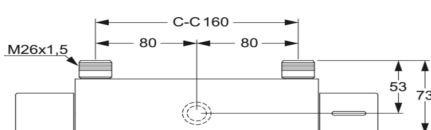
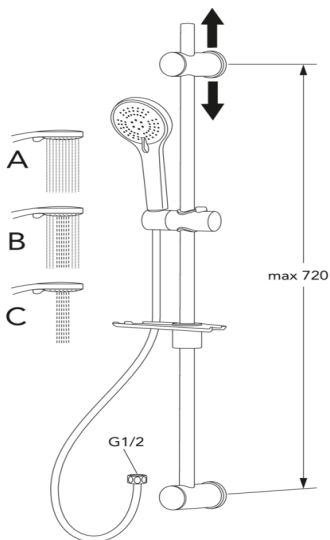


Denna produkt är anpassad till Branschregler Saker Vatteninstallation 2021:1. Leverantören garanterar produktens funktion om branschreglerna och monteringsanvisningarna följs.

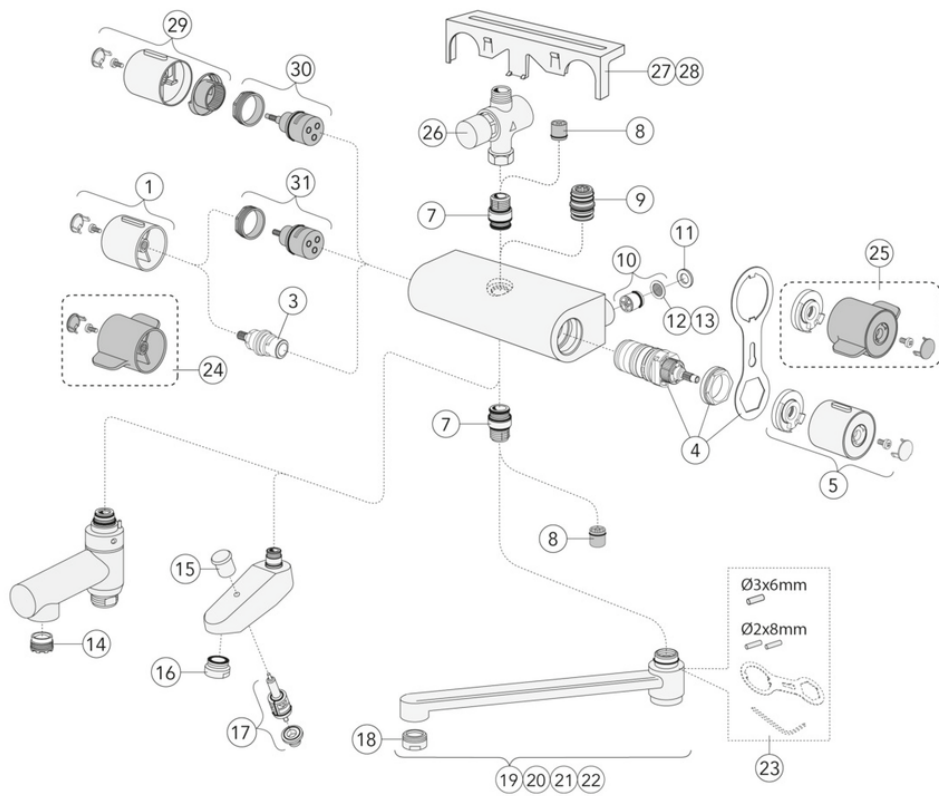


## Tehniline info

- Max. tap capacity (at 300 kPa): 0,1 l/s
- Pressure loss with flow (0,1 l/s) 300 kPa
- CO<sub>2</sub>e jalajälg: 15,7 kg
- Ühenduse mõõdud: 160 c-c



# Varuosad



ExplodedView New Nautic\_thermomixer\_mixers (Rev 1. 2023-02-07)



Nr.	Toote	Art.nr.
1	Nupp New Nautic – veehulk	GB4165021701
3	Vooluhulga ventiil New Nautic	GB41650292001
4		GB41638334 01
5	Nupp New Nautic – temperatuur	GB4165021901
7	Nippel New Nautic	GB4165020401
8		GB41634719 01
9	Nippel New Nautic	GB4165020601
10		GB41632698 02
11	Tihend New Nautic	GB41650355
12		GB41635633 02
13		GB41635633 10
14		GB41638542 01
15		GB41636822 01
16		GB41634555 01
17		GB41636577 01
18		GB41630131 01
19	Pööratav jooksutoru 85 mm	GB41650279
20	Pööratav jooksutoru 150 mm	GB41650282
21	Pööratav jooksutoru 250 mm	GB41650285
22	Jooksutoru 350 mm	GB41650288
23		GB41633972
24	Nupp New Nautic Care – veehulk	GB4165022101
25	Nupp New Nautic Care – temperatuur	GB4165022301
26	Survenupp taimeriga	GB41639716
27	Riiul	GB41650052
28	Riiul	GB4165005253
29	Nupp New Nautic – veehulk	GB4165036301
30	Suundvahetaja New Nautic	GB4165035201
31	Suundvahetaja New Nautic	GB4165021301
32	Aeraator	GB4165021001
33		GB41634756 01
35		GB41634577
36		GB41638998 02
37	Ühendusnippel	GB41632815

# GUSTAVSBERG/

## FLOW CHART/ Thermostatic Mixers



- 1. Max flow (bath- and shower outlet)
- 2. Bathtub outlet: Spouts GB41650247, GB41650320
- 3. Shower set GB41106250
- 4. Spout GB41650279 (85 mm)

1. Max flow (bath- and shower outlet)		2. Bathtub outlet: Spouts GB41650247, GB41650320	
- Flow rate at 300 kPa:	0,425 l/s	- Flow rate at 300 kPa:	0,322 l/s
- Pressure at flow 0,1 l/s:	17 kPa	- Pressure at flow 0,1 l/s:	29 kPa
- Pressure at flow 0,2 l/s:	66 kPa	- Pressure at flow 0,2 l/s:	116 kPa
- Pressure at flow 0,33 l/s:	181 kPa	- Pressure at flow 0,33 l/s:	316 kPa

3. Shower set GB41106250		4. Spout GB41650279 (85 mm)	
- Flow rate at 300 kPa:	0,1 l/s	- Flow rate at 300 kPa:	0,265 l/s
- Pressure at flow 0,1 l/s:	300 kPa	- Pressure at flow 0,1 l/s:	43 kPa
- Pressure at flow 0,2 l/s:	N/A	- Pressure at flow 0,2 l/s:	171 kPa
- Pressure at flow 0,33 l/s:	N/A	- Pressure at flow 0,33 l/s:	465 kPa

Rev, 1, 2022-12-28 Gustavsberg Labb

Villeroy & Boch Gustavsberg AB / Box 400, 134 29 Gustavsberg / Phone +46 (0)8-570 391 00 / [www.gustavsberg.com](http://www.gustavsberg.com) / [info@gustavsberg.com](mailto:info@gustavsberg.com)