



Quality of life since 1825

Dušas komplekts New Nautic 2.1 – ar termostatu

letver dušas komplektu, enerģijas klase A, 160 c-c

Produkta īpašības

SMART INSIDE

SAFE TOUCH



- Safe Touch reduces the heat on the front of the mixer
- Maintains even water temperature during pressure and temperature changes
- Complete with energy class A shower set

Article number

Art.nr.
GB41202387

EAN
7391530075952

Pakuotēs informācija

Garums: 775 mm | Platums: 145 mm | Augstums: 80 mm

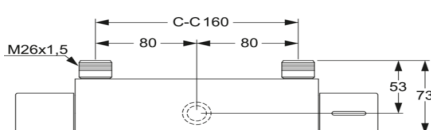
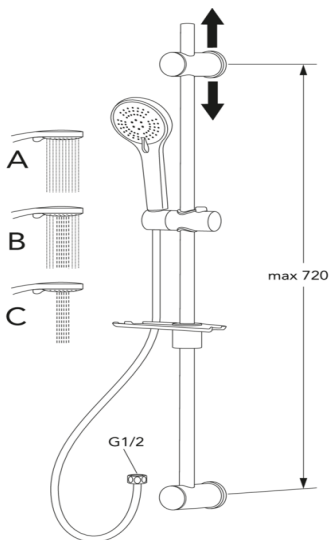
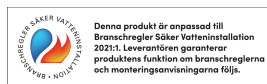
Svoris: 2.89 kg

Pakuotēs numeris: 1 pc

Montāža un kopšana

Pirms uzstādīšanas caurules ir jāpievada līdz ūdens jaucējkrānam. Ūdens jaucējkrāns tiek pievienots aukstā ūdens padeves caurulei labajā pusē un karstā ūdens padeves caurulei kreisajā pusē. Ūdens spiediens: maks. 1000 kPa, min. 50 kPa. Karstā ūdens temperatūra: maks. 80 °C, min. 45 °C. Ņemiet vērā, ka mēs neuzņemamies atbildību par bojājumiem, kas radušies nepareizas uzstādīšanas rezultātā.

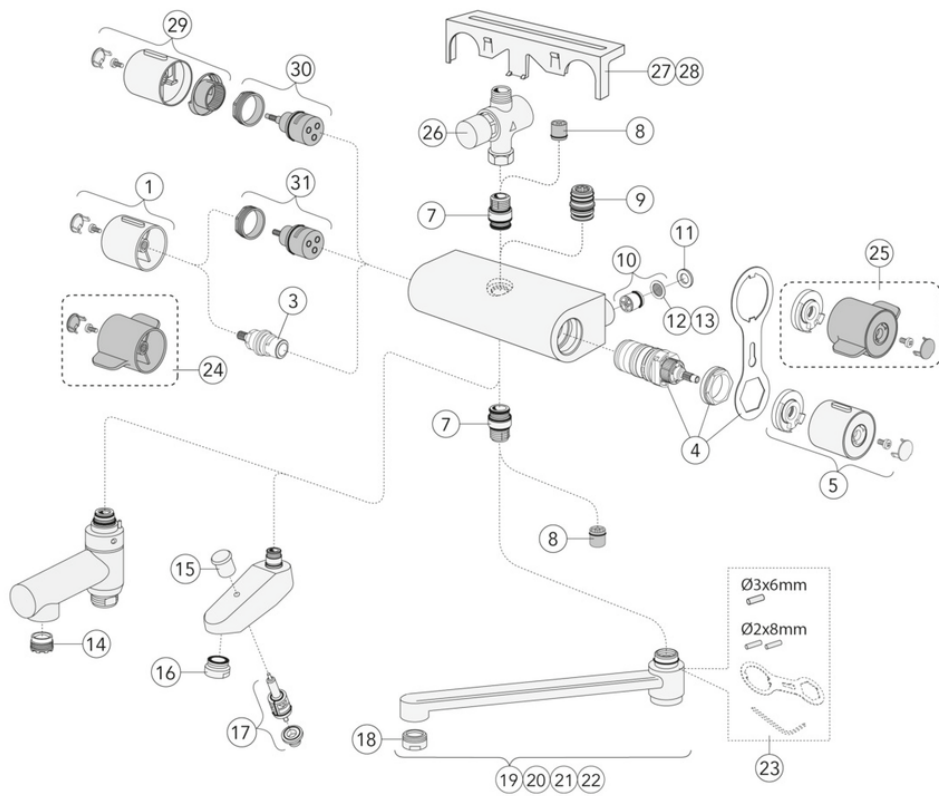
Enerģijas marķējums un sertifikāti



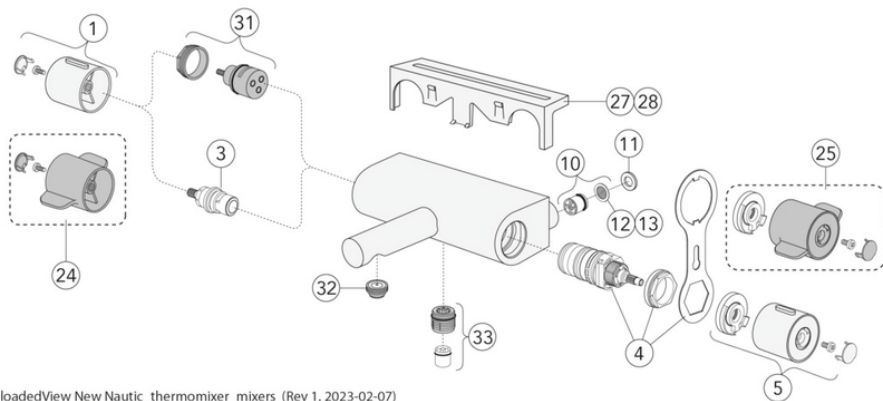
Techninē informācija

- Max. tap capacity (at 300 kPa): 0,1l/s
- Pressure loss with flow (0,1l/s) 300 kPa
- CO2e pēdas nospiedums: 15.7
- Standarta savienojuma dimensija: 160 c-c

Atsarginės dalys



ExplodedView New Nautic_thermomixer_mixers (Rev 1. 2023-02-07)



Nr.	Produkta	Art.nr.
1	Rokturis New Nautic apjomam	GB4165021701
3	Plūsmas regulators New Nautic	GB41650292001
4		GB41638334 01
5	Rokturis New Nautic temperatūrai	GB4165021901
7	Nipelis New Nautic	GB4165020401
8		GB41634719 01
9	Nipelis New Nautic	GB4165020601
10		GB41632698 02
11	Starplika New Nautic	GB41650355
12		GB41635633 02
13		GB41635633 10
14		GB41638542 01
15		GB41636822 01
16		GB41634555 01
17		GB41636577 01
18		GB41630131 01
19	Grozāms snīpis 85 mm	GB41650279
20	Grozāms snīpis 150 mm	GB41650282
21	Grozāms snīpis 250 mm	GB41650285
22	Grozāms snīpis 350 mm	GB41650288
23		GB41633972
24	Rokturis New Nautic Care apjomam	GB4165022101
25	Rokturis New Nautic Care temperatūrai	GB4165022301
26	Laika atskaites vārsts	GB41639716
27	Plaukts	GB41650052
28	Plaukts	GB4165005253
29	Rokturis New Nautic apjomam	GB4165036301
30	Plūsmas sadalītājs New Nautic	GB4165035201
31	Plūsmas sadalītājs New Nautic	GB4165021301
32	Aerators	GB4165021001
33		GB41634756 01
35		GB41634577
36		GB41638998 02
37	Savienojuma nipelis, pilnīgs	GB41632815

GUSTAVSBERG/

FLOW CHART/ Thermostatic Mixers



- 1. Max flow (bath- and shower outlet)
- 2. Bathtub outlet: Spouts GB41650247, GB41650320
- 3. Shower set GB41106250
- 4. Spout GB41650279 (85 mm)

<p>1. Max flow (bath- and shower outlet)</p> <table border="1" style="width: 100%; border-collapse: collapse;"> <tr> <td style="width: 60%;">- Flow rate at 300 kPa:</td> <td>0,425 l/s</td> </tr> <tr> <td>- Pressure at flow 0,1 l/s:</td> <td>17 kPa</td> </tr> <tr> <td>- Pressure at flow 0,2 l/s:</td> <td>66 kPa</td> </tr> <tr> <td>- Pressure at flow 0,33 l/s:</td> <td>181 kPa</td> </tr> </table>	- Flow rate at 300 kPa:	0,425 l/s	- Pressure at flow 0,1 l/s:	17 kPa	- Pressure at flow 0,2 l/s:	66 kPa	- Pressure at flow 0,33 l/s:	181 kPa	<p>2. Bathtub outlet: Spouts GB41650247, GB41650320</p> <table border="1" style="width: 100%; border-collapse: collapse;"> <tr> <td style="width: 60%;">- Flow rate at 300 kPa:</td> <td>0,322 l/s</td> </tr> <tr> <td>- Pressure at flow 0,1 l/s:</td> <td>29 kPa</td> </tr> <tr> <td>- Pressure at flow 0,2 l/s:</td> <td>116 kPa</td> </tr> <tr> <td>- Pressure at flow 0,33 l/s:</td> <td>316 kPa</td> </tr> </table>	- Flow rate at 300 kPa:	0,322 l/s	- Pressure at flow 0,1 l/s:	29 kPa	- Pressure at flow 0,2 l/s:	116 kPa	- Pressure at flow 0,33 l/s:	316 kPa
- Flow rate at 300 kPa:	0,425 l/s																
- Pressure at flow 0,1 l/s:	17 kPa																
- Pressure at flow 0,2 l/s:	66 kPa																
- Pressure at flow 0,33 l/s:	181 kPa																
- Flow rate at 300 kPa:	0,322 l/s																
- Pressure at flow 0,1 l/s:	29 kPa																
- Pressure at flow 0,2 l/s:	116 kPa																
- Pressure at flow 0,33 l/s:	316 kPa																
<p>3. Shower set GB41106250</p> <table border="1" style="width: 100%; border-collapse: collapse;"> <tr> <td style="width: 60%;">- Flow rate at 300 kPa:</td> <td>0,1 l/s</td> </tr> <tr> <td>- Pressure at flow 0,1 l/s:</td> <td>300 kPa</td> </tr> <tr> <td>- Pressure at flow 0,2 l/s:</td> <td>N/A</td> </tr> <tr> <td>- Pressure at flow 0,33 l/s:</td> <td>N/A</td> </tr> </table>	- Flow rate at 300 kPa:	0,1 l/s	- Pressure at flow 0,1 l/s:	300 kPa	- Pressure at flow 0,2 l/s:	N/A	- Pressure at flow 0,33 l/s:	N/A	<p>4. Spout GB41650279 (85 mm)</p> <table border="1" style="width: 100%; border-collapse: collapse;"> <tr> <td style="width: 60%;">- Flow rate at 300 kPa:</td> <td>0,265 l/s</td> </tr> <tr> <td>- Pressure at flow 0,1 l/s:</td> <td>43 kPa</td> </tr> <tr> <td>- Pressure at flow 0,2 l/s:</td> <td>171 kPa</td> </tr> <tr> <td>- Pressure at flow 0,33 l/s:</td> <td>465 kPa</td> </tr> </table>	- Flow rate at 300 kPa:	0,265 l/s	- Pressure at flow 0,1 l/s:	43 kPa	- Pressure at flow 0,2 l/s:	171 kPa	- Pressure at flow 0,33 l/s:	465 kPa
- Flow rate at 300 kPa:	0,1 l/s																
- Pressure at flow 0,1 l/s:	300 kPa																
- Pressure at flow 0,2 l/s:	N/A																
- Pressure at flow 0,33 l/s:	N/A																
- Flow rate at 300 kPa:	0,265 l/s																
- Pressure at flow 0,1 l/s:	43 kPa																
- Pressure at flow 0,2 l/s:	171 kPa																
- Pressure at flow 0,33 l/s:	465 kPa																

Rev, 1, 2022-12-28 Gustavsberg Labb

Villeroy & Boch Gustavsberg AB / Box 400, 134 29 Gustavsberg / Phone +46 (0)8-570 391 00 / www.gustavsberg.com / info@gustavsberg.com