



Quality of life since 1825

Shower mixer New Nautic 2.1

Lead-free, outlet downward, incl. shower set, 160 C-C.

Product features

SMART INSIDE



SAFE TOUCH



LEAD-FREE



- Safe Touch reduces the heat on the front of the faucet
- Maintains even water temperature upon pressure and temperature changes
- Contains less than 0.1% lead

Article numbers

Art-no.
GB412023870

EAN
7391530075716

Packaging information

Length: 775 mm | Width: 145 mm | Height: 80 mm

Weight: 2.89 kg

Weight: 1 pc

Assembling & Care

Prior to installation the lines must be flushed up to the faucet. The faucet is connected with the cold water line on the right and the hot water line on the left. Water pressure: max 1000 kPa, min 50kPa. Hot water temperature: max 80°C, min 45°C. Please note that we are not liable for damage resulting from improper installation.

Energy labeling and certifications

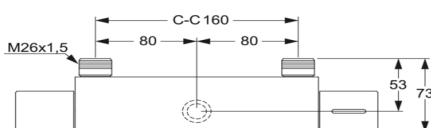
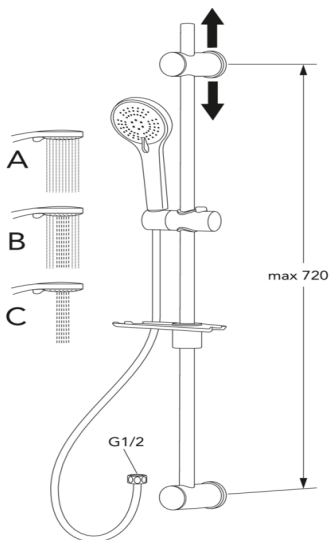
- Complies with Safe Water installation requirements.



CERTIFIERING
KONTROLL



Denne produkt er anpassad till
Branschregler S aker Vatteninstallation
2021:1. Leverant ren garanterar
produktens funktion  m branschreglerna
och monteringsanvisningarna f ljs.



Technical information

- Max. tap capacity (at 300 kPa): 0,1l/s
- Pressure loss with flow (0,1l/s) 300 kPa
- Standard connection dimension: 160 c-c

Spare parts



ExplodedView New Nautic_thermomixer_mixers (Rev 1. 2023-02-07)



No.	Product	Art-no.
1	Handle New Nautic - quantity	GB4165021701
3	Headwork New Nautic	GB41650292001
4	Thermostat cartridge	GB41638334 01
5	Handle New Nautic - temperature	GB4165021901
7	Nipple New Nautic	GB4165020401
8	Check valve dw 14	GB41634719 01
9	Nipple New Nautic	GB4165020601
10	Check valve with filter	GB41632698 02
11	Gasket New Nautic	GB41650355
12	Filter for non-return valve	GB41635633 02
13	Filter for non-return valve	GB41635633 10
14	Aerator	GB41638542 01
15	Pull switch	GB41636822 01
16	Aerator	GB41634555 01
17	Pull diverter	GB41636577 01
18	Aerator 24x1	GB41630131 01
19	Swivel spout 85 mm	GB41650279
20	Swivel spout 150 mm	GB41650282
21	Swivel spout 250 mm	GB41650285
22	Swivel spout 350 mm	GB41650288
23	Details for swivel limitation	GB41633972
24	Handle New Nautic Care - quantity	GB4165022101
25	Handle New Nautic Care - temprature	GB4165022301
26	Time Valve	GB41639716
27	Shelf	GB41650052
28	Shelf, Matt black	GB4165005253
29	Handle New Nautic - quantity	GB4165036301
30	Diverter New Nautic	GB4165035201
31	Diverter New Nautic	GB4165021301
32	Aerator	GB4165021001
33	Connection nipple	GB41634756 01
35	Details for 207420	GB41634577
36	Plug	GB41638998 02
37	Connection nipple complete	GB41632815

GUSTAVSBERG/

FLOW CHART/ Thermostatic Mixers



- 1. Max flow (bath- and shower outlet)
- 2. Bathtub outlet: Spouts GB41650247, GB41650320
- 3. Shower set GB41106250
- 4. Spout GB41650279 (85 mm)

<p>1. Max flow (bath- and shower outlet)</p> <table border="1" style="width: 100%; border-collapse: collapse;"> <tr> <td style="width: 30%;">- Flow rate at 300 kPa:</td> <td>0,425 l/s</td> </tr> <tr> <td>- Pressure at flow 0,1 l/s:</td> <td>17 kPa</td> </tr> <tr> <td>- Pressure at flow 0,2 l/s:</td> <td>66 kPa</td> </tr> <tr> <td>- Pressure at flow 0,33 l/s:</td> <td>181 kPa</td> </tr> </table>	- Flow rate at 300 kPa:	0,425 l/s	- Pressure at flow 0,1 l/s:	17 kPa	- Pressure at flow 0,2 l/s:	66 kPa	- Pressure at flow 0,33 l/s:	181 kPa	<p>2. Bathtub outlet: Spouts GB41650247, GB41650320</p> <table border="1" style="width: 100%; border-collapse: collapse;"> <tr> <td style="width: 30%;">- Flow rate at 300 kPa:</td> <td>0,322 l/s</td> </tr> <tr> <td>- Pressure at flow 0,1 l/s:</td> <td>29 kPa</td> </tr> <tr> <td>- Pressure at flow 0,2 l/s:</td> <td>116 kPa</td> </tr> <tr> <td>- Pressure at flow 0,33 l/s:</td> <td>316 kPa</td> </tr> </table>	- Flow rate at 300 kPa:	0,322 l/s	- Pressure at flow 0,1 l/s:	29 kPa	- Pressure at flow 0,2 l/s:	116 kPa	- Pressure at flow 0,33 l/s:	316 kPa
- Flow rate at 300 kPa:	0,425 l/s																
- Pressure at flow 0,1 l/s:	17 kPa																
- Pressure at flow 0,2 l/s:	66 kPa																
- Pressure at flow 0,33 l/s:	181 kPa																
- Flow rate at 300 kPa:	0,322 l/s																
- Pressure at flow 0,1 l/s:	29 kPa																
- Pressure at flow 0,2 l/s:	116 kPa																
- Pressure at flow 0,33 l/s:	316 kPa																
<p>3. Shower set GB41106250</p> <table border="1" style="width: 100%; border-collapse: collapse;"> <tr> <td style="width: 30%;">- Flow rate at 300 kPa:</td> <td>0,1 l/s</td> </tr> <tr> <td>- Pressure at flow 0,1 l/s:</td> <td>300 kPa</td> </tr> <tr> <td>- Pressure at flow 0,2 l/s:</td> <td>N/A</td> </tr> <tr> <td>- Pressure at flow 0,33 l/s:</td> <td>N/A</td> </tr> </table>	- Flow rate at 300 kPa:	0,1 l/s	- Pressure at flow 0,1 l/s:	300 kPa	- Pressure at flow 0,2 l/s:	N/A	- Pressure at flow 0,33 l/s:	N/A	<p>4. Spout GB41650279 (85 mm)</p> <table border="1" style="width: 100%; border-collapse: collapse;"> <tr> <td style="width: 30%;">- Flow rate at 300 kPa:</td> <td>0,265 l/s</td> </tr> <tr> <td>- Pressure at flow 0,1 l/s:</td> <td>43 kPa</td> </tr> <tr> <td>- Pressure at flow 0,2 l/s:</td> <td>171 kPa</td> </tr> <tr> <td>- Pressure at flow 0,33 l/s:</td> <td>465 kPa</td> </tr> </table>	- Flow rate at 300 kPa:	0,265 l/s	- Pressure at flow 0,1 l/s:	43 kPa	- Pressure at flow 0,2 l/s:	171 kPa	- Pressure at flow 0,33 l/s:	465 kPa
- Flow rate at 300 kPa:	0,1 l/s																
- Pressure at flow 0,1 l/s:	300 kPa																
- Pressure at flow 0,2 l/s:	N/A																
- Pressure at flow 0,33 l/s:	N/A																
- Flow rate at 300 kPa:	0,265 l/s																
- Pressure at flow 0,1 l/s:	43 kPa																
- Pressure at flow 0,2 l/s:	171 kPa																
- Pressure at flow 0,33 l/s:	465 kPa																

Rev, 1, 2022-12-28 Gustavsberg Labb

Villeroy & Boch Gustavsberg AB / Box 400, 134 29 Gustavsberg / Phone +46 (0)8-570 391 00 / www.gustavsberg.com / info@gustavsberg.com