



Quality of life since 1825

# Nordic brusearmatur – termostat

Udløb nedad, 150 c-c

## Produktegenskaber

SMART INSIDE

SAFE TOUCH



- Safe Touch-funktion reducerer varmen på forsiden af armaturet
- Opretholder en regelmæssig vandtemperatur under tryk- og temperaturændringer
- Kan suppleres med badekarstud

## Artikel nummer

VVS-nr.

722884204

Art-nr.

GB41211704

EAN

7391530077031

## Emballage

Længde: 292 mm | Bredde: 95 mm | Højde: 74 mm

Vægt: 1.67 kg

Antal i emballage: 1 st

## Montering & Rengøring

Før installation skal ledningerne være skyllet rene frem til blandingsbatteriet. Blandingsbatteriet tilsluttes med koldtvalsledning til højre og varmtvalsledning til venstre. Vandtryk: maks. 1000 kPa, min. 50 kPa. Varmtvandstemperatur: maks. 80 °C, min. 45 °C. Vi påtager os intet ansvar for fejl, som er opstået på grund af forkert montering.

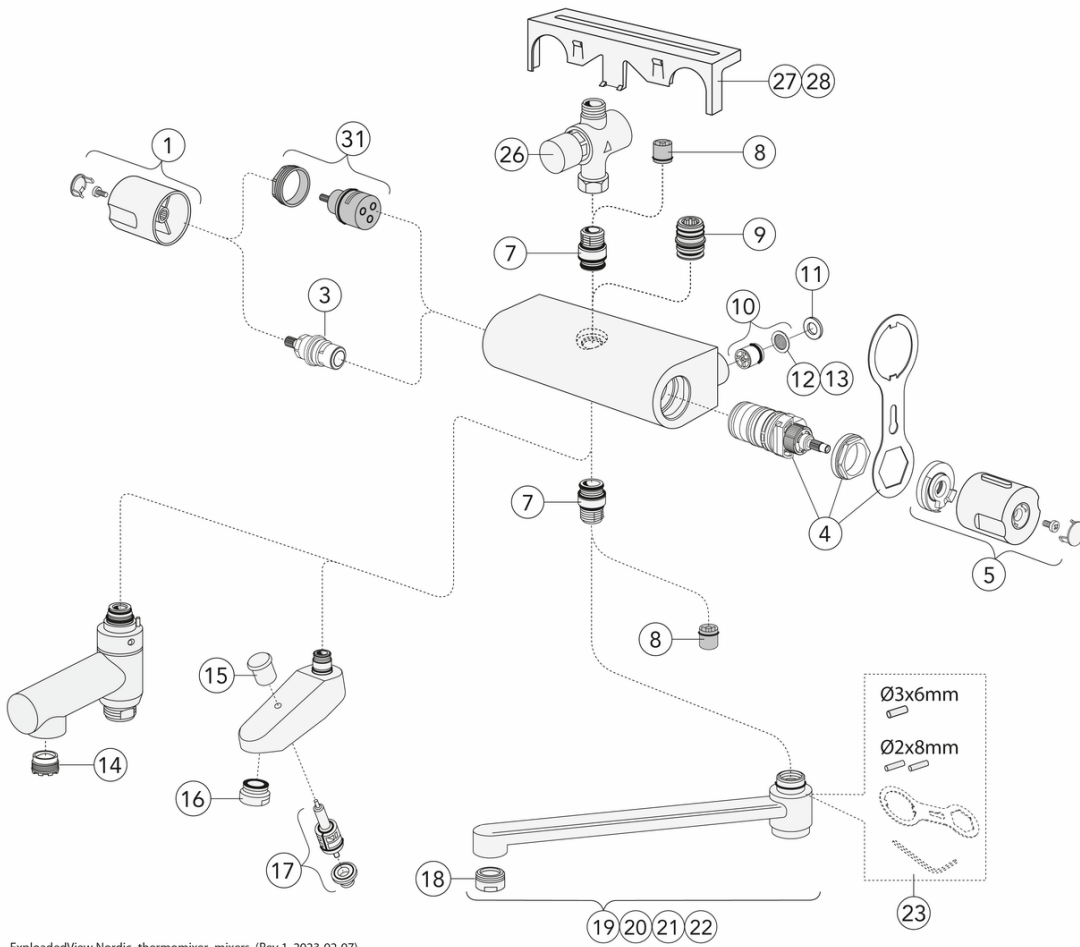
## Energimærkning og certificeringer



## Teknisk information

- Max. tap capacity (at 300 kPa): 0,425 l/s
- Pressure loss with flow (0,33 l/s) 181 kPa
- CO<sub>2</sub>-aftryk: 5,16 kg
- Tilslutningsdimension: 150 c-c

# Reserve dele



ExplodedView Nordic\_thermomixer\_mixers (Rev 1. 2023-02-07)

Nr.	Produkt	VVS-nr.	Art-nr.
1	Nordic håndtag – kvantitet		GB4165022901
3	Ny Nautic overstykke		GB41650292001
4		745156699	GB41638334 01
5	Nordic håndtag – temperatur		GB4165023101
7	Ny Nautic nippel		GB4165020401
8			GB41634719 01
9	Ny Nautic nippel		GB4165020601
10			GB41632698 02
11	Ny Nautic lukning		GB41650355
12			GB41635633 02
13			GB41635633 10
14			GB41638542 01
15			GB41636822 01
16			GB41634555 01
17			GB41636577 01
18			GB41630131 01
19	85 mm svingtud	728112908	GB41650279
20	150 mm svingtud	728112915	GB41650282
21	250 mm svingtud	728112925	GB41650285
22	350 mm svingtud	728112935	GB41650288
23			GB41633972
27	Hylde	722880804	GB41650052
28	Hylde	722880811	GB4165005253
31	Ny Nautic omskifter		GB4165021301

# GUSTAVSBERG/

## FLOW CHART/ Thermostatic Mixers



- 1. Max flow (bath- and shower outlet)
- 2. Bathtub outlet: Spouts GB41650247, GB41650320
- 3. Shower set GB41106250
- 4. Spout GB41650279 (85 mm)

<p><b>1. Max flow (bath- and shower outlet)</b></p> <table border="1" style="width: 100%; border-collapse: collapse;"> <tr> <td style="width: 60%;">- Flow rate at 300 kPa:</td> <td>0,425 l/s</td> </tr> <tr> <td>- Pressure at flow 0,1 l/s:</td> <td>17 kPa</td> </tr> <tr> <td>- Pressure at flow 0,2 l/s:</td> <td>66 kPa</td> </tr> <tr> <td>- Pressure at flow 0,33 l/s:</td> <td>181 kPa</td> </tr> </table>	- Flow rate at 300 kPa:	0,425 l/s	- Pressure at flow 0,1 l/s:	17 kPa	- Pressure at flow 0,2 l/s:	66 kPa	- Pressure at flow 0,33 l/s:	181 kPa	<p><b>2. Bathtub outlet: Spouts GB41650247, GB41650320</b></p> <table border="1" style="width: 100%; border-collapse: collapse;"> <tr> <td style="width: 60%;">- Flow rate at 300 kPa:</td> <td>0,322 l/s</td> </tr> <tr> <td>- Pressure at flow 0,1 l/s:</td> <td>29 kPa</td> </tr> <tr> <td>- Pressure at flow 0,2 l/s:</td> <td>116 kPa</td> </tr> <tr> <td>- Pressure at flow 0,33 l/s:</td> <td>316 kPa</td> </tr> </table>	- Flow rate at 300 kPa:	0,322 l/s	- Pressure at flow 0,1 l/s:	29 kPa	- Pressure at flow 0,2 l/s:	116 kPa	- Pressure at flow 0,33 l/s:	316 kPa
- Flow rate at 300 kPa:	0,425 l/s																
- Pressure at flow 0,1 l/s:	17 kPa																
- Pressure at flow 0,2 l/s:	66 kPa																
- Pressure at flow 0,33 l/s:	181 kPa																
- Flow rate at 300 kPa:	0,322 l/s																
- Pressure at flow 0,1 l/s:	29 kPa																
- Pressure at flow 0,2 l/s:	116 kPa																
- Pressure at flow 0,33 l/s:	316 kPa																
<p><b>3. Shower set GB41106250</b></p> <table border="1" style="width: 100%; border-collapse: collapse;"> <tr> <td style="width: 60%;">- Flow rate at 300 kPa:</td> <td>0,1 l/s</td> </tr> <tr> <td>- Pressure at flow 0,1 l/s:</td> <td>300 kPa</td> </tr> <tr> <td>- Pressure at flow 0,2 l/s:</td> <td>N/A</td> </tr> <tr> <td>- Pressure at flow 0,33 l/s:</td> <td>N/A</td> </tr> </table>	- Flow rate at 300 kPa:	0,1 l/s	- Pressure at flow 0,1 l/s:	300 kPa	- Pressure at flow 0,2 l/s:	N/A	- Pressure at flow 0,33 l/s:	N/A	<p><b>4. Spout GB41650279 (85 mm)</b></p> <table border="1" style="width: 100%; border-collapse: collapse;"> <tr> <td style="width: 60%;">- Flow rate at 300 kPa:</td> <td>0,265 l/s</td> </tr> <tr> <td>- Pressure at flow 0,1 l/s:</td> <td>43 kPa</td> </tr> <tr> <td>- Pressure at flow 0,2 l/s:</td> <td>171 kPa</td> </tr> <tr> <td>- Pressure at flow 0,33 l/s:</td> <td>465 kPa</td> </tr> </table>	- Flow rate at 300 kPa:	0,265 l/s	- Pressure at flow 0,1 l/s:	43 kPa	- Pressure at flow 0,2 l/s:	171 kPa	- Pressure at flow 0,33 l/s:	465 kPa
- Flow rate at 300 kPa:	0,1 l/s																
- Pressure at flow 0,1 l/s:	300 kPa																
- Pressure at flow 0,2 l/s:	N/A																
- Pressure at flow 0,33 l/s:	N/A																
- Flow rate at 300 kPa:	0,265 l/s																
- Pressure at flow 0,1 l/s:	43 kPa																
- Pressure at flow 0,2 l/s:	171 kPa																
- Pressure at flow 0,33 l/s:	465 kPa																

Rev, 1, 2022-12-28 Gustavsberg Labb

Villeroy & Boch Gustavsberg AB / Box 400, 134 29 Gustavsberg / Phone +46 (0)8-570 391 00 / [www.gustavsberg.com](http://www.gustavsberg.com) / [info@gustavsberg.com](mailto:info@gustavsberg.com)