



Quality of life since 1825

# Shower mixer New Nautic – Termostat

Lead-free, outlet up & down, 150 c-c

## Product features

SMART INSIDE



SAFE TOUCH



LEAD-FREE



- Safe Touch reduces heat on the front of the faucet
- Contains less than 0.1% lead
- Can be complemented with bathtub spout

## Article numbers

Art-no.  
GB412123020

EAN  
7391530076379

## Packaging information

Length: 292 mm | Width: 95 mm | Height: 74 mm

Weight: 1.83 kg

Weight: 1 pc

## Assembling & Care

Mounted according to the instructions. Prior to installation the lines must be flushed up to the faucet. The faucet is connected with the cold water line on the right and the hot water line on the left. Water pressure: max 1000 kPa, min 50kPa. Hot water temperature: max 80°C, min 45°C. Please note that we are not liable for damage resulting from improper installation.

## Energy labeling and certifications

- The product is adapted to fulfil Safe Water Installation industry guidelines



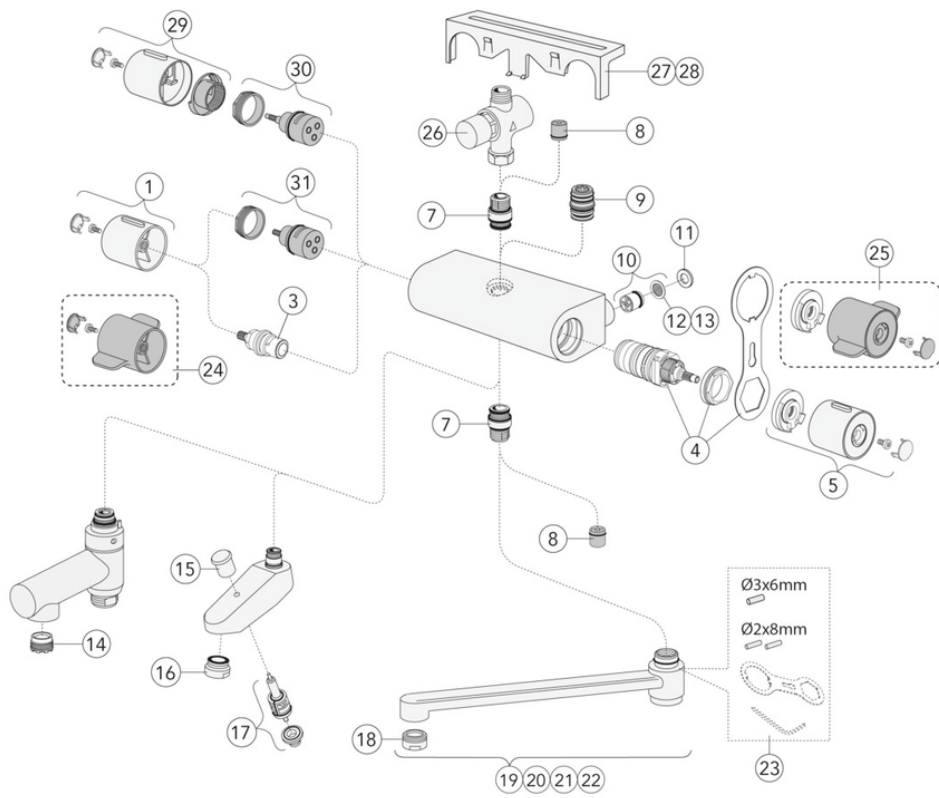
## Technical information

- Max. tap capacity (at 300 kPa): 0,465 l/s
- Pressure loss with flow (0,33 l/s) 151 kPa
- CO2 Footprint: 9.54 kg

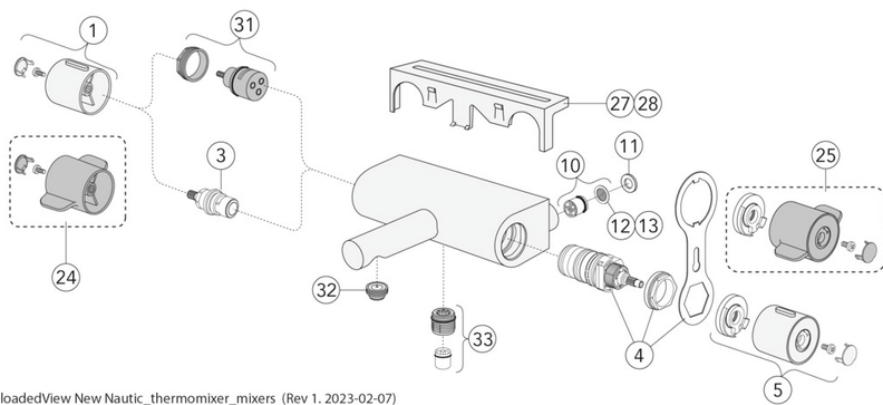


- Standard connection dimension: 150 c-c

# Spare parts



ExplodedView New Nautic\_thermomixer\_mixers (Rev 1. 2023-02-07)

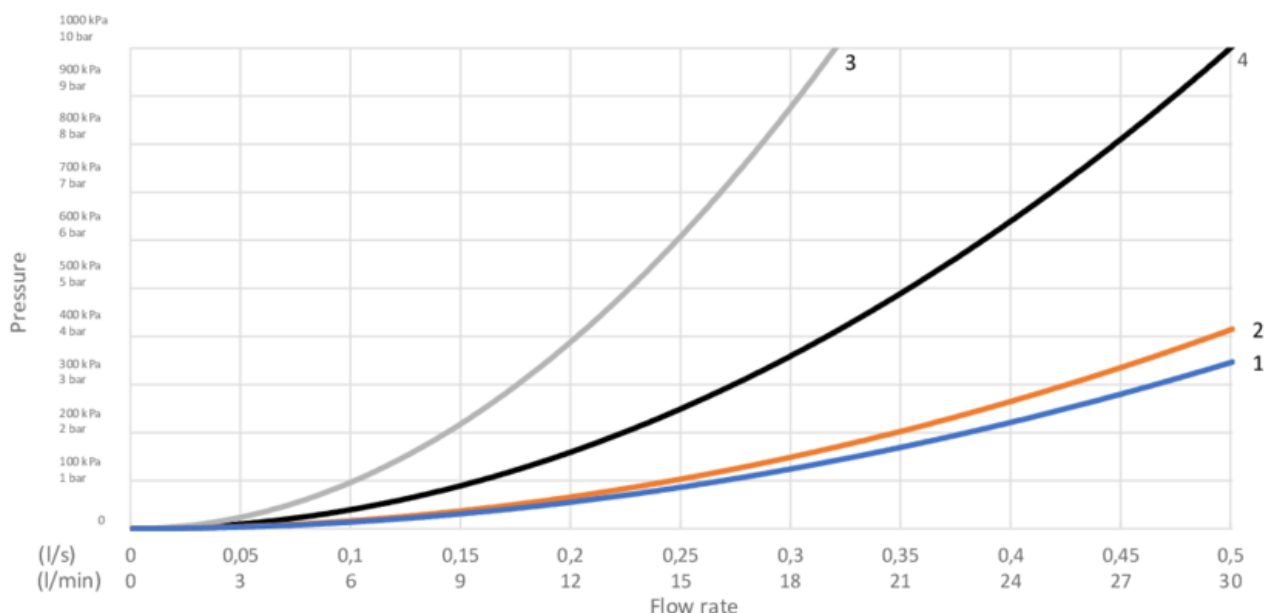


No.	Product	Art-no.
1	Handle New Nautic - quantity	GB4165021701
3	Headwork New Nautic	GB41650292001
4	Thermostat cartridge	GB41638334 01
5	Handle New Nautic - temperature	GB4165021901
7	Nipple New Nautic	GB4165020401
8	Check valve dw 14	GB41634719 01
9	Nipple New Nautic	GB4165020601
10	Check valve with filter	GB41632698 02
11	Gasket New Nautic	GB41650355
12	Filter for non-return valve	GB41635633 02
13	Filter for non-return valve	GB41635633 10
14	Aerator	GB41638542 01
15	Pull switch	GB41636822 01
16	Aerator	GB41634555 01
17	Pull diverter	GB41636577 01
18	Aerator 24x1	GB41630131 01
19	Swivel spout 85 mm	GB41650279
20	Swivel spout 150 mm	GB41650282
21	Swivel spout 250 mm	GB41650285
22	Swivel spout 350 mm	GB41650288
23	Details for swivel limitation	GB41633972
24	Handle New Nautic Care - quantity	GB4165022101
25	Handle New Nautic Care - temperature	GB4165022301
26	Time Valve	GB41639716
27	Shelf	GB41650052
28	Shelf, Matt black	GB4165005253
29	Handle New Nautic - quantity	GB4165036301
30	Diverter New Nautic	GB4165035201
31	Diverter New Nautic	GB4165021301
32	Aerator	GB4165021001
33	Connection nipple	GB41634756 01
35	Details for 207420	GB41634577
36	Plug	GB41638998 02
37	Connection nipple complete	GB41632815

# GUSTAVSBERG/

## FLOW CHART/

Thermostatic Mixers, Shower Columns, Spout 350 mm



- 1. Max flow (bath- and shower outlet)
- 2. Head shower GB41103230, GB41103235
- 3. Hand shower GB41103230, GB41103235
- 4. Spout GB41650288 (350 mm)

1. Max flow (bath- and shower outlet)		2. Head shower GB41103230, GB41103235	
- Flow rate at 300 kPa:	0,465 l/s	- Flow rate at 300 kPa:	0,425 l/s
- Pressure at flow 0,1 l/s:	14 kPa	- Pressure at flow 0,1 l/s:	17 kPa
- Pressure at flow 0,2 l/s:	56 kPa	- Pressure at flow 0,2 l/s:	66 kPa
- Pressure at flow 0,33 l/s:	151 kPa	- Pressure at flow 0,33 l/s:	181 kPa

3. Hand shower GB41103230, GB41103235		4. Spout GB41650288 (350 mm)	
- Flow rate at 300 kPa:	0,175 l/s	- Flow rate at 300 kPa:	0,273 l/s
- Pressure at flow 0,1 l/s:	98 kPa	- Pressure at flow 0,1 l/s:	40 kPa
- Pressure at flow 0,2 l/s:	392 kPa	- Pressure at flow 0,2 l/s:	161 kPa
- Pressure at flow 0,33 l/s:	N/A	- Pressure at flow 0,33 l/s:	437 kPa

Rev, 1, 2022-12-28 Gustavsberg Labb

Villeroy & Boch Gustavsberg AB / Box 400, 134 29 Gustavsberg / Phone +46 (0)8-570 391 00 / [www.gustavsberg.com](http://www.gustavsberg.com) / [info@gustavsberg.com](mailto:info@gustavsberg.com)