



Quality of life since 1825

Wall mixer New Nautic – Single lever

Connection downwards, 160 c-c.

Product features

- Grip-friendly lever with clear color marking for hot and cold water
- Soft move, ceramic package with smooth and precise operation
- Eco-stop, adjustable maximum flow limitation

Article numbers

Art-no.	EAN
GB41202014	7391530081830

Packaging information

Length: 210 mm | Width: 145 mm | Height: 92 mm

Weight: 1.91 kg

Weight: 1 pc

Assembling & Care

Prior to installation the lines must be flushed up to the faucet. The faucet is connected with the cold water line on the right and the hot water line on the left. Water pressure: max 1000 kPa, min 50kPa. Hot water temperature: max 80°C, min 45°C. Please note that we are not liable for damage resulting from improper installation.

Energy labeling and certifications

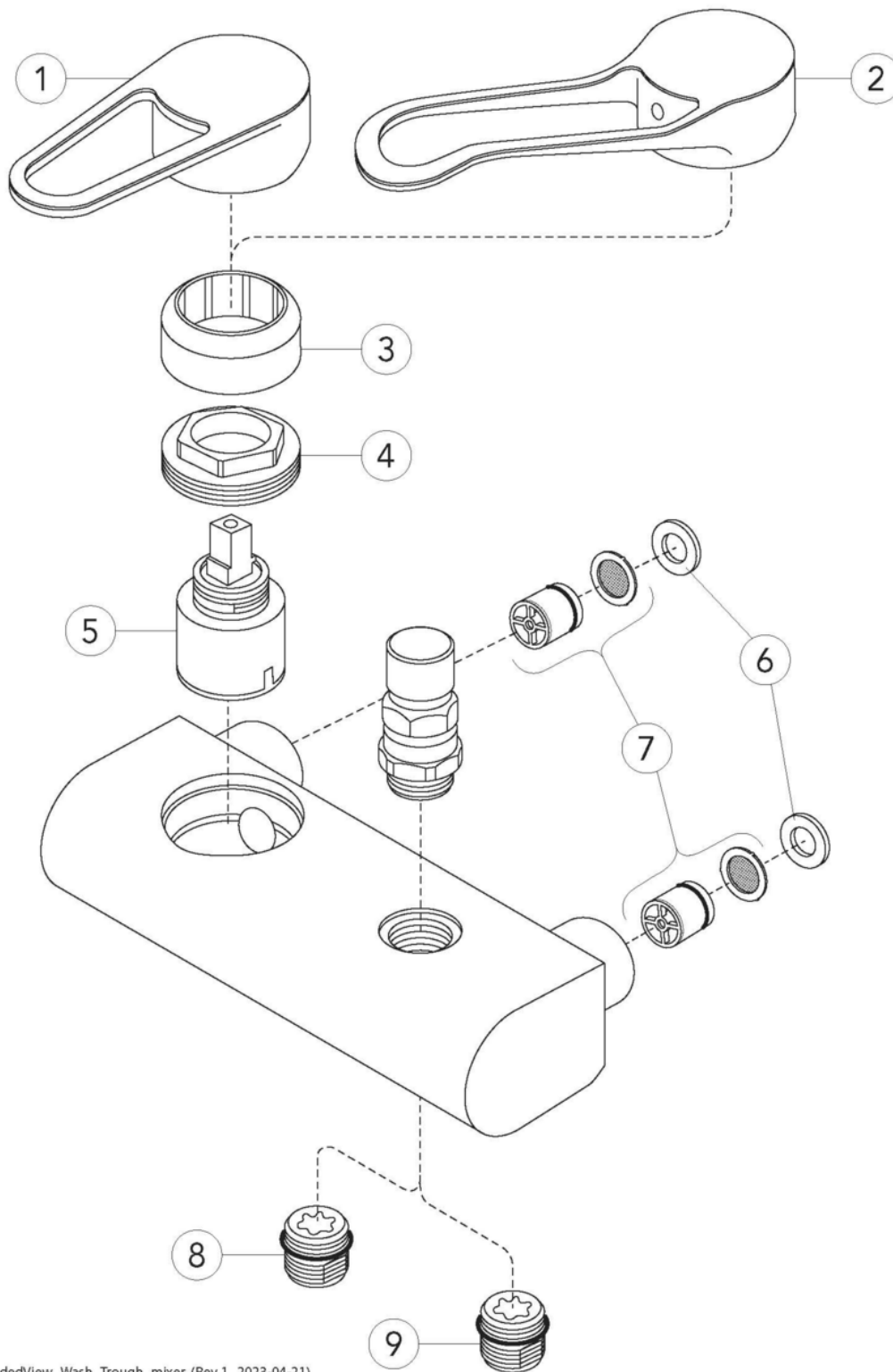


Technical information

- Max. tap capacity (at 300 kPa): 0,37 l/s
- Pressure loss with flow (0,1l/s) 22 kPa



Spare parts



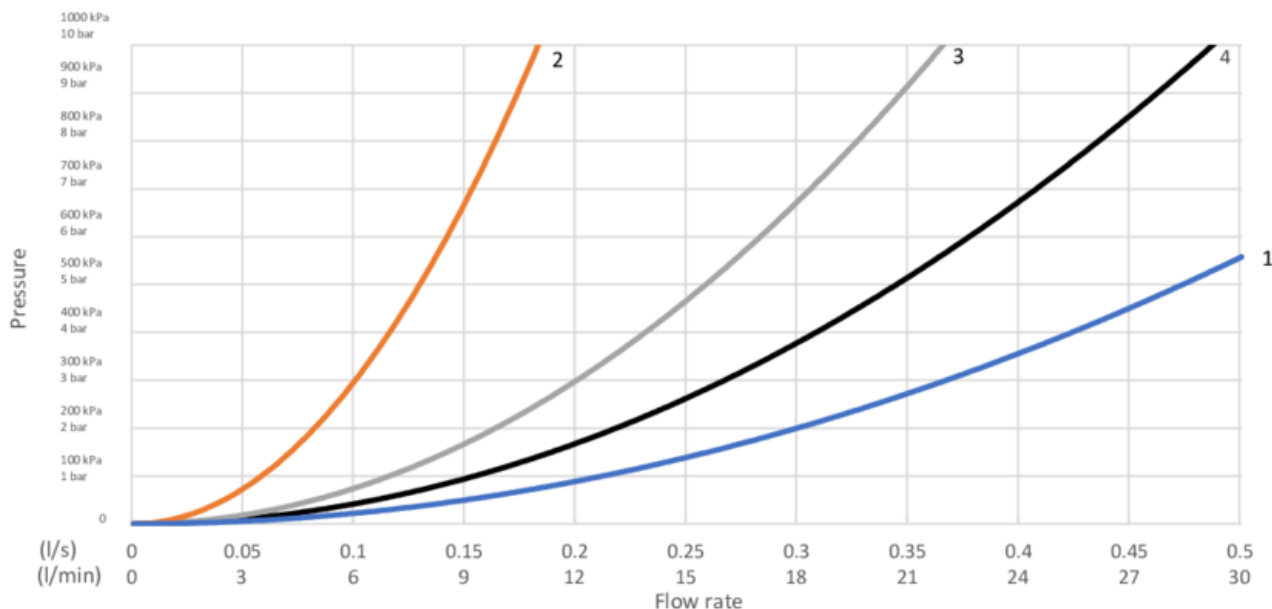
ExplodedView_Wash_Trough_mixer (Rev 1. 2023-04-21)

No.	Product	Art-no.
1	Lever, New Nautic 2021-->	GB41639803 01
2	Single lever Care	GB41639801 01
3	Cover cap	GB41639523 01
4	Nut - ceramic cartridge	GB41639522 01
5	Ceramic package	GB41637393
6	Packing	GB41635641
7	Check valve with filter	GB41632698 02
8	Connection nipple	GB41634757 01
9	Connection nipple	GB41638955 01

GUSTAVSBERG/

FLOW CHART/

Ettgrepp väggblandare Nya Nautic



- 1. Max flow
- 2. GB41212087, GB41202087,(with shower set GB41106250)
- 3. A-restrictor
- 4. B-restrictor

1. Max flow		2. GB41212087, GB41202087,(with shower set GB41106250)	
- Flow rate at 300 kPa:	0,367 l/s	- Flow rate at 300 kPa:	0,1 l/s
- Pressure at flow 0,1 l/s:	22 kPa	- Pressure at flow 0,1 l/s:	300 kPa
- Pressure at flow 0,2 l/s:	89 kPa	- Pressure at flow 0,2 l/s:	N/A
- Pressure at flow 0,33 l/s:	243 kPa	- Pressure at flow 0,33 l/s:	N/A

Rev, 1, 2023-05-22 Gustavsberg Labb

Villeroy & Boch Gustavsberg AB / Box 400, 134 29 Gustavsberg / Phone +46 (0)8-570 391 00 / www.gustavsberg.com / info@gustavsberg.com