



Quality of life since 1825

# Dušikomplekt New Nautic 2.1

Sh dušilift, 160 c-c

## Toote Omadused

ECO-STOP



SAFE TOUCH



- Grip-friendly lever with clear color marking for hot and cold
- Soft move, ceramic package with smooth and precise handling
- Eco-Stop, adjustable maximum flow limitation

## Article number

Art.nr.  
GB41202087

EAN  
7391530081809

## Paigaldus ja hooldus

Enne paigaldamist tuleb torude loputamiseks lasta veel joosta. Segisti on ühendatud paremalt külmaveetoruga ja vasakult kuumaveetoruga. Veedurve: max 1000 kPa, min 50 kPa. Kuuma vee temperatuur: max 80 °C, min 45 °C. Me ei vastuta valest paigaldusest tuleneva kahju eest.

## Energiamärgistus ja vastavustunnistused

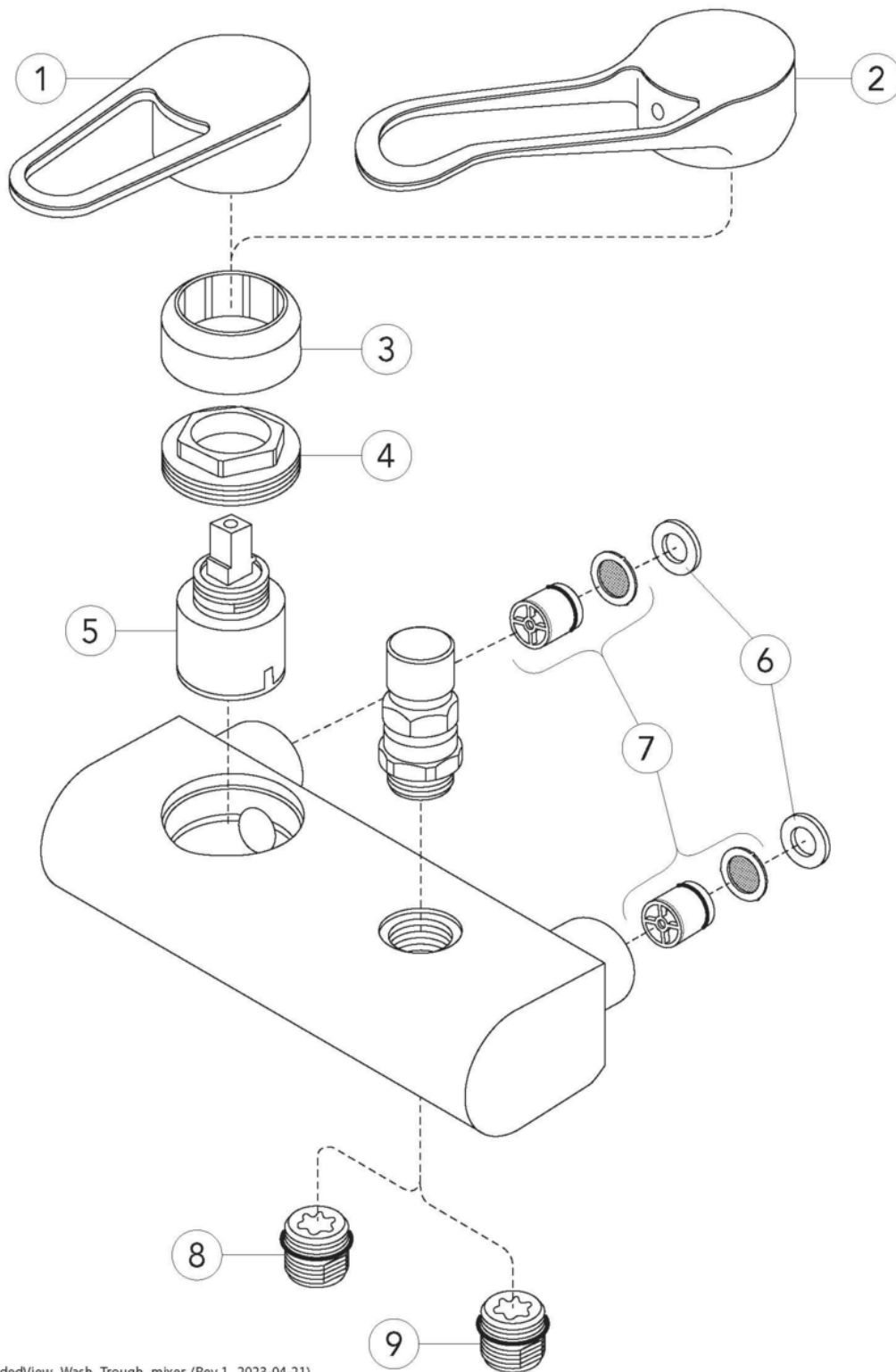


## Tehniline info

- 0,1
- Pressure loss with flow (0,1l/s) 300 kPa
- CO<sub>2</sub>e jalajälg: 15,7 kg



# Varuosad



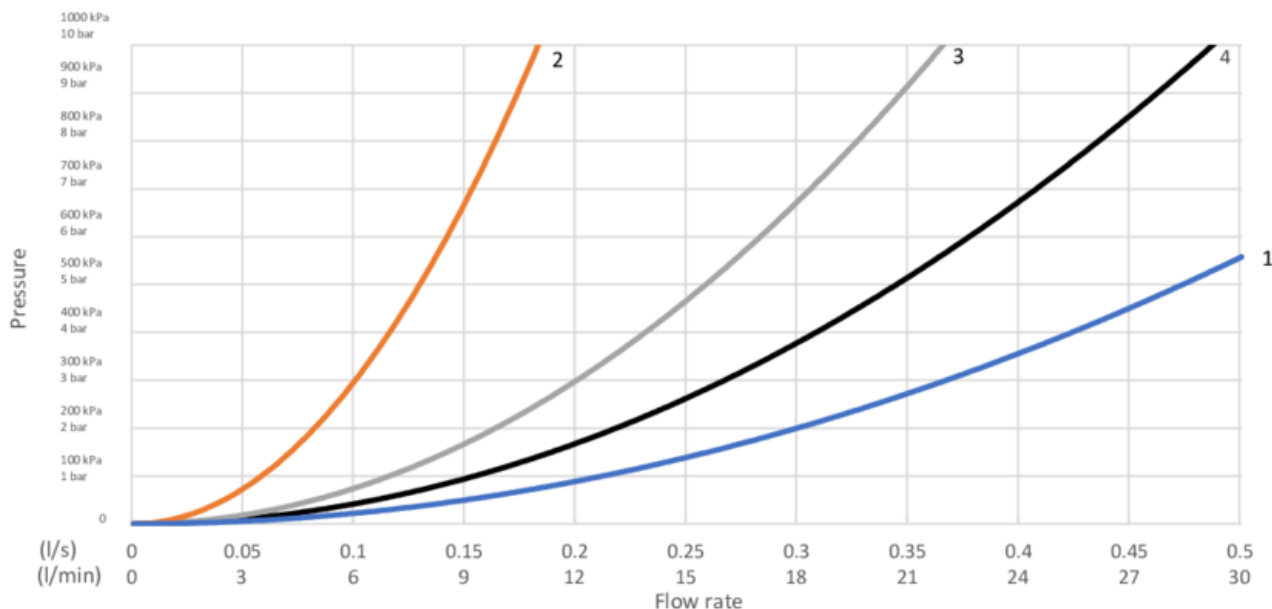
ExplodedView\_Wash\_Trough\_mixer (Rev 1. 2023-04-21)

Nr.	Toote	Art.nr.
1	Segisti kahv, New Nautic 2021-->	GB41639803 01
2	Kahv Nautic, Care	GB41639801 01
3		GB41639523 01
4		GB41639522 01
5	Keraamiline tööorgan	GB41637393
6		GB41635641
7		GB41632698 02
8		GB41634757 01
9		GB41638955 01

# GUSTAVSBERG/

## FLOW CHART/

### Ettgrepp väggblandare Nya Nautic



- 1. Max flow
- 2. GB41212087, GB41202087,(with shower set GB41106250 )
- 3. A-restrictor
- 4. B-restrictor

1. Max flow		2. GB41212087, GB41202087,(with shower set GB41106250 )	
- Flow rate at 300 kPa:	0,367 l/s	- Flow rate at 300 kPa:	0,1 l/s
- Pressure at flow 0,1 l/s:	22 kPa	- Pressure at flow 0,1 l/s:	300 kPa
- Pressure at flow 0,2 l/s:	89 kPa	- Pressure at flow 0,2 l/s:	N/A
- Pressure at flow 0,33 l/s:	243 kPa	- Pressure at flow 0,33 l/s:	N/A

Rev, 1, 2023-05-22 Gustavsberg Labb

Villeroy & Boch Gustavsberg AB / Box 400, 134 29 Gustavsberg / Phone +46 (0)8-570 391 00 / [www.gustavsberg.com](http://www.gustavsberg.com) / [info@gustavsberg.com](mailto:info@gustavsberg.com)