



Quality of life since 1825

# Wall mixer New Nautic – Single lever

Connection downwards, 40/160 c-c bracket

## Product features

---

- Grip-friendly lever with clear color marking for hot and cold water
- With vacuum valve and check valves in the inlets
- Eco-stop, adjustable maximum flow limitation

## Article numbers

---

|            |               |
|------------|---------------|
| Art-no.    | EAN           |
| GB41202114 | 7391530081793 |

## Packaging information

---

Length: 365 mm | Width: 105 mm | Height: 70 mm

Weight: 2.01 kg

Weight: 1 pc

## Assembling & Care

---

Prior to installation the lines must be flushed up to the faucet. The faucet is connected with the cold water line on the right and the hot water line on the left. Water pressure: max 1000 kPa, min 50kPa. Hot water temperature: max 80°C, min 45°C. Please note that we are not liable for damage resulting from improper installation.

## Energy labeling and certifications

---

## Technical information

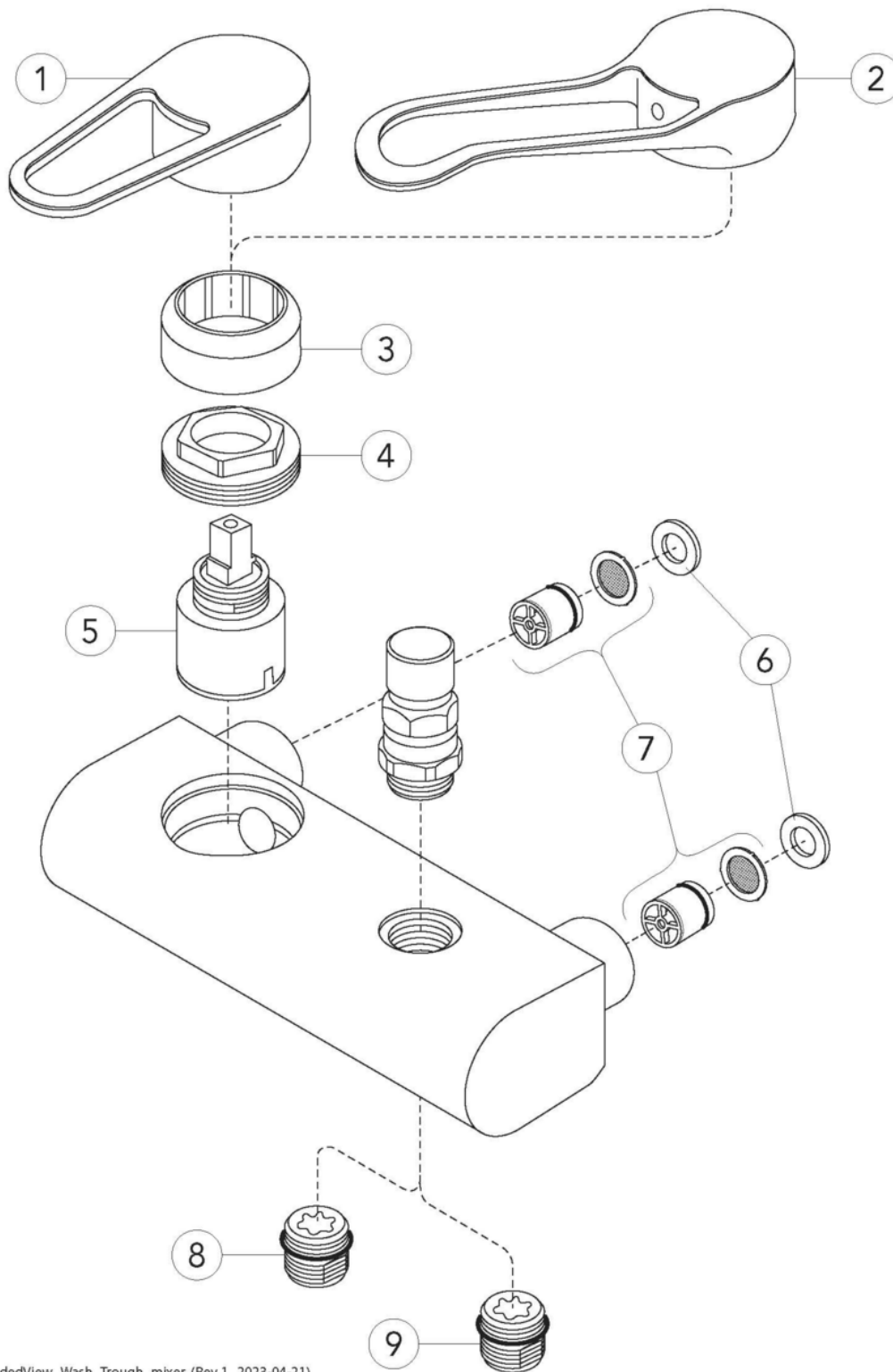
---

- Max. tap capacity (at 300 kPa): 0,37 l/s
- Pressure loss with flow (0,1l/s) 22 kPa



# Spare parts

---



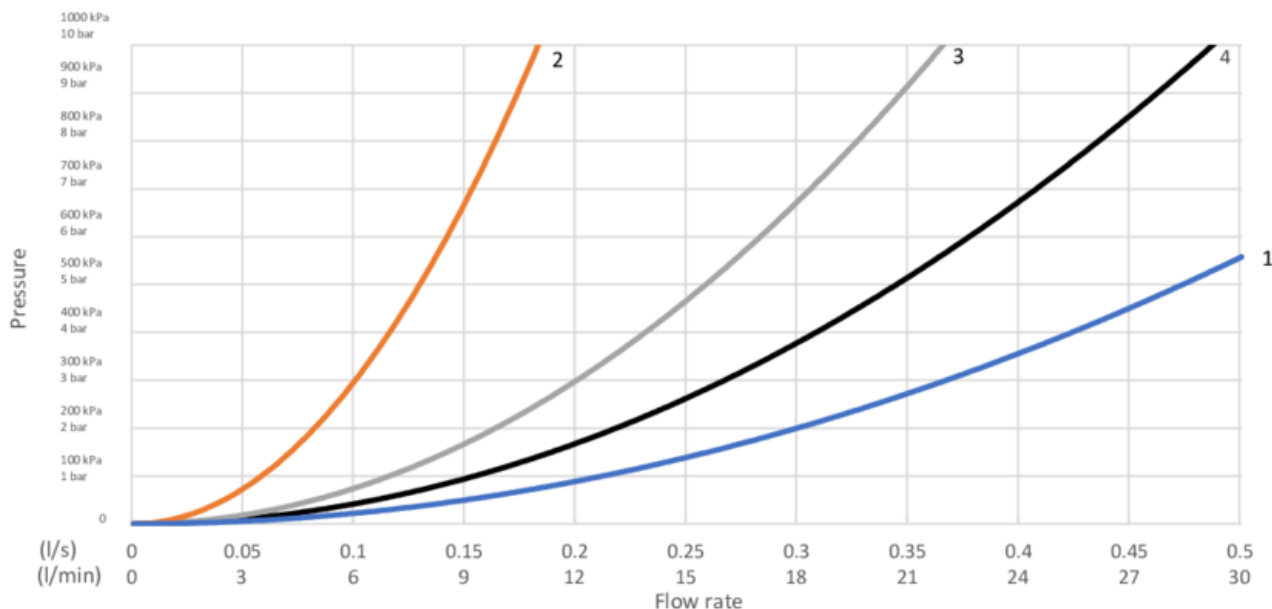
ExplodedView\_Wash\_Trough\_mixer (Rev 1. 2023-04-21)

| No. | Product                   | Art-no.       |
|-----|---------------------------|---------------|
| 1   | Lever, New Nautic 2021--> | GB41639803 01 |
| 2   | Single lever Care         | GB41639801 01 |
| 3   | Cover cap                 | GB41639523 01 |
| 4   | Nut - ceramic cartridge   | GB41639522 01 |
| 5   | Ceramic package           | GB41637393    |
| 6   | Packing                   | GB41635641    |
| 7   | Check valve with filter   | GB41632698 02 |
| 8   | Connection nipple         | GB41634757 01 |
| 9   | Connection nipple         | GB41638955 01 |

# GUSTAVSBERG/

## FLOW CHART/

### Ettgrepp väggblandare Nya Nautic



- 1. Max flow
- 2. GB41212087, GB41202087,(with shower set GB41106250 )
- 3. A-restrictor
- 4. B-restrictor

| 1. Max flow                  |           | 2. GB41212087, GB41202087,(with shower set GB41106250 ) |         |
|------------------------------|-----------|---|---------|
| - Flow rate at 300 kPa:      | 0,367 l/s | - Flow rate at 300 kPa:                                 | 0,1 l/s |
| - Pressure at flow 0,1 l/s:  | 22 kPa    | - Pressure at flow 0,1 l/s:                             | 300 kPa |
| - Pressure at flow 0,2 l/s:  | 89 kPa    | - Pressure at flow 0,2 l/s:                             | N/A     |
| - Pressure at flow 0,33 l/s: | 243 kPa   | - Pressure at flow 0,33 l/s:                            | N/A     |

Rev, 1, 2023-05-22 Gustavsberg Labb

Villeroy & Boch Gustavsberg AB / Box 400, 134 29 Gustavsberg / Phone +46 (0)8-570 391 00 / [www.gustavsberg.com](http://www.gustavsberg.com) / [info@gustavsberg.com](mailto:info@gustavsberg.com)