



Quality of life since 1825

# Wash trough mixer New Nautic

ECO Flow max 3 l/m, lead-free

## Product features



- Contains less than 0.1% lead
- ECO Flow adapted flow
- Cold-start, only cold water when the lever is in straight forward position

## Article numbers

Art-no.  
GB412162510B

EAN  
7391530081847

## Packaging information

Length: 225 mm | Width: 205 mm | Height: 70 mm

Weight: 1.37 kg

Weight: 1 pc

## Assembling & Care

Prior to installation the lines must be flushed up to the faucet. The faucet is connected with the cold water line on the right and the hot water line on the left. Water pressure: max 1000 kPa, min 50kPa. Hot water temperature: max 70°C, min 45°C. Please note that we are not liable for damage resulting from improper installation.

## Energy labeling and certifications



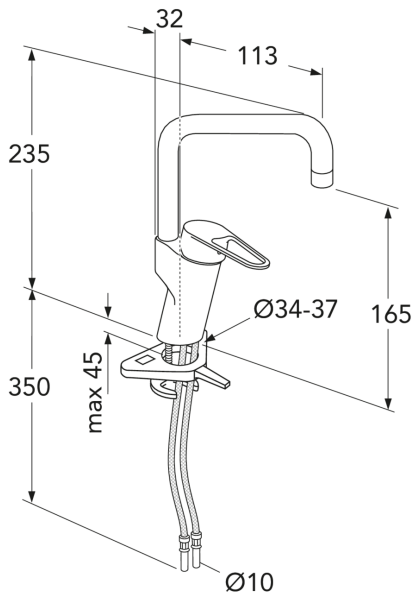
Den här produkten är anpassad till  
Branschregler Säker Vatteninstallation  
2022:1. Leverantören garanterar  
produktens funktion om branschreglerna  
och monteringsanvisningarna följs.



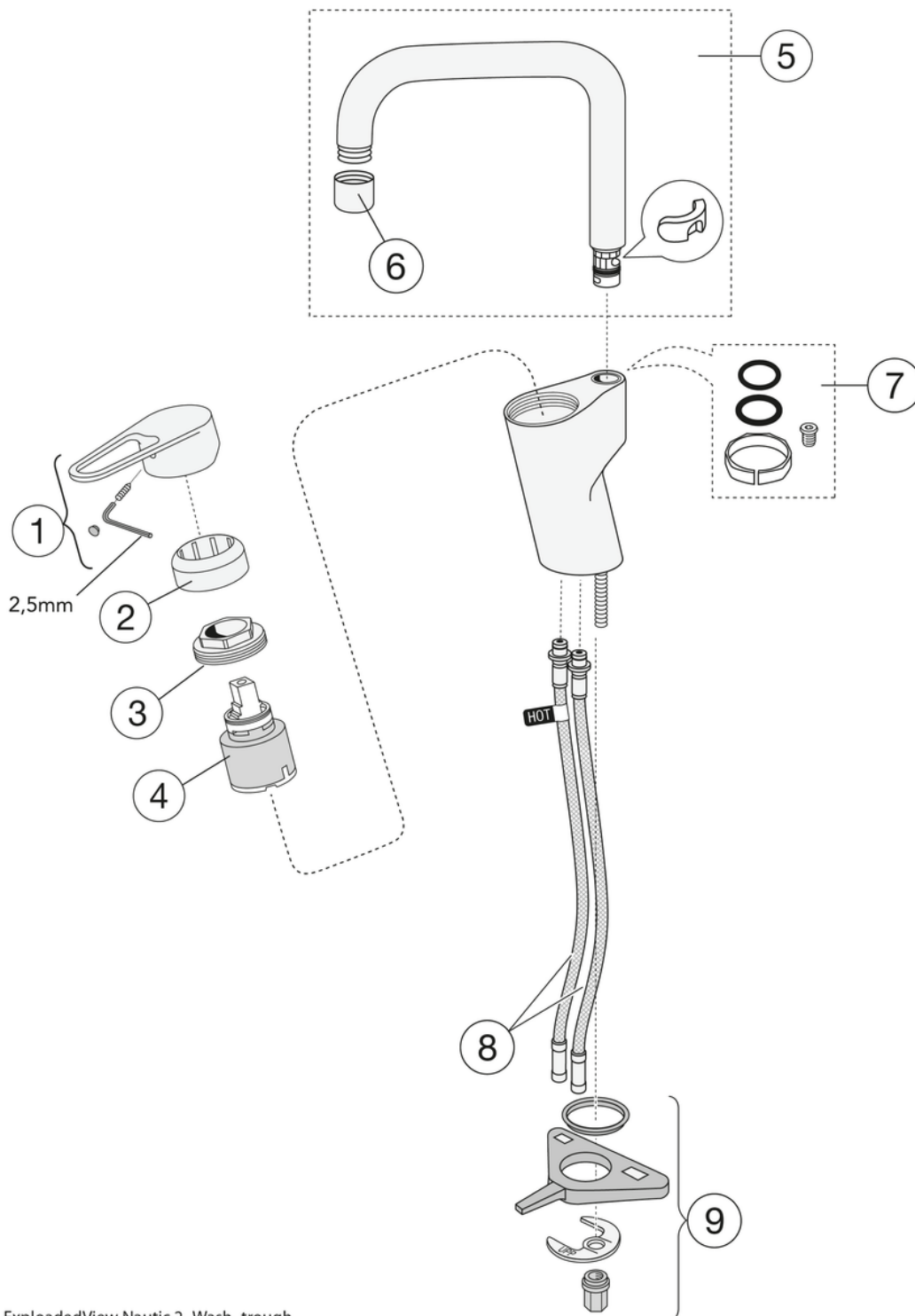
1.1 & 1.2  
CONFORMITY

## Technical information

- Max. tap capacity (at 300 kPa): 0,05 l/s
- Standard connection dimension: 10mm



# Spare parts



ExplodedView Nautic 2\_Wash\_trough  
(Rev 1. 2021-01-19)

No.	Product	Art-no.
1	Lever, New Nautic 2021-->	GB41639803 01
2	Cover	GB41639523 01
3	Nut - ceramic package	GB41639522 01
4	Ceramic package	GB41637393
5	Spout wash trough mixer, Atlantic	GB41639742 01
6	Aerator	GB41630129 01
7	O-ring set	GB41637010 01
8	SoftPex hose	GB41638721 02
9	Mounting kit New Nautic	GB41639937 01

# GUSTAVSBERG/

## FLOW CHART/

### Leed & Breeam



- 1. GB412160470LB /GB41216047064LB
- 2. GB41216047B /GB412160470B /GB412160450B /GB41216147064B /GB412161470B /GB412162510B
- 3. GB41206096B /GB412060560B /GB412060960B
- 4. GB41202372B

1. GB412160470LB /GB41216047064LB	
- Flowrate at 300 kPa:	0,032 l/s
- Pressure at flow 0,1 l/s:	N/A
- Pressure at flow 0,2 l/s:	N/A
- Pressure at flow 0,33 l/s:	N/A

Rev, 1, 2023-08-18 Gustavsberg Labb

Villeroy & Boch Gustavsberg AB / Box 400, 134 29 Gustavsberg / Phone +46 (0)8-570 391 00 / [www.gustavsberg.com](http://www.gustavsberg.com) / [info@gustavsberg.com](mailto:info@gustavsberg.com)