



Livskvalitet sedan 1825

Duschset 2.1

Blyfri, krom, 10 pack

Produktegenskaper

BLYFRITT



- 3-funktions handdusch
- Smart hylla med praktiska krokar
- Fästes med skruv eller lim

Artikelnummer

RSK-nr.	Art-nr.	EAN
8320013	GB4110625010	7391530082127

Förpackningsinformation

Längd: 835 mm | Bredd: 255 mm | Höjd: 250 mm

Vikt: 11.4 kg

Antal i förpackning: 10 st

Montering & Skötsel

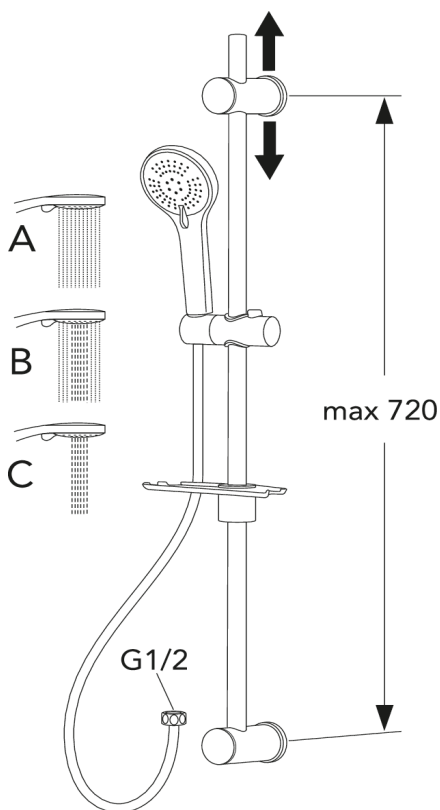
Före installation måste ledningarna vara renspolade fram till blandaren. Blandaren ansluts med kallvattenledningen till höger och varmvattenledningen till vänster. Vattentryck: max 1000 kPa, min 50 kPa. Varmvattentemperatur max: 80°C, min 45°C. Vi ansvarar ej för fel som uppstått på grund av felaktig montering.

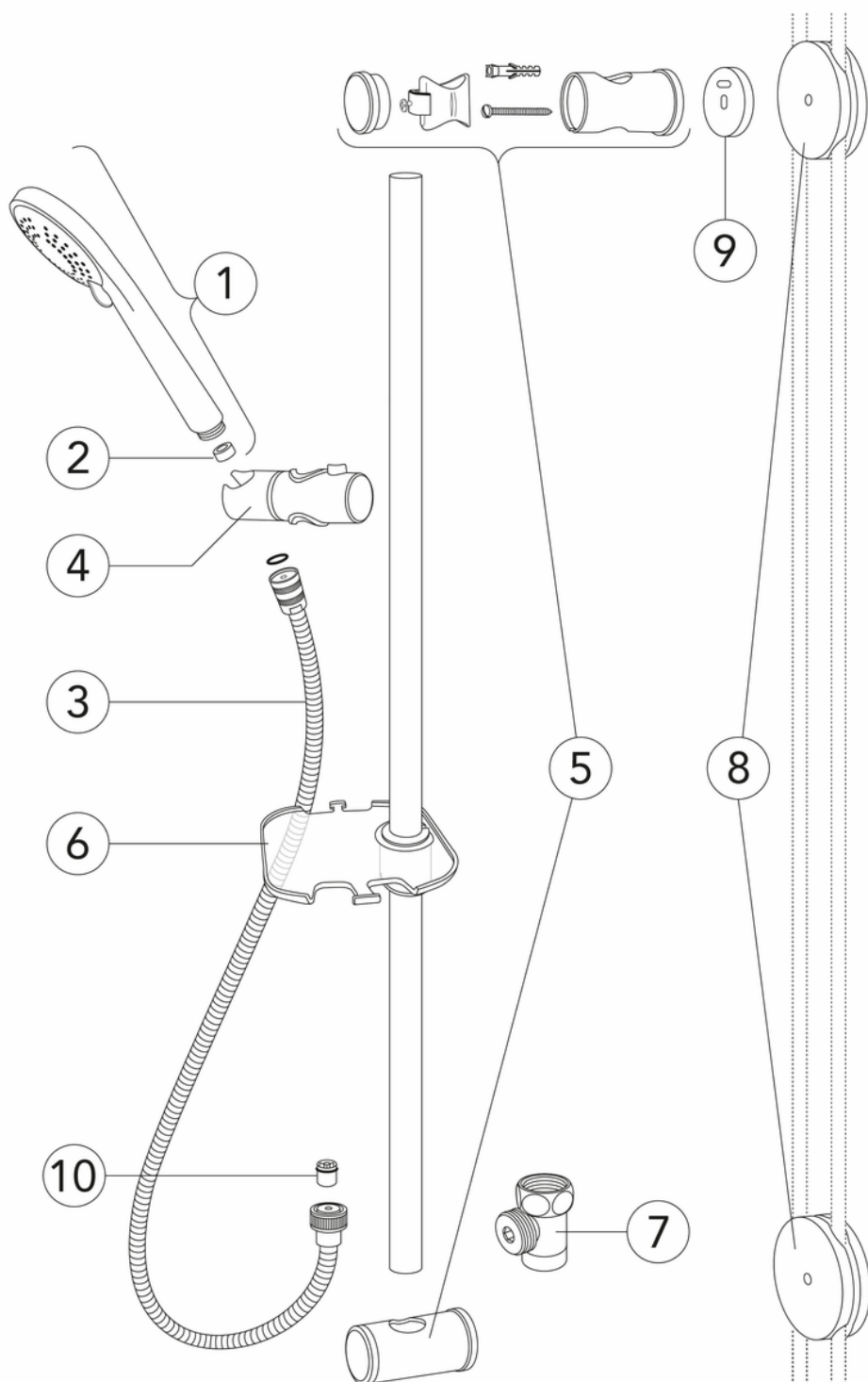
Energimärkning och certifieringar



Teknisk information

- Max. tap capacity (at 300 kPa): 0,1 l/s





ExplodedView GB41106250_Shower_set_2.1 (Rev 1. 2023-04-05)

Nr.	Produkt	RSK-nr.	Art-nr.
1	Handdusch 2.1/2.2	8233024	GB4165036401
2	Flödesreglerare	8381000	GB4165036501
3	Duschslang Original	8218221	GB41636266 00
4	Glider 25 mm	8218321	GB41638726 01
5	Väggfäste/infästningsdetaljer	8218322	GB41638727 02
6	Tvålkopp 25 mm	8218323	GB41638728 01
7	Dräneringsventil Care	8218333	GB41638960 01
8	Fäste för duschset	8218320	GB41637850 02
9	Väggdistans för duschset	8239537	GB4165037201
10	Backventil dw 14	4315582	GB41634719 01

GUSTAVSBERG/

FLOW CHART/ Thermostatic Mixers



- 1. Max flow (bath- and shower outlet)
- 2. Bathtub outlet: Spouts GB41650247, GB41650320
- 3. Shower set GB41106250
- 4. Spout GB41650279 (85 mm)

<p>1. Max flow (bath- and shower outlet)</p> <table border="1" style="width: 100%; border-collapse: collapse;"> <tr> <td style="width: 30%;">- Flow rate at 300 kPa:</td> <td>0,425 l/s</td> </tr> <tr> <td>- Pressure at flow 0,1 l/s:</td> <td>17 kPa</td> </tr> <tr> <td>- Pressure at flow 0,2 l/s:</td> <td>66 kPa</td> </tr> <tr> <td>- Pressure at flow 0,33 l/s:</td> <td>181 kPa</td> </tr> </table>	- Flow rate at 300 kPa:	0,425 l/s	- Pressure at flow 0,1 l/s:	17 kPa	- Pressure at flow 0,2 l/s:	66 kPa	- Pressure at flow 0,33 l/s:	181 kPa	<p>2. Bathtub outlet: Spouts GB41650247, GB41650320</p> <table border="1" style="width: 100%; border-collapse: collapse;"> <tr> <td style="width: 30%;">- Flow rate at 300 kPa:</td> <td>0,322 l/s</td> </tr> <tr> <td>- Pressure at flow 0,1 l/s:</td> <td>29 kPa</td> </tr> <tr> <td>- Pressure at flow 0,2 l/s:</td> <td>116 kPa</td> </tr> <tr> <td>- Pressure at flow 0,33 l/s:</td> <td>316 kPa</td> </tr> </table>	- Flow rate at 300 kPa:	0,322 l/s	- Pressure at flow 0,1 l/s:	29 kPa	- Pressure at flow 0,2 l/s:	116 kPa	- Pressure at flow 0,33 l/s:	316 kPa
- Flow rate at 300 kPa:	0,425 l/s																
- Pressure at flow 0,1 l/s:	17 kPa																
- Pressure at flow 0,2 l/s:	66 kPa																
- Pressure at flow 0,33 l/s:	181 kPa																
- Flow rate at 300 kPa:	0,322 l/s																
- Pressure at flow 0,1 l/s:	29 kPa																
- Pressure at flow 0,2 l/s:	116 kPa																
- Pressure at flow 0,33 l/s:	316 kPa																
<p>3. Shower set GB41106250</p> <table border="1" style="width: 100%; border-collapse: collapse;"> <tr> <td style="width: 30%;">- Flow rate at 300 kPa:</td> <td>0,1 l/s</td> </tr> <tr> <td>- Pressure at flow 0,1 l/s:</td> <td>300 kPa</td> </tr> <tr> <td>- Pressure at flow 0,2 l/s:</td> <td>N/A</td> </tr> <tr> <td>- Pressure at flow 0,33 l/s:</td> <td>N/A</td> </tr> </table>	- Flow rate at 300 kPa:	0,1 l/s	- Pressure at flow 0,1 l/s:	300 kPa	- Pressure at flow 0,2 l/s:	N/A	- Pressure at flow 0,33 l/s:	N/A	<p>4. Spout GB41650279 (85 mm)</p> <table border="1" style="width: 100%; border-collapse: collapse;"> <tr> <td style="width: 30%;">- Flow rate at 300 kPa:</td> <td>0,265 l/s</td> </tr> <tr> <td>- Pressure at flow 0,1 l/s:</td> <td>43 kPa</td> </tr> <tr> <td>- Pressure at flow 0,2 l/s:</td> <td>171 kPa</td> </tr> <tr> <td>- Pressure at flow 0,33 l/s:</td> <td>465 kPa</td> </tr> </table>	- Flow rate at 300 kPa:	0,265 l/s	- Pressure at flow 0,1 l/s:	43 kPa	- Pressure at flow 0,2 l/s:	171 kPa	- Pressure at flow 0,33 l/s:	465 kPa
- Flow rate at 300 kPa:	0,1 l/s																
- Pressure at flow 0,1 l/s:	300 kPa																
- Pressure at flow 0,2 l/s:	N/A																
- Pressure at flow 0,33 l/s:	N/A																
- Flow rate at 300 kPa:	0,265 l/s																
- Pressure at flow 0,1 l/s:	43 kPa																
- Pressure at flow 0,2 l/s:	171 kPa																
- Pressure at flow 0,33 l/s:	465 kPa																

Rev, 1, 2022-12-28 Gustavsberg Labb

Villeroy & Boch Gustavsberg AB / Box 400, 134 29 Gustavsberg / Phone +46 (0)8-570 391 00 / www.gustavsberg.com / info@gustavsberg.com