



Quality of life since 1825

Washbasin mixer Sensoric 1.0

Matt black, lead-free, sensor mixer, distance ring - 160 mm

Product features

- Sensor that saves water and energy
- Contains less than 0.1% lead
- Adjustable comfort temperature

Article numbers

Art-no.
GB4121828153

EAN
7391530083919



Packaging information

Length: 365 mm | Width: 105 mm | Height: 70 mm
Weight: 2.01 kg
Weight: 1 pc

Assembling & Care

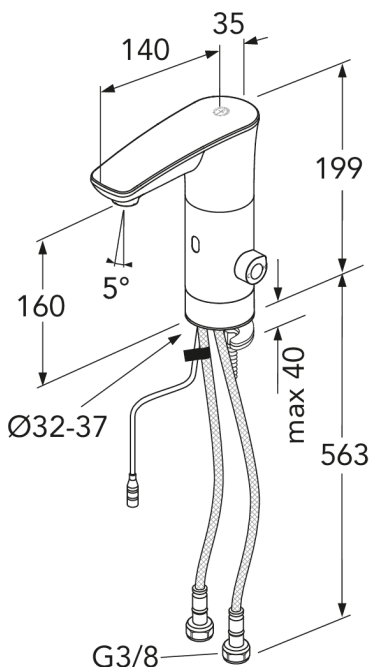
Prior to installation the lines must be flushed up to the faucet. The faucet is connected with the cold water line on the right and the hot water line on the left. Water pressure: max 1000 kPa, min 50kPa. Hot water temperature: max 70°C, min 45°C. Please note that we are not liable for damage resulting from improper installation.

Energy labeling and certifications

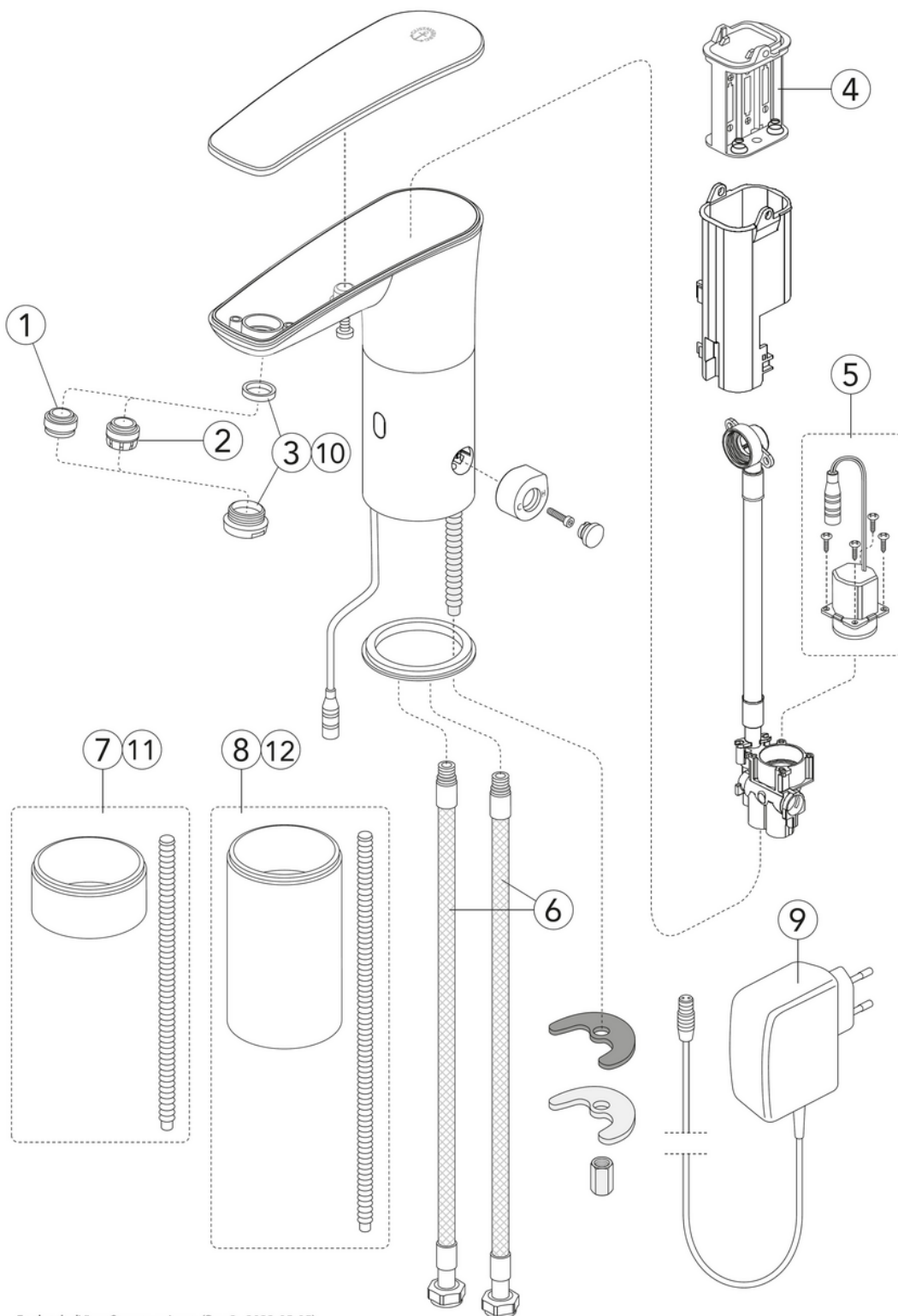


Technical information

- Max. tap capacity (at 300 kPa): 0,032 l/s



Spare parts



ExplodedView Sensor_mixers (Rev 2. 2023-05-05)

No.	Product	Art-no.
1	Aerator 0,5 gpm	GB4165033901
2	Aerator 1,2 gpm	GB4165033801
3	Aerator ring	GB4165033701
4	Battery house Sensoric.1.0	GB4165033501
5	Solenoid valve Sensoric 1.0	GB4165033601
6	Hose with check valve Sensoric 1.0	GB4165033302
7	Distance ring Sensoric 1.0	GB4165034101
8	Distance ring Sensoric 1.0	GB4165034201
9	Transformer 9V, 3m	GB4165034001
10	Aerator ring, Matte black	GB416503370153
11	Distance ring Sensoric 1.0	GB416503410153
12	Distance ring Sensoric 1.0	GB416503420153
13	Sensoric cord 3m	GB4165060101
14	Sensoric cord 1m	GB4165060001
16	Sensoric Adapter	GB4165059801