



Quality of life since 1825

Shower mixer Atlantic 2.1 - Singel lever

Shower pack incl. shower set, 160 c-c

Product features

- Grip-friendly lever with clear color marking for hot and cold water
- Soft move, ceramic package with smooth and precise operation
- Eco-stop, adjustable maximum flow limitation

Article numbers

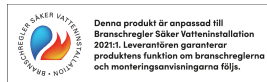
Art-no.
GB41201387

EAN
7391530085043

Assembling & Care

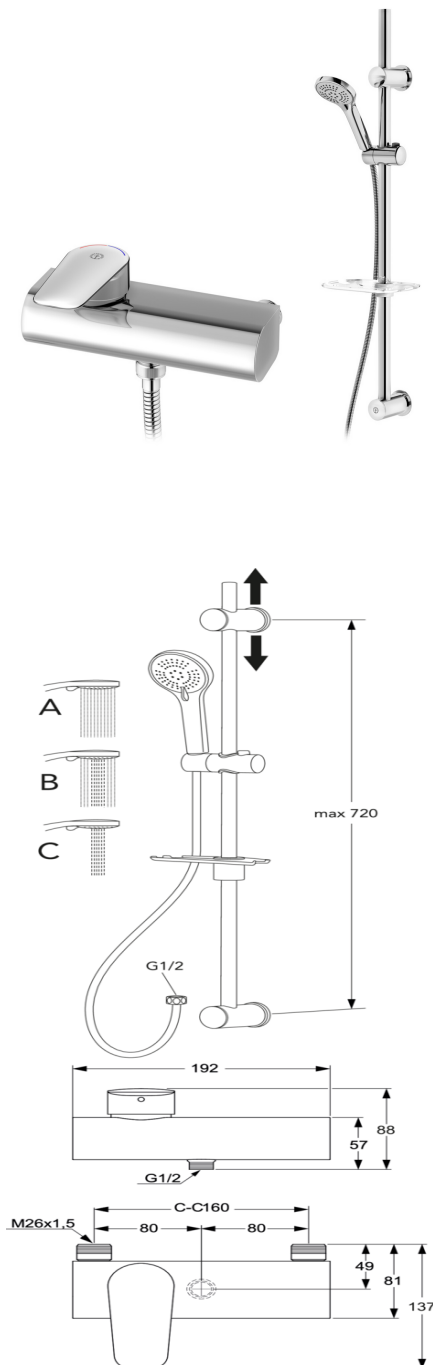
Prior to installation the lines must be flushed up to the faucet. The faucet is connected with the cold water line on the right and the hot water line on the left. Water pressure: max 1000 kPa, min 50kPa. Hot water temperature: max 80°C, min 45°C. Please note that we are not liable for damage resulting from improper installation.

Energy labeling and certifications



Technical information

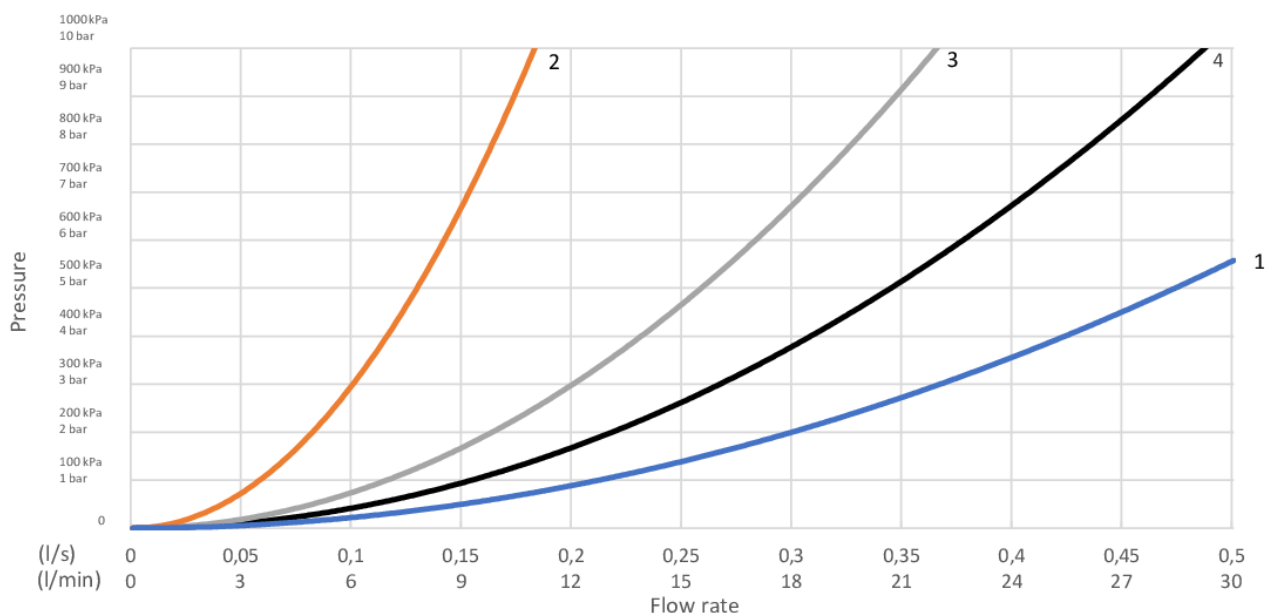
- Max. tap capacity (at 300 kPa): 0,1l/s
- Pressure loss with flow (0,1l/s) 300 kPa
- CO2 Footprint: 15.7 kg
- Standard connection dimension: 160 c-c



GUSTAVSBERG/

FLOW CHART/

Ettgrepp väggblandare Atlantic



- 1. Max flow
- 2. GB41201387 and GB41211387 (with GB41106250)
- 3. A-restrictor
- 4. B-restrictor

1. Max flow		2. GB41201387 and GB41211387 (with GB41106250)	
- Flow rate at 300 kPa:	0,367 l/s	- Flow rate at 300 kPa:	0,1 l/s
- Pressure at flow 0,1 l/s:	22 kPa	- Pressure at flow 0,1 l/s:	300 kPa
- Pressure at flow 0,2 l/s:	89 kPa	- Pressure at flow 0,2 l/s:	N/A
- Pressure at flow 0,33 l/s:	243 kPa	- Pressure at flow 0,33 l/s:	N/A

Rev, 1, 2023-05-22 Gustavsberg Labb

Villeroy & Boch Gustavsberg AB / Box 400, 134 29 Gustavsberg / Phone +46 (0)8-570 391 00 / www.gustavsberg.com / info@gustavsberg.com