



Quality of life since 1825

# Kitchen mixer New Nautic Care - low Spout

Lead free, energy class A, elongated lever

## Product features



- Contains less than 0.1% lead
- Energy Class A
- Equipped with elongated lever

## Article numbers

Art-no.	EAN
GB41206055064L	7391530085340

## Packaging information

Length: 290 mm | Width: 290 mm | Height: 75 mm  
Weight: 2.48 kg  
Weight: 1 pc

## Assembling & Care

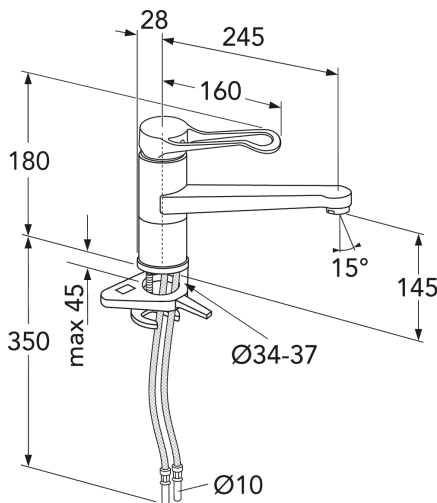
Prior to installation the lines must be flushed up to the faucet. The faucet is connected with the cold water line on the right and the hot water line on the left. Water pressure: max 1000 kPa, min 50kPa. Hot water temperature: max 70°C, min 45°C. Please note that we are not liable for damage resulting from improper installation.

## Energy labeling and certifications



## Technical information

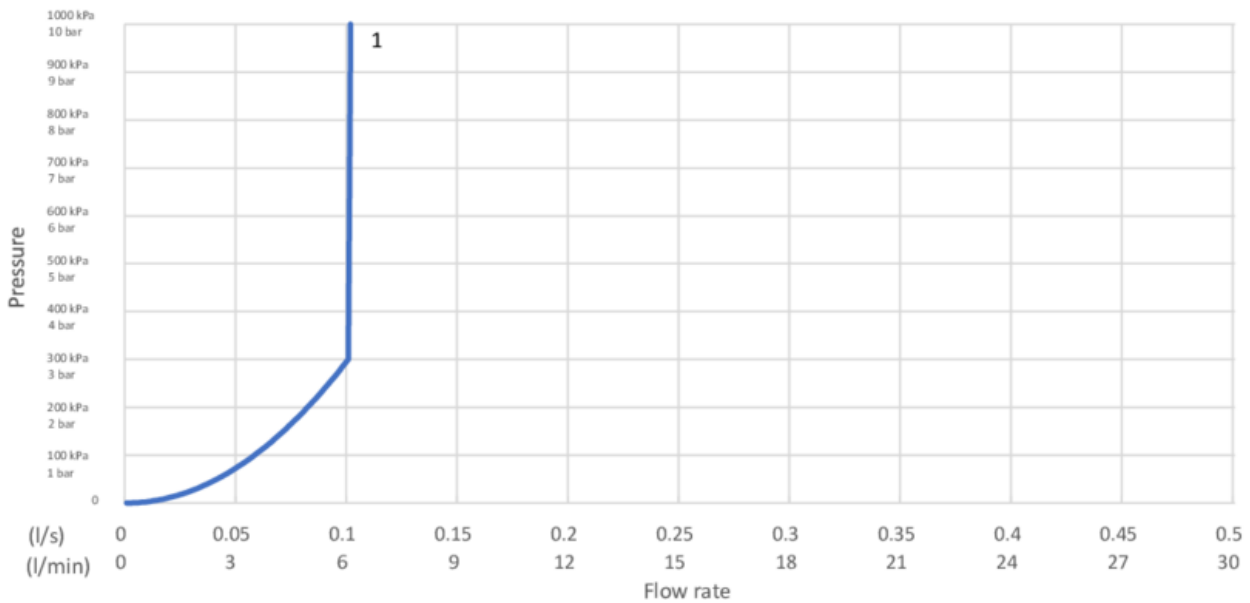
- Max. tap capacity (at 300 kPa): 0,1l/s
- Pressure loss with flow (0,1l/s) 300 kPa
- Standard connection dimension: 10mm



# GUSTAVSBERG/

## FLOW CHART/

Kök 6 l/min



- GB412060550L
- GB41206055064L
- GB412060560L
- GB41206056064L
- GB41206056RL
- GB412060950L
- GB41206095064L
- GB412060960L
- GB41206096064L
- GB412060966L

- Flowrate at 300 kPa:	0,1 l/s
- Pressure at flow 0,1 l/s:	300 kPa
- Pressure at flow 0,2 l/s:	N/A
- Pressure at flow 0,33 l/s:	N/A

Rev, 1, 2023-10-25 Gustavsberg Labb

Villeroy & Boch Gustavsberg AB / Box 400, 134 29 Gustavsberg / Phone +46 (0)8-570 391 00 / [www.gustavsberg.com](http://www.gustavsberg.com) / [info@gustavsberg.com](mailto:info@gustavsberg.com)