



Quality of life since 1825

Kitchen mixer New Nautic – low Spout

Lead free, energy class A

Product features

ECO-FLOW



COLD-START



ECO-STOP



QUICK FIT



LEAD-FREE



- Contains less than 0.1% lead
- Energy class A
- Cold-start, only cold water when the lever is in straight forward position

Article numbers

Art-no.
GB412060550L

EAN
7391530085333

Packaging information

Length: 290 mm | Width: 290 mm | Height: 75 mm

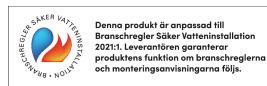
Weight: 2.48 kg

Weight: 1 pc

Assembling & Care

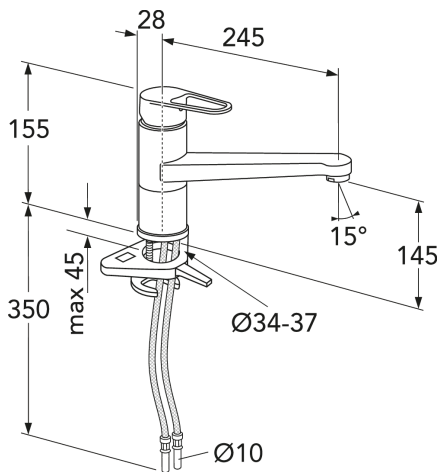
Prior to installation the lines must be flushed up to the faucet. The faucet is connected with the cold water line on the right and the hot water line on the left. Water pressure: max 1000 kPa, min 50kPa. Hot water temperature: max 70°C, min 45°C. Please note that we are not liable for damage resulting from improper installation.

Energy labeling and certifications

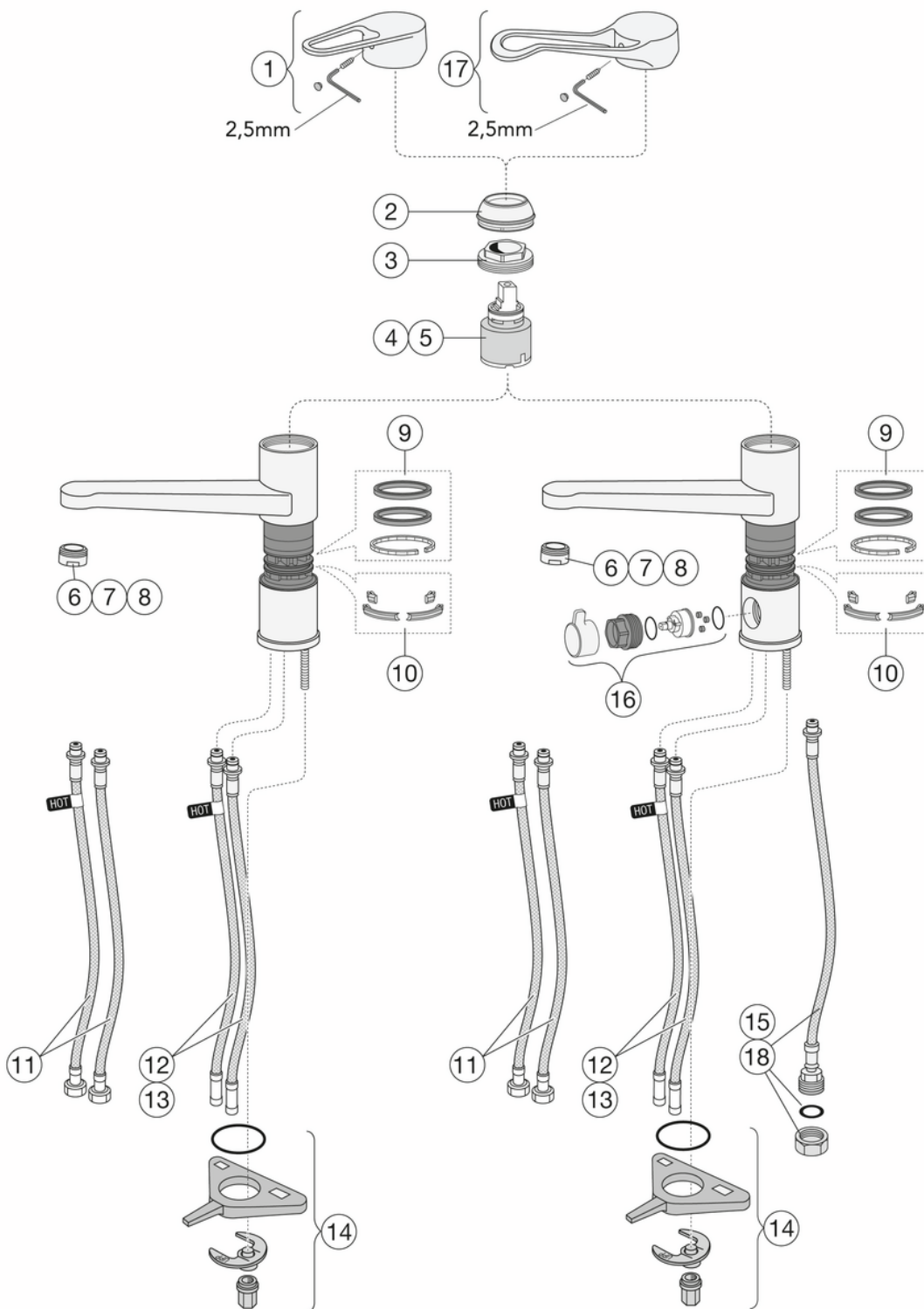


Technical information

- Max. tap capacity (at 300 kPa): 0,1l/s
- Pressure loss with flow (0,1l/s) 300 kPa
- Standard connection dimension: 10mm



Spare parts



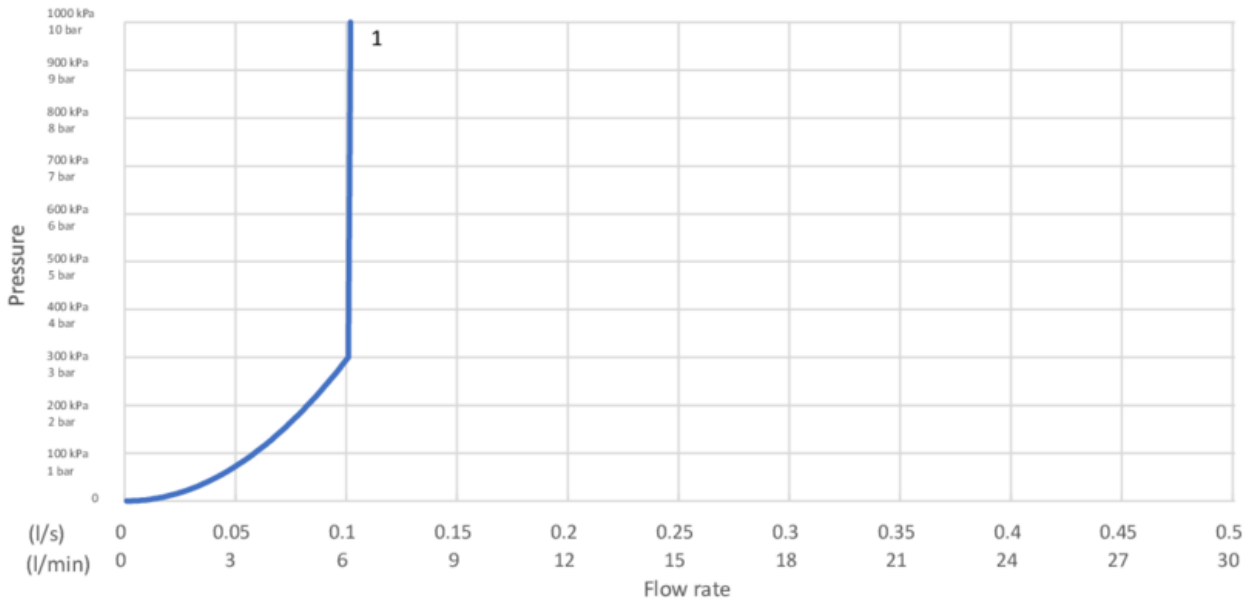
ExplodedView Nautic 2_kitchen_Low_swirling
(Rev 2. 2022-04-11)

No.	Product	Art-no.
1	Mounting kit	GB41650252 01
2	Cover sleeve	GB41650253 01
3	Nut - Platform 3	GB41639591 01
4	Ceramic package	GB41637393
5	Ceramic Cartridge	GB41639567 01
6	Aerator M24x1, PCA 7, laminar	GB41639200 01
7	Aerator M24x1 standard Z	GB41639757 01
8	Aerator M24x1 PCA 7	GB41639972 01
9	X-ring, bearing ring kit	GB41639970 01
10	Swiveling limiter kit	GB41639589 01
11	SoftPex hose	GB41639279 02
12	SoftPex hose	GB41638721 02
13	SPX-hose 440 mm - PE, smooth tube, pl.3	GB4165030601
14	Mounting kit kitchen	GB41639939 01
15	SoftPex hose	GB41638701 01
16	Dishwasher shutoff	GB41639547 01
17	Single lever Care	GB41639801 01
18	SPX-hose-460 mm PE-coated, G1/2	GB4165011801

GUSTAVSBERG/

FLOW CHART/

Kök 6 l/min



- GB412060550L
- GB41206055064L
- GB412060560L
- GB41206056064L
- GB41206056RL
- GB412060950L
- GB41206095064L
- GB412060960L
- GB41206096064L
- GB412060966L

- Flowrate at 300 kPa:	0,1 l/s
- Pressure at flow 0,1 l/s:	300 kPa
- Pressure at flow 0,2 l/s:	N/A
- Pressure at flow 0,33 l/s:	N/A

Rev, 1, 2023-10-25 Gustavsberg Labb

Villeroy & Boch Gustavsberg AB / Box 400, 134 29 Gustavsberg / Phone +46 (0)8-570 391 00 / www.gustavsberg.com / info@gustavsberg.com