



Quality of life since 1825

Kitchen mixer New Nautic – high Spout

Energy class A, mounted counter dishwasher con

Product features

ECO-FLOW



COLD-START



ECO-STOP



QUICK FIT



- Energy Class A
- Cold-start, only cold water when the lever is in straight forward position
- Soft move, technology for smooth and precise handling

Article numbers

Art-no.
GB412060966L

EAN
7391530085524

Packaging information

Length: 440 mm | Width: 275 mm | Height: 75 mm

Weight: 1.7 kg

Weight: 1 pc

Assembling & Care

Prior to installation the lines must be flushed up to the faucet. The faucet is connected with the cold water line on the right and the hot water line on the left. Water pressure: max 1000 kPa, min 50kPa. Hot water temperature: max 70°C, min 45°C. Please note that we are not liable for damage resulting from improper installation.

Energy labeling and certifications

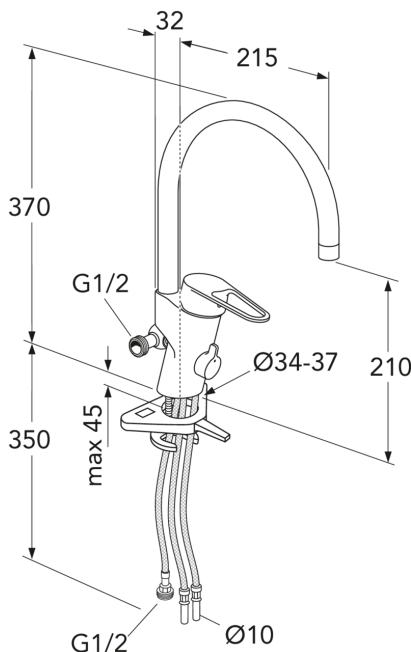


Denna produkt är anpassad till Branschregler SÄKER Vatteninstallation 2021:1. Leverantören garanterar produktens funktion om branschreglerna och monteringsanvisningarna följs.



Technical information

- Max. tap capacity (at 300 kPa): 0,1l/s
- Pressure loss with flow (0,1l/s) 300 kPa
- CO2 Footprint: 8.64 kg
- Standard connection dimension: 10mm



Spare parts



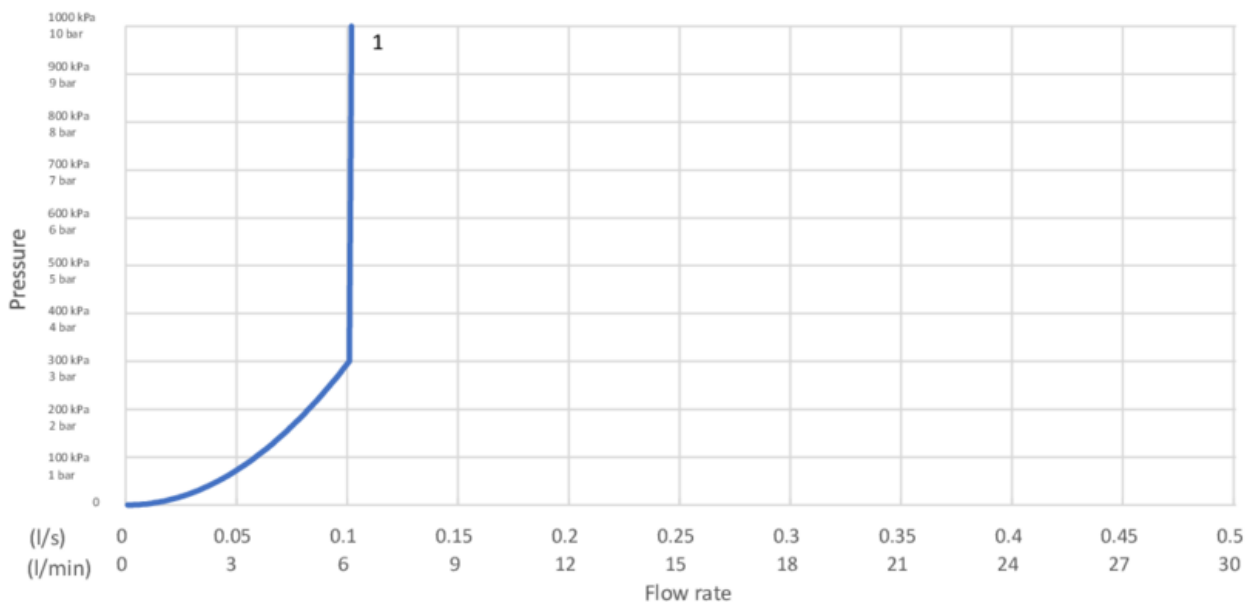
ExplodedView Nautic 2_kitchen
(Rev 1. 2021-01-20)

No.	Product	Art-no.
1	Lever, New Nautic 2021-->	GB41639803 01
2	Cover	GB41639523 01
3	Nut - ceramic package	GB41639522 01
4	Ceramic package	GB41637393
5	Ceramic Cartridge	GB41639567 01
6	Aerator	GB41630129 01
7	Aerator	GB41639610 01
8	Aerator	GB41639971 01
9	Swiveling limiter kit	GB41638450
10	O-ring set	GB41637010 01
11	Dishwasher shutdown	GB41639547 01
12	SoftPex hose	GB41639279 02
13	SoftPex hose	GB41638721 02
14	SoftPex hose	GB41638708 02
15	Softpex hose 440 mm	GB41638701 01
16	Mounting kit New Nautic	GB41639937 01
17	Spout	GB41637326 0
18	Single lever Care	GB41639801 01
19	Spout	GB41638474 01
21	Plug, countertop dishwasher connection	GB41639525 01

GUSTAVSBERG/

FLOW CHART/

Kök 6 l/min



- GB412060550L
- GB41206055064L
- GB412060560L
- GB41206056064L
- GB41206056RL
- GB412060950L
- GB41206095064L
- GB412060960L
- GB41206096064L
- GB412060966L

- Flowrate at 300 kPa:	0,1 l/s
- Pressure at flow 0,1 l/s:	300 kPa
- Pressure at flow 0,2 l/s:	N/A
- Pressure at flow 0,33 l/s:	N/A

Rev, 1, 2023-10-25 Gustavsberg Labb

Villeroy & Boch Gustavsberg AB / Box 400, 134 29 Gustavsberg / Phone +46 (0)8-570 391 00 / www.gustavsberg.com / info@gustavsberg.com