



Quality of life since 1825

Kitchen mixer Estetic

Matt black, lead-free, pull-of spout

Product features

LEAD-FREE

COLD-START

QUICK FIT



- Extendable design for increased reach and versatility, provides access to all areas of the sink
- Maximum flexibility with a pivoting spout, makes cooking and washing up easier. Locks for 0°, 60° and 110° are included
- Cold start technology for energy efficiency and comfort – eliminates unnecessary heat consumption and provides a safe mixer even for children

Article numbers

Art-no.
GB4120805953

EAN
7391530085746

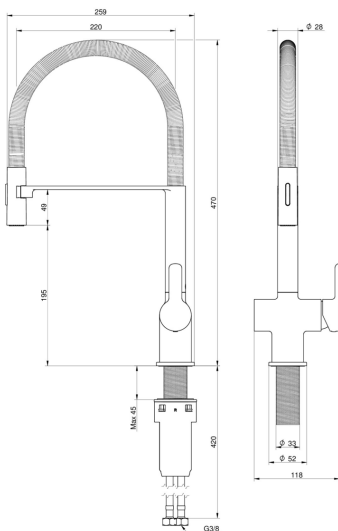
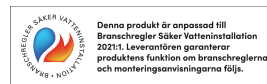
Packaging information

Length: 645 mm | Width: 350 mm | Height: 70 mm
Weight: 2.8 kg
Weight: 1 pc

Assembling & Care

Prior to installation the lines must be flushed up to the faucet. The faucet is connected with the cold water line on the right and the hot water line on the left. Water pressure: max 1000 kPa, min 50kPa. Hot water temperature: max 80°C, min 45°C. Please note that we are not liable for damage resulting from improper installation.

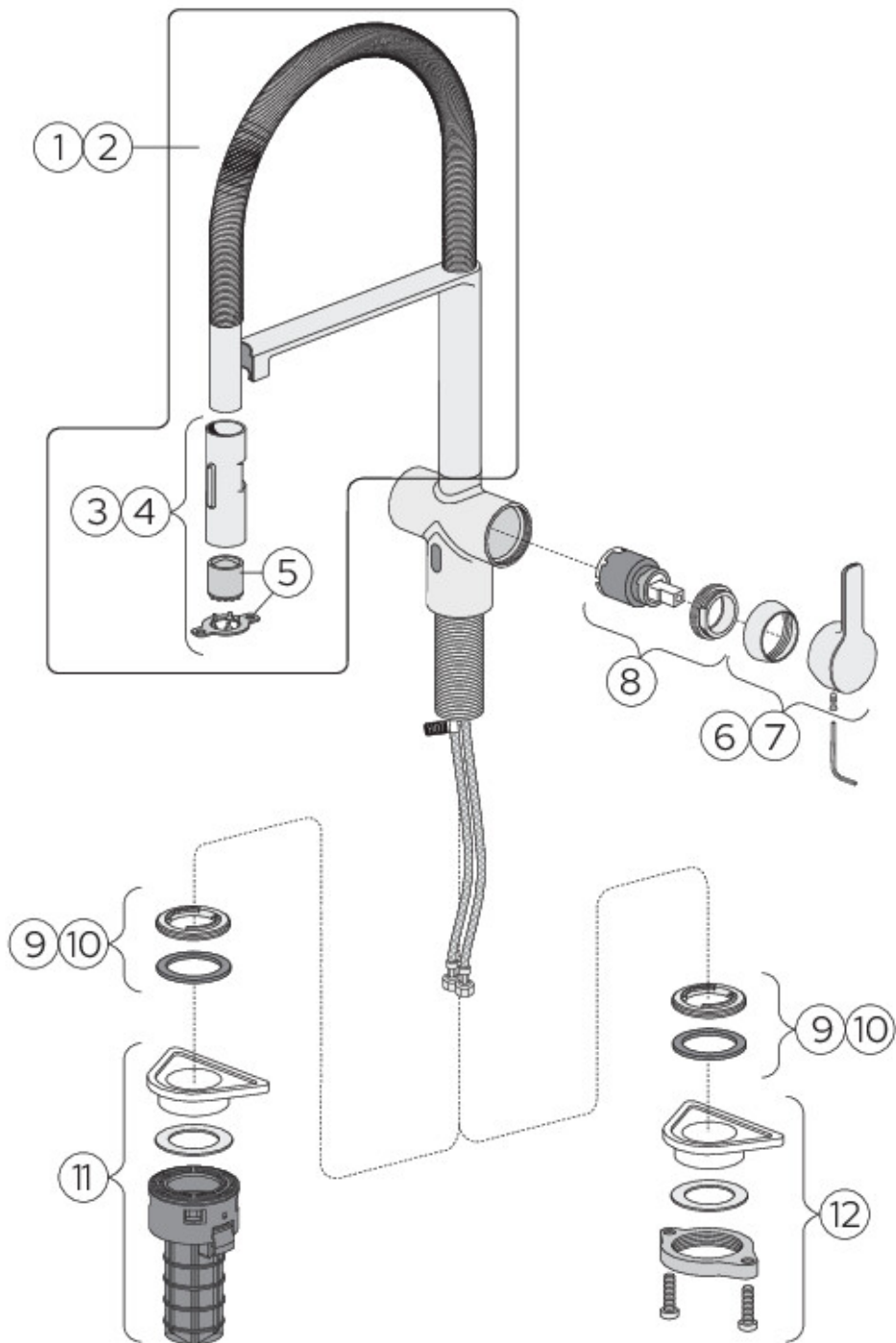
Energy labeling and certifications



Technical information

- Pressure, Flow & Temp: Maxflöde 300kPa: 0,1l/s
- Standard connection dimension: G3/8

Spare parts



ExplodedView Estetic_kitchen_Pull-off
(Rev 1. 2024-09-26)

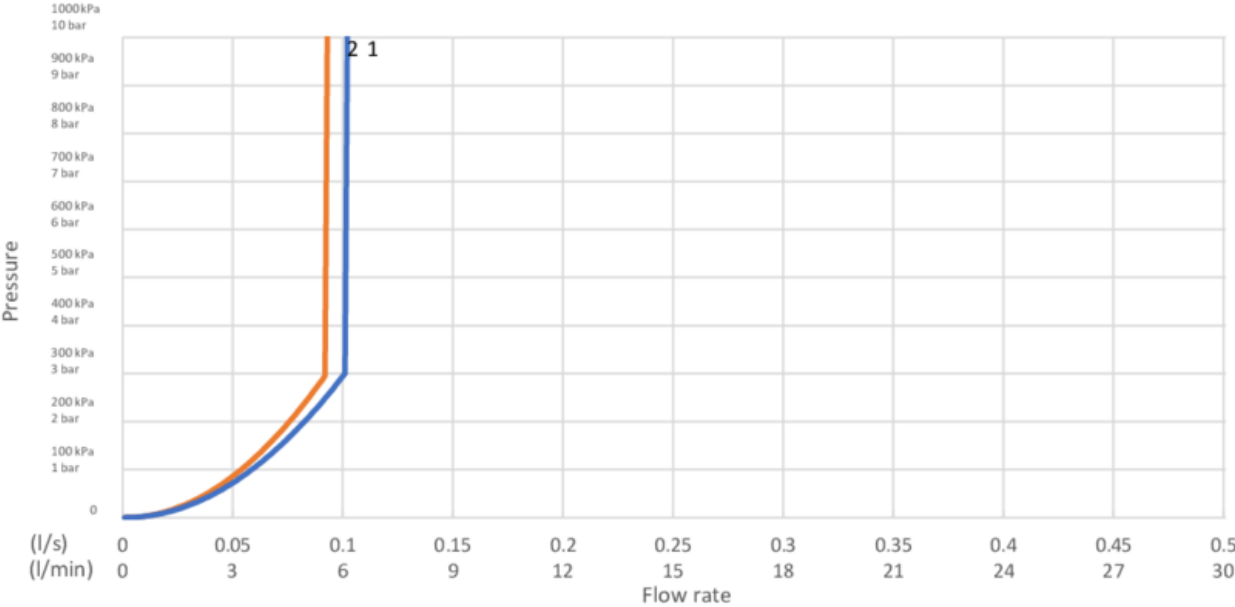
No.	Product	Art-no.
1	Pull-off spout Estetic kitchen	GB41650563
2	Pull-off spout Estetic kitchen	GB4165056353
3	Hand spray Estetic kitchen	GB41650561
4	Hand spray Estetic kitchen	GB4165056153
5	Areator Estetic kitchen	GB41650572
6	Lever Estetic kitchen	GB41650559
7	Lever Estetic kitchen	GB4165055953
8	Cartridge Estetic kitchen	GB41650567
9	Basing Estetic kitchen	GB41650558
10	Basing Estetic kitchen	GB4165055853
11	Fast assembly nut Estetic kitchen	GB41650564

GUSTAVSBERG/

FLOW CHART/

Estetic kitchen pull off spout

GUSTAVSBERG /
SMARTER BATHROOMS



- 1. Areated flow
- 2. Spray flow

1. Areated flow

- Flowrate at 300 kPa:	0,1 l/s
- Pressure at flow 0,1 l/s:	300 kPa
- Pressure at flow 0,2 l/s:	N/A
- Pressure at flow 0,33 l/s:	N/A

Rev, 1, 2024-08-07 Gustavsberg Labb

Villeroy & Boch Gustavsberg AB / Box 400, 134 29 Gustavsberg / Phone +46 (0)8-570 391 00 / www.gustavsberg.com / info@gustavsberg.com