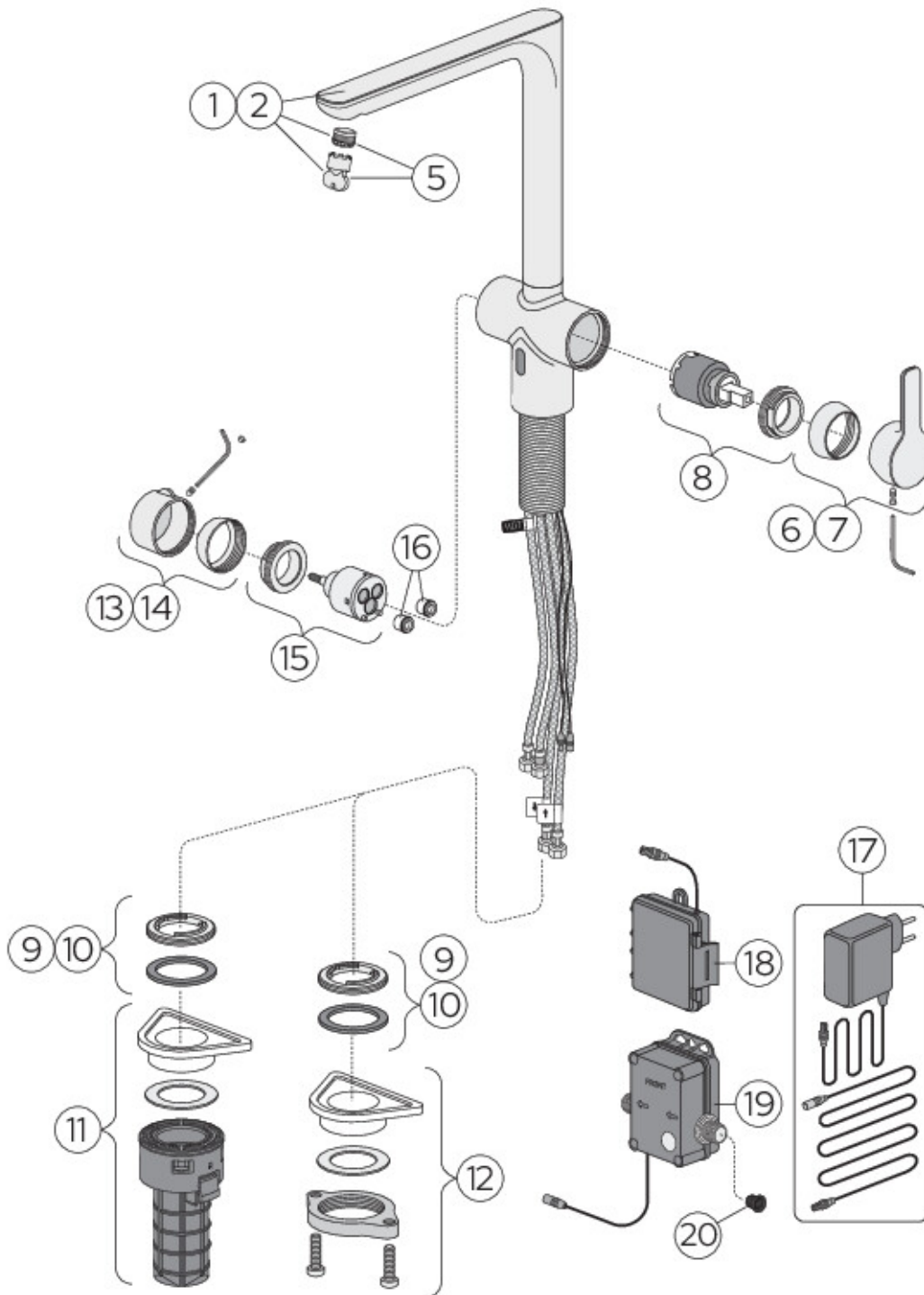


Spare parts



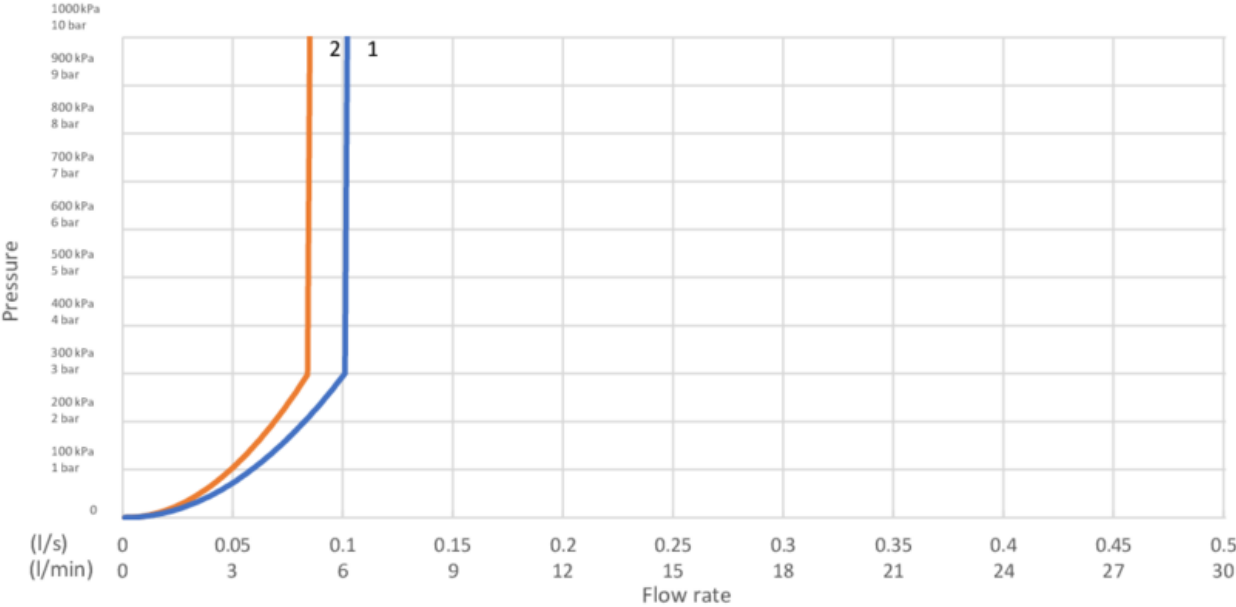
ExplodedView Estetic_DUO_kitchen_L-spout
(Rev 1. 2024-09-26)

No.	Product	Art-no.
1	Straight spout Estetic kitchen	GB41650562
2	Straight spout Estetic kitchen	GB4165056253
5	Areator Estetic kitchen	GB41650573
6	Lever Estetic kitchen	GB41650559
7	Lever Estetic kitchen	GB4165055953
8	Cartridge Estetic kitchen	GB41650567
9	Basing Estetic kitchen	GB41650558
10	Basing Estetic kitchen	GB4165055853
11	Fast assembly nut Estetic kitchen	GB41650564
13	Sensor knob Estetic kitchen	GB41650560
14	Sensor knob Estetic kitchen	GB4165056053
15	Sensor mixing valve Estetic kitchen	GB41650568
16	Check valve Ø10 mm 2pcs	GB4165057402
17	Power adapter Estetic kitchen	GB41650569
18	Battery box Estetic kitchen	GB41650570
19	Solenoid unit Estetic kitchen	GB41650571

GUSTAVSBERG/

FLOW CHART/

Esteic kitchen L-spout with sensor



- 1. Aerated flow
- 2. Aerated sensor flow

1. Aerated flow

- Flowrate at 300 kPa:	0,1 l/s
- Pressure at flow 0,1 l/s:	300 kPa
- Pressure at flow 0,2 l/s:	N/A
- Pressure at flow 0,33 l/s:	N/A

Rev, 1, 2024-08-07 Gustavsberg Labb

Villeroy & Boch Gustavsberg AB / Box 400, 134 29 Gustavsberg / Phone +46 (0)8-570 391 00 / www.gustavsberg.com / info@gustavsberg.com