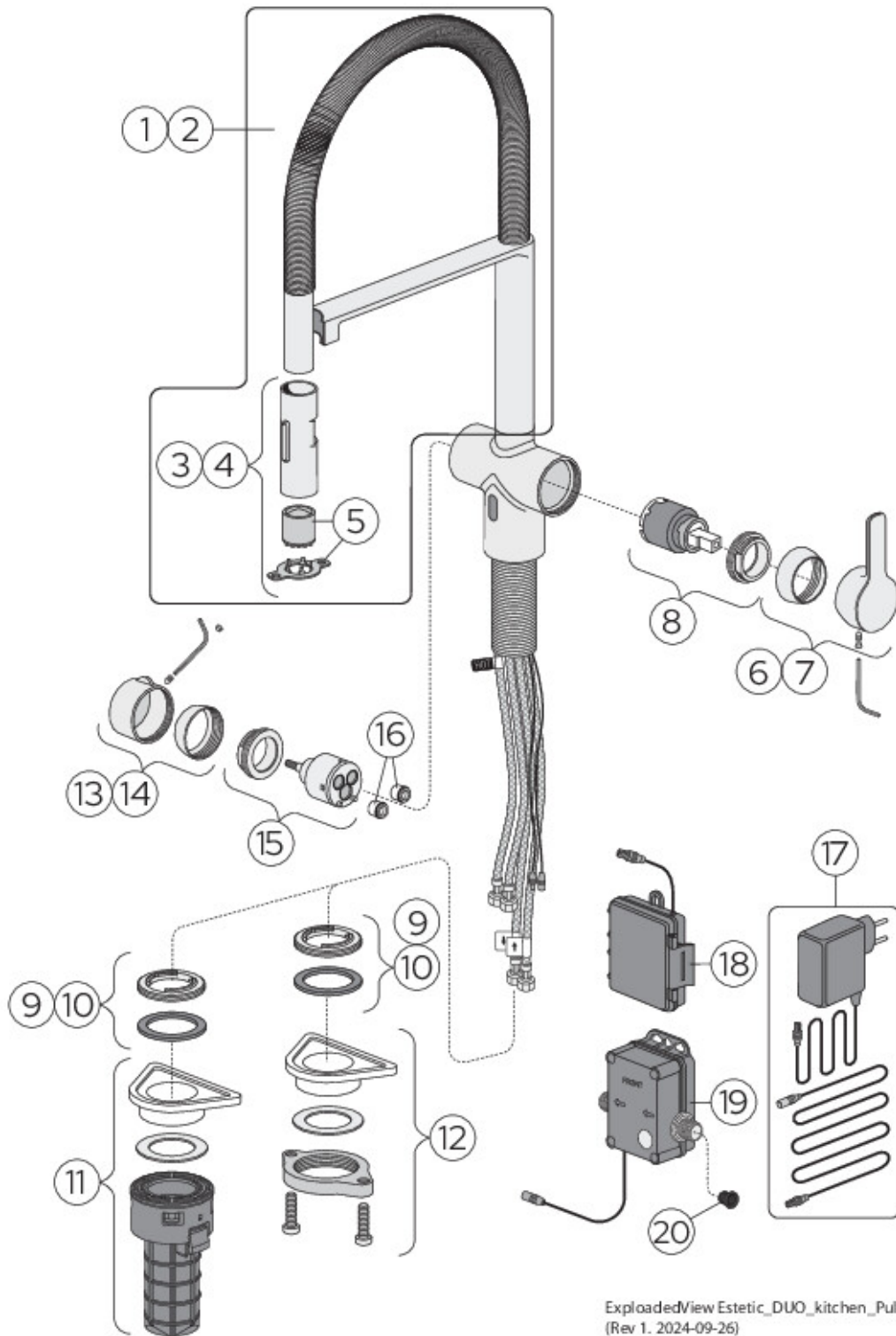


Spare parts



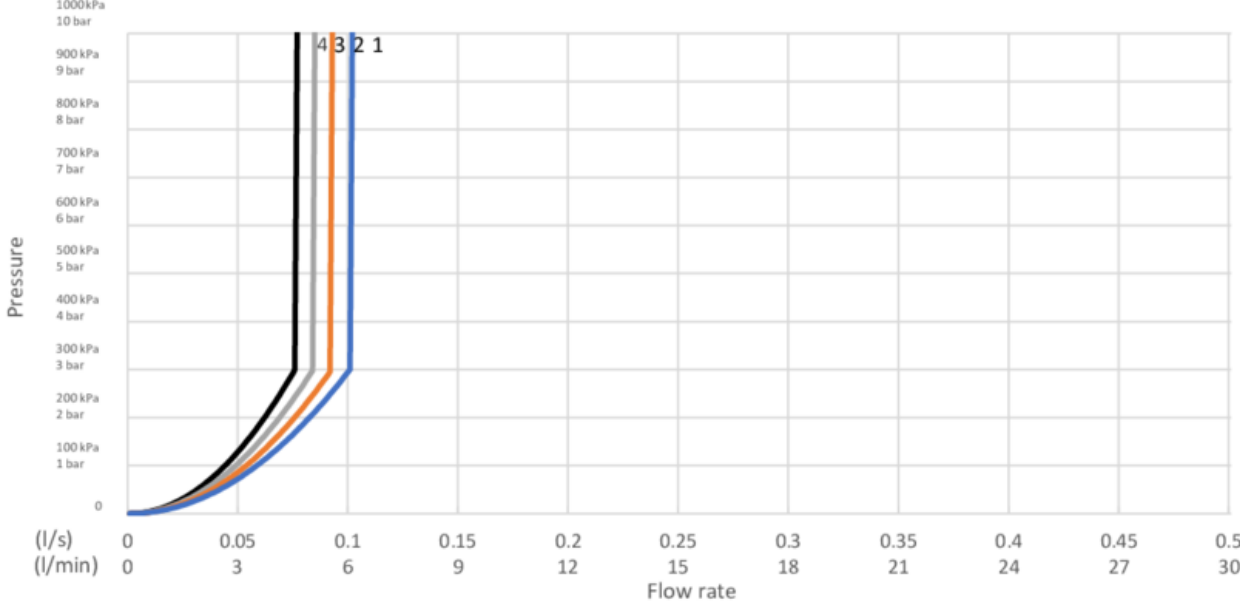
ExplodedView Estetic_DUO_kitchen_Pull-off
(Rev 1. 2024-09-26)

No.	Product	Art-no.
1	Pull-off spout Estetic kitchen	GB41650563
2	Pull-off spout Estetic kitchen	GB4165056353
3	Hand spray Estetic kitchen	GB41650561
4	Hand spray Estetic kitchen	GB4165056153
5	Aerator Estetic kitchen	GB41650572
6	Lever Estetic kitchen	GB41650559
7	Lever Estetic kitchen	GB4165055953
8	Cartridge Estetic kitchen	GB41650567
9	Basing Estetic kitchen	GB41650558
10	Basing Estetic kitchen	GB4165055853
11	Fast assembly nut Estetic kitchen	GB41650564
13	Sensor knob Estetic kitchen	GB41650560
14	Sensor knob Estetic kitchen	GB4165056053
15	Sensor mixing valve Estetic kitchen	GB41650568
16	Check valve Ø10 mm 2pcs	GB4165057402
17	Power adapter Estetic kitchen	GB41650569
18	Battery box Estetic kitchen	GB41650570
19	Solenoid unit Estetic kitchen	GB41650571

GUSTAVSBERG/

FLOW CHART/

Esteic kitchen pull off spout with sensor



- 1. Aerated flow
- 2. Spray Flow
- 3. Aerated sensor flow
- 4. Spray sensor flow

1. Aerated flow

- Flowrate at 300 kPa:	0,1 l/s
- Pressure at flow 0,1 l/s:	300 kPa
- Pressure at flow 0,2 l/s:	N/A
- Pressure at flow 0,33 l/s:	N/A

Rev, 1, 2024-08-07 Gustavsberg Labb

Villeroy & Boch Gustavsberg AB / Box 400, 134 29 Gustavsberg / Phone +46 (0)8-570 391 00 / www.gustavsberg.com / info@gustavsberg.com