



Quality of life since 1825

Suihkusetti Ducentic

150 c-c

Tuotteen ominaisuudet

- Perinteisen ja modernin muotoilun innoittamana
- Mahtava suihkokokemus
- Saatavana kiillotettuna messinkinä ja kromisena

Artikkelien numero

Art.nr.
GB41217036

EAN
7391530088068

Pakkaustiedot

Pituus: 745 mm | Leveys: 368 mm | Korkeus: 94 mm
Paino: 5.6 kg
Pakkauksen numero: 1 pc

Kokoaminen & hoito

Energiamerkintä ja -sertifiointi



CERTIFIERING
KONTROLL

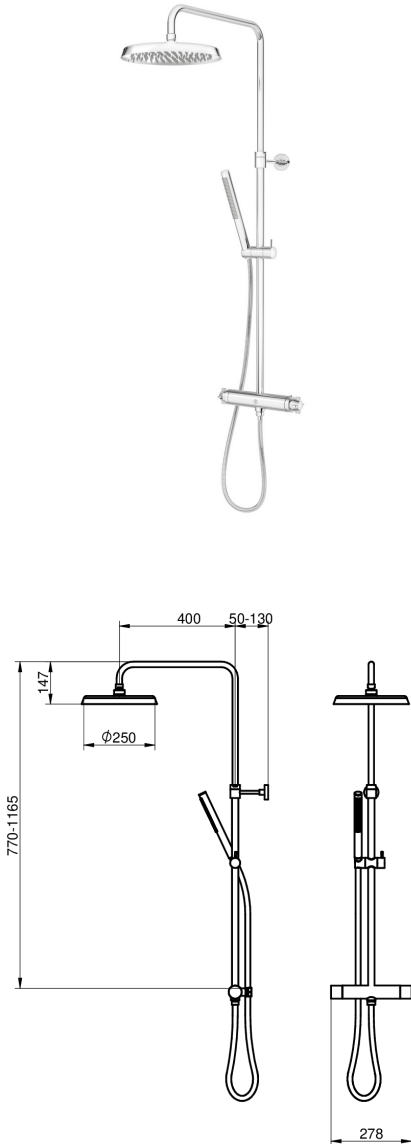


Denna produkt är anpassad till
Branschregler Säker Vatteninstallation
2025:1. Leverantören garanterar
produktens funktion om branschreglerna
och monteringsanvisningarna följs.



Tekniset tiedot

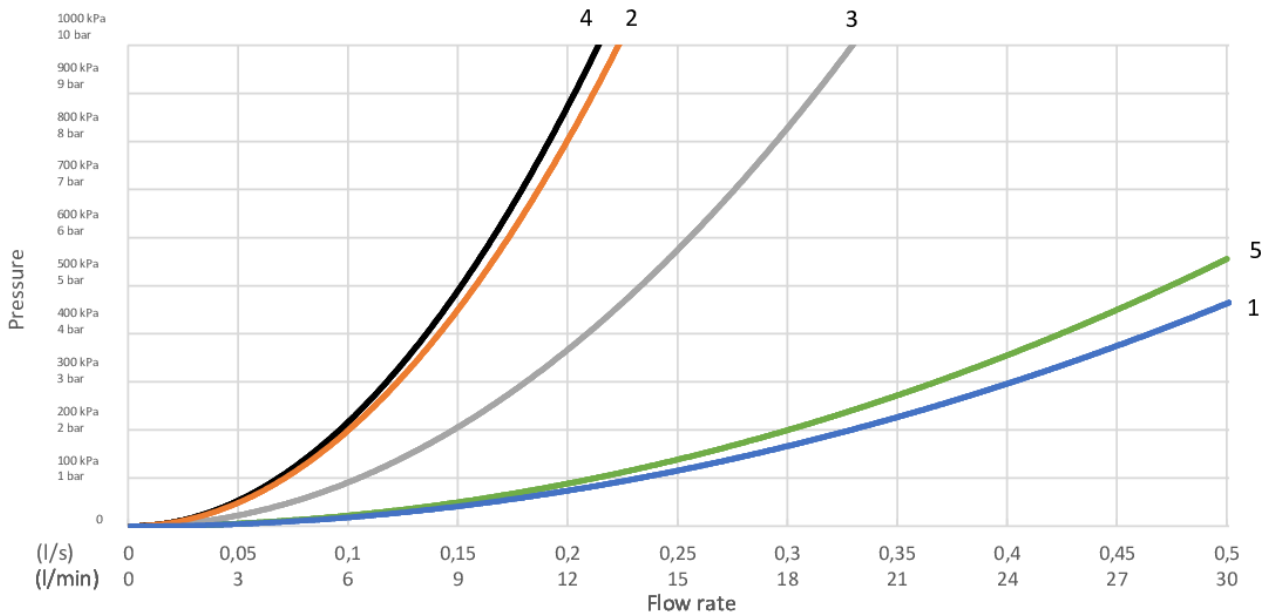
- Max. tap capacity (at 300 kPa): 0,402 l/s
- Pressure loss with flow (0,33 l/s) 203 kPa



GUSTAVSBERG/

FLOW CHART/

Ducentic shower column



- 1. Max flow (bath and shower outlet)
- 2. Ducentic hand shower
- 3. Ducentic head shower
- 4. Ducentic hand shower + diverter spout GB41650638
- 5. Diverter spout GB41650638, bath outlet

1. Max flow (bath and shower outlet)	2. Ducentic hand shower
- Flow rate at 300 kPa: 0,402 l/s	- Flow rate at 300 kPa: 0,122 l/s
- Pressure at flow 0,1 l/s: 19 kPa	- Pressure at flow 0,1 l/s: 203 kPa
- Pressure at flow 0,2 l/s: 74 kPa	- Pressure at flow 0,2 l/s: 811 kPa
- Pressure at flow 0,33 l/s: 203 kPa	- Pressure at flow 0,33 l/s: N/A

3. Ducentic head shower	4. Ducentic hand shower + diverter spout GB41650638
- Flow rate at 300 kPa: 0,18 l/s	- Flow rate at 300 kPa: 0,117 l/s
- Pressure at flow 0,1 l/s: 93 kPa	- Pressure at flow 0,1 l/s: 220 kPa
- Pressure at flow 0,2 l/s: 370 kPa	- Pressure at flow 0,2 l/s: 882 kPa
- Pressure at flow 0,33 l/s: N/A	- Pressure at flow 0,33 l/s: N/A

5. Diverter spout GB41650638, bath outlet
- Flow rate at 300 kPa: 0,367 l/s
- Pressure at flow 0,1 l/s: 22 kPa
- Pressure at flow 0,2 l/s: 89 kPa
- Pressure at flow 0,33 l/s: 243 kPa

Rev, 1, 2025-12-16 Gustavsberg Lab

Gustavsberg AB / Box 400, 134 29 Gustavsberg / Phone +46 (0)8-570 391 00 / www.gustavsberg.com / info@gustavsberg.com