



Quality of life since 1825

Shower column Ducentic

150 c-c, Polished brass

Product features

- Inspired by traditional and modern design
- Great shower experience
- Available in Polished Brass and Chrome

Article numbers

Art-no.
GB4121703619

EAN
7391530088075

Packaging information

Length: 745 mm | Width: 368 mm | Height: 94 mm
Weight: 5.6 kg
Weight: 1 pc

Assembling & Care

Energy labeling and certifications



CERTIFIERING
KONTROLL

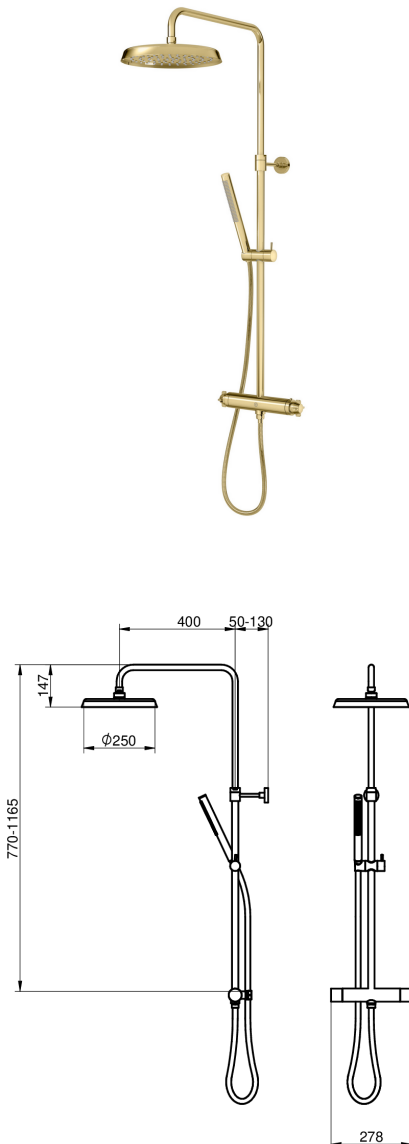


Denna produkt är anpassad till
Branschregler Saker Vatteninstallation
2025:1. Leverantören garanterar
produktens funktion om branschreglerna
och monteringsanvisningarna följs.



Technical information

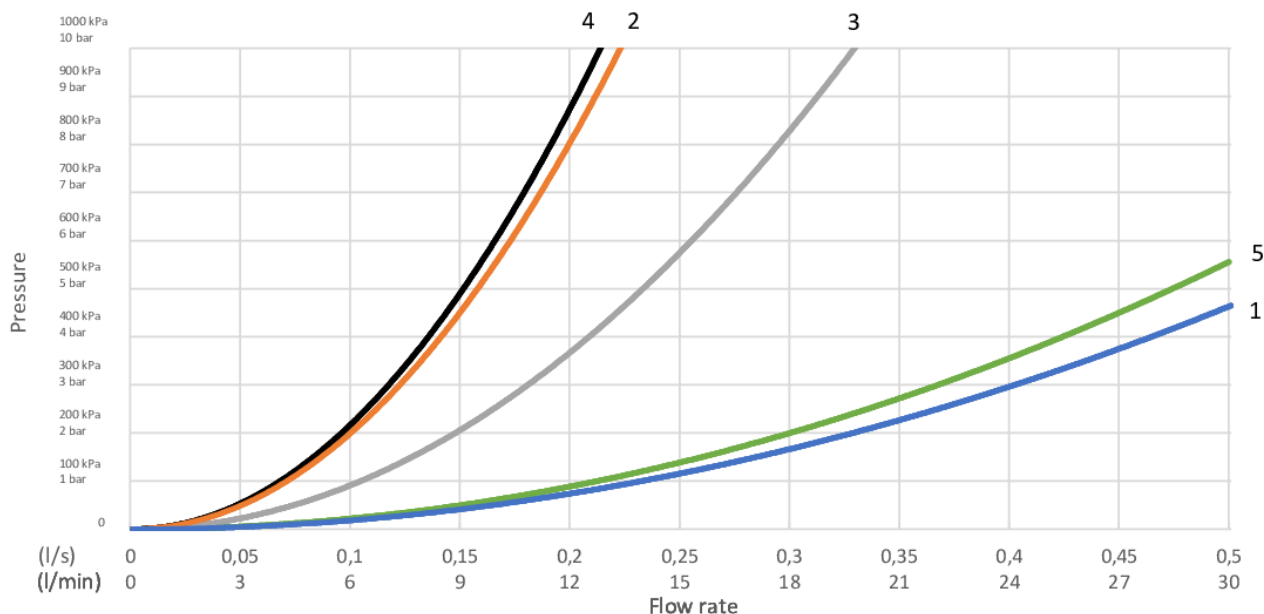
- Max. tap capacity (at 300 kPa): 0,402 l/s
- Pressure loss with flow (0,33 l/s) 203 kPa



GUSTAVSBERG/

FLOW CHART/

Ducentic shower column



- 1. Max flow (bath and shower outlet)
- 2. Ducentic hand shower
- 3. Ducentic head shower
- 4. Ducentic hand shower + diverter spout GB41650638
- 5. Diverter spout GB41650638, bath outlet

1. Max flow (bath and shower outlet)		2. Ducentic hand shower	
- Flow rate at 300 kPa:	0,402 l/s	- Flow rate at 300 kPa:	0,122 l/s
- Pressure at flow 0,1 l/s:	19 kPa	- Pressure at flow 0,1 l/s:	203 kPa
- Pressure at flow 0,2 l/s:	74 kPa	- Pressure at flow 0,2 l/s:	811 kPa
- Pressure at flow 0,33 l/s:	203 kPa	- Pressure at flow 0,33 l/s:	N/A

3. Ducentic head shower		4. Ducentic hand shower + diverter spout GB41650638	
- Flow rate at 300 kPa:	0,18 l/s	- Flow rate at 300 kPa:	0,117 l/s
- Pressure at flow 0,1 l/s:	93 kPa	- Pressure at flow 0,1 l/s:	220 kPa
- Pressure at flow 0,2 l/s:	370 kPa	- Pressure at flow 0,2 l/s:	882 kPa
- Pressure at flow 0,33 l/s:	N/A	- Pressure at flow 0,33 l/s:	N/A

5. Diverter spout GB41650638, bath outlet	
- Flow rate at 300 kPa:	0,367 l/s
- Pressure at flow 0,1 l/s:	22 kPa
- Pressure at flow 0,2 l/s:	89 kPa
- Pressure at flow 0,33 l/s:	243 kPa

Rev, 1, 2025-12-16 Gustavsberg Lab

Gustavsberg AB / Box 400, 134 29 Gustavsberg / Phone +46 (0)8-570 391 00 / www.gustavsberg.com / info@gustavsberg.com