



Quality of life since 1825

# Suihkusetti Ducentic

150 c-c, kiillotettu messinki

## Tuotteen ominaisuudet

- Perinteisen ja modernin muotoilun innoittamana
- Mahtava suihkukokemus
- Saatavana kiillotettuna messinkinä ja kromisena

## Artikkelien numero

Art.nr.  
GB4121703619

EAN  
7391530088075

## Pakkaustiedot

Pituus: 745 mm | Leveys: 368 mm | Korkeus: 94 mm  
Paino: 5.6 kg  
Pakkauksen numero: 1 pc

## Kokoaminen & hoito

## Energiamerkintä ja -sertifiointi

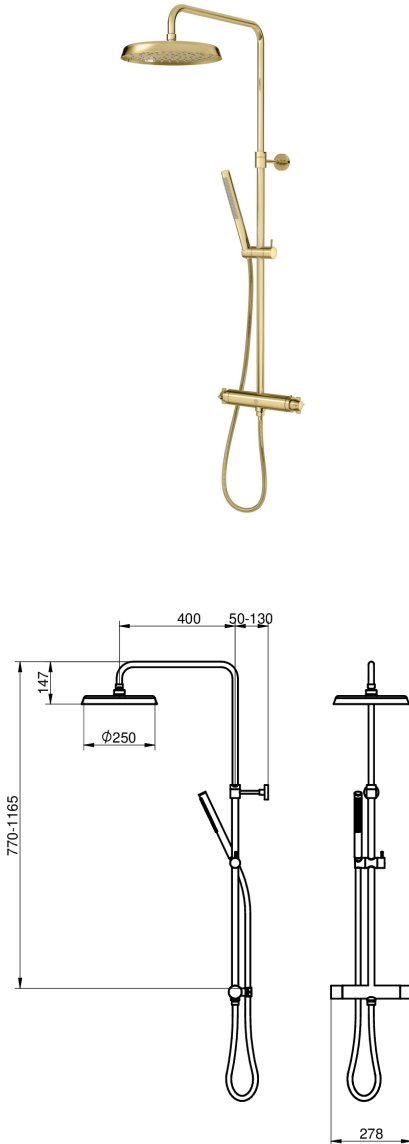


Denna produkt är anpassad till  
Branschregler Säker Vatteninstallation  
2025:1. Leverantören garanterar  
produktens funktion om branschreglerna  
och monteringsanvisningarna följs.



## Tekniset tiedot

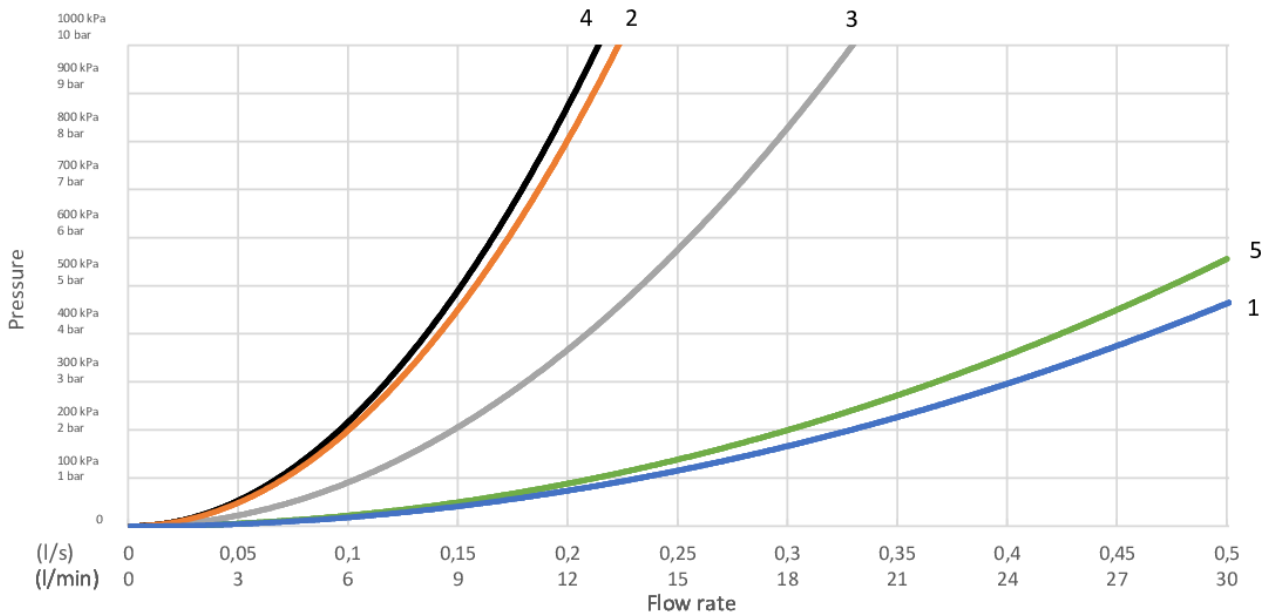
- Max. tap capacity (at 300 kPa): 0,402 l/s
- Pressure loss with flow (0,33 l/s) 203 kPa



# GUSTAVSBERG/

## FLOW CHART/

### Ducentic shower column



- 1. Max flow (bath and shower outlet)
- 2. Ducentic hand shower
- 3. Ducentic head shower
- 4. Ducentic hand shower + diverter spout GB41650638
- 5. Diverter spout GB41650638, bath outlet

1. Max flow (bath and shower outlet)	2. Ducentic hand shower
- Flow rate at 300 kPa: 0,402 l/s	- Flow rate at 300 kPa: 0,122 l/s
- Pressure at flow 0,1 l/s: 19 kPa	- Pressure at flow 0,1 l/s: 203 kPa
- Pressure at flow 0,2 l/s: 74 kPa	- Pressure at flow 0,2 l/s: 811 kPa
- Pressure at flow 0,33 l/s: 203 kPa	- Pressure at flow 0,33 l/s: N/A

3. Ducentic head shower	4. Ducentic hand shower + diverter spout GB41650638
- Flow rate at 300 kPa: 0,18 l/s	- Flow rate at 300 kPa: 0,117 l/s
- Pressure at flow 0,1 l/s: 93 kPa	- Pressure at flow 0,1 l/s: 220 kPa
- Pressure at flow 0,2 l/s: 370 kPa	- Pressure at flow 0,2 l/s: 882 kPa
- Pressure at flow 0,33 l/s: N/A	- Pressure at flow 0,33 l/s: N/A

5. Diverter spout GB41650638, bath outlet
- Flow rate at 300 kPa: 0,367 l/s
- Pressure at flow 0,1 l/s: 22 kPa
- Pressure at flow 0,2 l/s: 89 kPa
- Pressure at flow 0,33 l/s: 243 kPa

Rev, 1, 2025-12-16 Gustavsberg Lab

Gustavsberg AB / Box 400, 134 29 Gustavsberg / Phone +46 (0)8-570 391 00 / www.gustavsberg.com / info@gustavsberg.com